



Heyco® Nylon Conduit Fittings

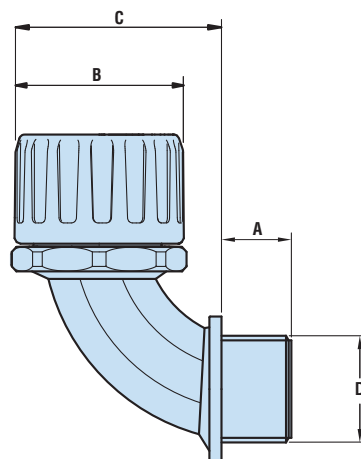
90° Sweep, NPT Hubs

For Flexible, Corrugated Nylon Conduit/Tubing

- Unitary design and assembled shipment allows fast fit.
- No threading of the conduit or tubing is required to install.
- For use with Heyco Nylon Corrugated Conduit/Tubing. See pages 2-19 and 2-20.
- Suitable for use with both coarse and/or fine pitch conduit/tubing.
- Protection class IP 66 per EN 60529 including high pressure water jet from any angle.
- Suitable for use by original equipment manufacturers.
- All nylon construction resists salt water, weak acids, gasoline, alcohol, oil, grease and common solvents. (This feature is not assessed by UL certification or testing.)
- Vibration and tamper resistant, but easily removed with a screwdriver.
- **Locknuts not included.** See page 2-12 for Nylon Locknuts.

| FITS CONDUIT SIZE | PART NO. | DESCRIPTION | THREAD SIZE | PART DIMENSIONS BODY AND SEALING UNIT | | | | | | | |
|-------------------|--------------|---------------|-------------|---------------------------------------|--------------------|------------------|----------------|-------|------|-------|------|
| | | | | A | | B | | C | | D | |
| | | | | Thread Length | Max. O.A. Diameter | Max. O.A. Length | Clearance Hole | | | | |
| 16 mm | F8606 | FPA 16-050-90 | 1/2 NPT | .512 | 13,0 | 1.122 | 28,5 | 1.476 | 37,5 | .875 | 22,2 |
| 21 mm | F8610 | FPA 21-050-90 | 1/2 NPT | .512 | 13,0 | 1.260 | 32,0 | 1.555 | 39,5 | | |
| 28 mm | F8616 | FPA 28-075-90 | 3/4 NPT | .591 | 15,0 | 1.732 | 44,0 | 1.988 | 50,0 | 1.109 | 28,2 |
| 34 mm | F8620 | FPA 34-100-90 | 1 NPT | .630 | 16,0 | 1.988 | 50,5 | 2.303 | 58,5 | 1.375 | 34,9 |
| 42 mm | F8622 | FPA 42-125-90 | 1-1/4 NPT | .630 | 16,0 | 2.469 | 62,7 | 3.150 | 80,0 | | |
| 42 mm | F8624 | FPA 42-150-90 | 1-1/2 NPT | .669 | 17,0 | 2.469 | 62,7 | 3.228 | 82,0 | 1.984 | 50,4 |
| 67 mm | F8630 | FPA 67-200-90 | 2 NPT | .728 | 18,5 | 3.543 | 90,0 | 3.740 | 95,0 | 2.469 | 62,7 |

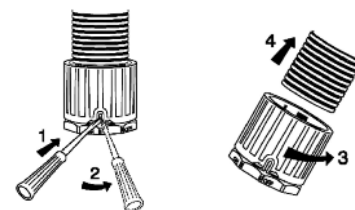
Standard color black. Consult Heyco for other colors.



Assembly instructions:



Removal instructions:



Quick Specs

| | |
|---------------------|---|
| Material | Nylon 6/6 |
| Certifications | Recognized under Underwriters' Laboratories File E229161 Approved as per EN50086 |
| Flammability Rating | 94V-2 and Low Fire Hazard Including Low Smoke, Low Toxicity as well as Halogen, Sulphur, and Phosphorus Free |
| Temperature Rating | The temperature rating for all FPA fittings meets or exceeds that for all Heyco Nylon Corrugated Conduit/Tubing |
| IP Rating | IP 66 standard as per EN60529 IP 66, 67, & 68 available—consult factory and specify FPA fittings |

X-ON Electronics

Largest Supplier of Electrical and Electronic Components

Click to view similar products for [Wire Ducting](#) category:

Click to view products by [Heyco](#) manufacturer:

Other Similar products are found below :

[66200A-10](#) [CVED32VEPG](#) [CVED40VEPG](#) [F512D5-5F140Y](#) [F512D5-5F200Y](#) [F512D5-5F26Y](#) [F512D5-5F30Y](#) [F512D5-5F33Y](#) [F512D5-5F34Y](#) [F512D5-5F45Y](#) [F512D5-5F50Y](#) [F512D5-5F54Y](#) [F512D5-5F66Y](#) [F512D5-5F70Y](#) [F512D5-5F75Y](#) [F512D5-5F90Y](#) [F612D5-5F100Y](#) [F612D5-5F130Y](#) [F612D5-5F50Y](#) [F612D5-5F56Y](#) [F612D5-5F58Y](#) [F6L12D5-5F46](#) [F912D5-5F11Y](#) [F912D5-5F170Y](#) [F912D5-5F175Y](#) [F912D5-5F230Y](#) [F912D5-5F300Y](#) [F912D5-5F55Y](#) [F912D5-5F56Y](#) [F912D5-5F63Y](#) [F912D5-5F6Y](#) [F912D5-5F75Y](#) [F912D5-5F85Y](#) [F912D5-5F86Y](#) [F912D5-5F88Y](#) [F912D5-5F96Y](#) [FAP0047WBLMTP](#) [FAP12WBRDRDDLZ](#) [FAP12WDYLYLDLZ](#) [FAP12WEORORDLZ](#) [FAP6WEORORDLZ](#) [FAP6WFDBDBDLZ](#) [FAP8WEORORDLZ](#) [FCE2UWCL](#) [800A-LB](#) [802A-ECSP](#) [802I-ICSP](#) [FJQADH](#) [FJQFXT](#) [PED10](#)