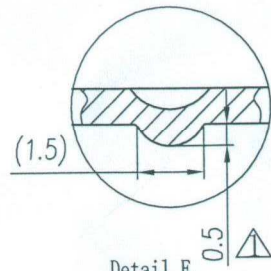
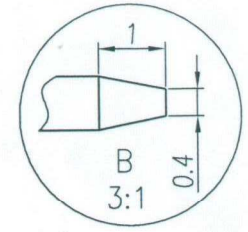
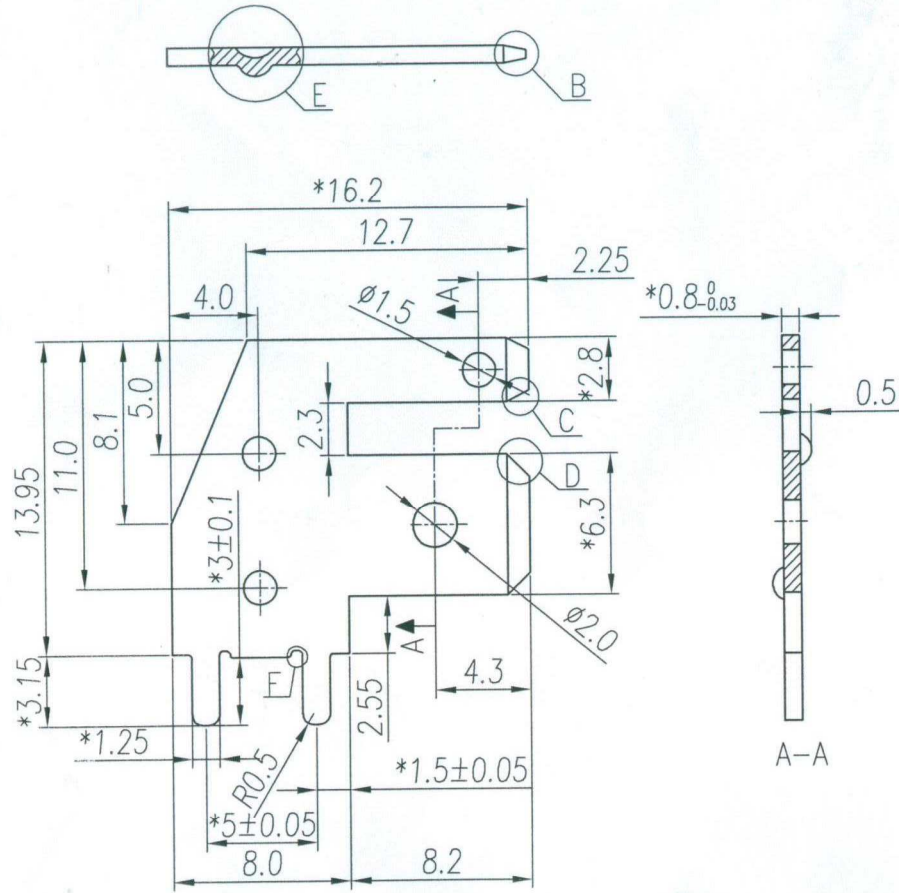
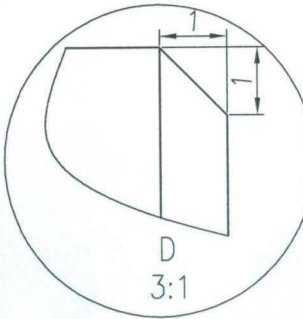
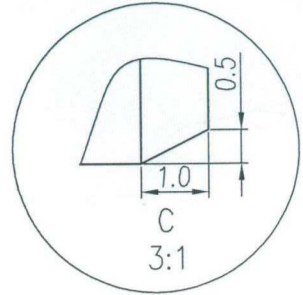


REVISION RECORD				
REV	ECD	DESCRIPTION	DRFT	DATE
△		工艺突点高由0.2改为0.5	YHG	09/27/08

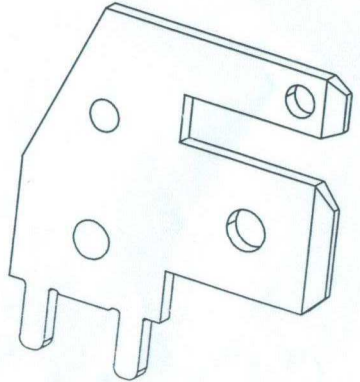
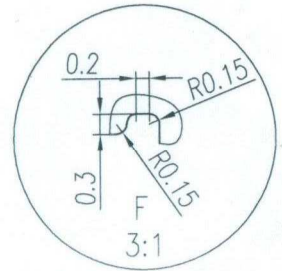


Detail E  
Scale:2:1  
add a point which can make a better effect when plating



- Notes:
1. Material: H62 Brass, T=0.8mm;
  2. Plating: Cu plated at the bottom is more than 1um; Ni plated on the surface is more than 0.3um; Sn plated at the bottom is more than 4um;
  3. Undimensioned Tolerances:

Pitch range in mm		Nominal dimension range in mm					
to	over	over	over	over	over	over	
6	10	10	30	60	100	150	mm
±0.10	±0.15	±0.25	±0.2	±0.3	±0.5	±0.7	±1.0
							0.005/0.010



1	K33	C3310	Brass	SnCe	
ITEM	NAME OF PART	NO. OF PART	Q'TY	MATERIAL	NOTES
TOLERANCES EXCEPT AS NOTED		DATE 07/07/15	DEGSON 宁波高正电子有限公司 DEGSON ELECTRONICS CO., LTD		
NAME		DATE 09/27/08	K33-00A (H)		
MATERIAL		G.E.	DRAWING NO. K33-E01		
FINISH		SCALE 1:1	/PART NO.		SIZE A4
THIRD ANGLE PROJECTION		DO NOT SCALE DRAWING	SHEET 1		REV T1-1
			OF 1		07/07/15

## X-ON Electronics

Largest Supplier of Electrical and Electronic Components

*Click to view similar products for [Terminals](#) category:*

*Click to view products by [Degson](#) manufacturer:*

Other Similar products are found below :

[HT-13-10](#) [71M-250-32-NB](#) [01-2065-1-0216](#) [00581P0075](#) [M10-10RX](#) [M10BCK](#) [60205-1](#) [604200-1](#) [60598-1-CUT-TAPE](#) [60617-1-C](#) [60873-1](#) [M14-516R/SK](#) [M14-6RSX](#) [M18-10FLX](#) [M18-8FBX](#) [M18-8R/LX](#) [M18BCK](#) [61314-6-C](#) [61-S](#) [61-SN-A](#) [62-NBM-A](#) [63-S](#) [640179-1](#) [640917-2-CUT-TAPE](#) [6501550002](#) [66107-2-C](#) [66107-4-C](#) [696683-1](#) [696834-1](#) [696861-1](#) [696931-1](#) [696999-1](#) [M8-516RK](#) [M86700006](#) [MA250DMFMX-A](#) [701-2007](#) [701-2307](#) [701-7761-03](#) [70F-110-32-PB](#) [718-N-A](#) [71M-187-20-NBL](#) [71M-250-32-NBL](#) [72F-187-20-NBL](#) [72M-250-32-NBL](#) [7310](#) [73F-250-32](#) [73F-250-32-NBL](#) [73F-250-32-NL](#) [F14-10C](#) [F-1M](#)