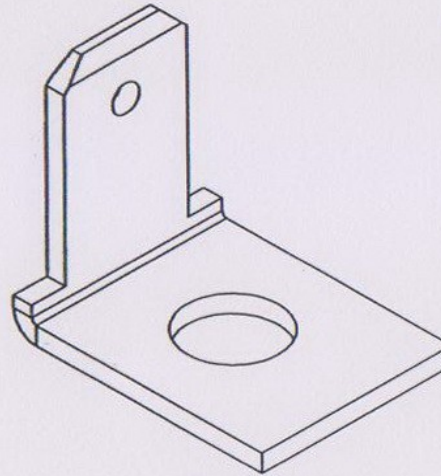
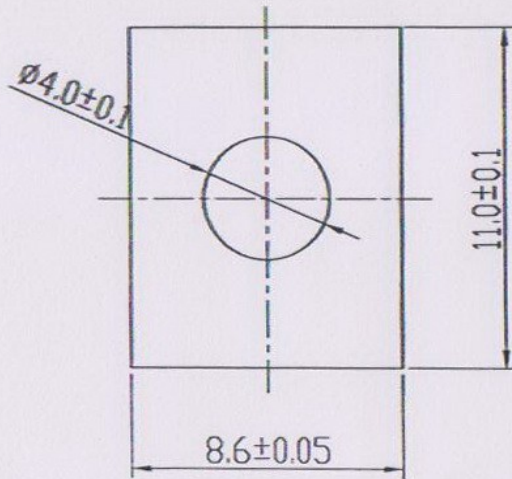
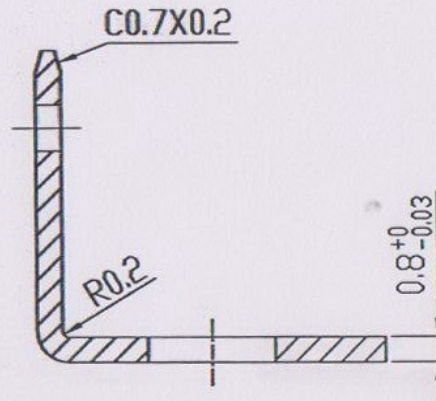
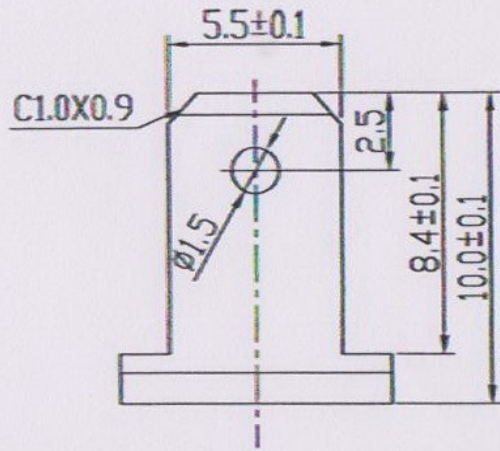


REVISION RECORD				
REV	ECO	DESCRIPTION	DRFT	DATE



Notes:

1. Material: H62 H/2, T=0.8mm;
2. Plating: Cu plated at the bottom is more than 2um; Ni plated on the surface is more than 2um; Sn plated at the bottom is more than 4um;
3. Undimensioned Tolerances:

Pitch range in mm	Nominal dimension range in mm						—
	over 6 to 6	over 10 to 10	over 10 to 24	over 30 to 30	over 60 to 60	over 100 to 150	
±0.10	±0.15	±0.25	±0.2	±0.3	±0.5	±0.7	±1.0 0.05/10



1	K7	C0710		H62	SnCe
ITEM	NAME OF PART	NO. OF PART	Q'TY	MATERIAL	NOTES
MM (CINCH) TOLERANCES EXCEPT AS NOTED MM ± .2 ± .1 ± .05 ANGLES ± 1° THIRD ANGLE PROJECTION		DFTD YHG CHKD WY MFD APPVL Hany G.E. FINISH SCALE 1:1	DATE 11/11/08 DATE 10-30-09 DATE DATE 10/30/09	宁波高正电子有限公司 DEGSON® DEGSON ELECTRONICS CO., LTD NAME K7-00A(H) DRAWING NO. K7-E01 /PART NO. DD NOT SCALE DRAWING	
SIZE A4 REV TO 10/23/09			SHEET 1 OF 1		

## X-ON Electronics

Largest Supplier of Electrical and Electronic Components

*Click to view similar products for [Terminals](#) category:*

*Click to view products by [Degson](#) manufacturer:*

Other Similar products are found below :

[HT-13-10](#) [71M-250-32-NB](#) [01-2065-1-0216](#) [00581P0075](#) [M10-10RX](#) [M10BCK](#) [60205-1](#) [604200-1](#) [60598-1-CUT-TAPE](#) [60617-1-C](#) [60873-1](#) [M14-516R/SK](#) [M14-6RSX](#) [M18-10FLX](#) [M18-8FBX](#) [M18-8R/LX](#) [M18BCK](#) [61314-6-C](#) [61-S](#) [61-SN-A](#) [62-NBM-A](#) [63-S](#) [640179-1](#) [640917-2-CUT-TAPE](#) [6501550002](#) [66107-2-C](#) [66107-4-C](#) [696683-1](#) [696834-1](#) [696861-1](#) [696931-1](#) [696999-1](#) [M8-516RK](#) [M86700006](#) [MA250DMFMX-A](#) [701-2007](#) [701-2307](#) [701-7761-03](#) [70F-110-32-PB](#) [718-N-A](#) [71M-187-20-NBL](#) [71M-250-32-NBL](#) [72F-187-20-NBL](#) [72M-250-32-NBL](#) [7310](#) [73F-250-32](#) [73F-250-32-NBL](#) [73F-250-32-NL](#) [F14-10C](#) [F-1M](#)