

# Three-phase Voltage and Phase-sequence Phase-loss Relay

## K8AK-PM

**Ideal for Monitoring 3-phase Power Supplies for Industrial Facilities and Equipment.**



- Greater resistance to inverter noise. **NEW**
- Monitor overvoltages, undervoltages, phase sequence, and phase loss for three-phase 3-wire or 4-wire power supplies with just one Unit.  
Switch setting for 3-phase 3-wire or 3-phase 4-wire power supply.
- Two SPDT output relays, 5 A at 250 VAC (resistive load).  
Output overvoltages and undervoltages using separate relays.
- World-wide power specifications supported by one Unit (switchable).
- Output status can be monitored using LED indicator.



For the most recent information on models that have been certified for safety standards, refer to your OMRON website.

Refer to *Safety Precautions* on page 10.  
Refer to page 8 to 9 for commonly asked questions.

## Ordering Information

### List of Models

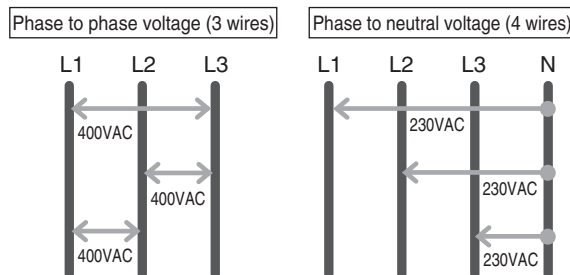
| Rated input*        |                        | Model    |
|---------------------|------------------------|----------|
| 3-phase 3-wire mode | 200, 220, 230, 240 VAC | K8AK-PM1 |
| 3-phase 4-wire mode | 115, 127, 133, 138 VAC |          |
| 3-phase 3-wire mode | 380, 400, 415, 480 VAC | K8AK-PM2 |
| 3-phase 4-wire mode | 220, 230, 240, 277 VAC |          |

**Note:** Three-phase 3-wire or 4-wire and the input range are switched using a DIP switch.

\* The power supply voltage is the same as the rated input voltage.

### ●Single K8AK Monitors 3-phase Power Supply with 3 or 4 Wires

Monitoring Relays can be used to monitor 3-phase power supplies with 3 or 4 wires simply by changing DIP switch settings.



**A Single K8AK Can Monitor a 3-phase Power Supply Anywhere in the World**

**Reduces Maintenance Parts Inventory**

|          | SW3 |     |     | ON    | OFF   | ON    | OFF   |
|----------|-----|-----|-----|-------|-------|-------|-------|
|          | SW4 |     |     | ON    | ON    | OFF   | OFF   |
| K8AK-PM1 | SW2 | ON  | P-N | 138 V | 133 V | 127 V | 115 V |
|          |     | OFF | P-P | 240V  | 230 V | 220 V | 200 V |
| K8AK-PM2 | SW2 | ON  | P-N | 277 V | 240 V | 230 V | 220 V |
|          |     | OFF | P-P | 480 V | 415 V | 400 V | 380 V |

# K8AK-PM

## Ratings and Specifications

### Ratings

|   |                          |   |
|---|--------------------------|---|
| Rated input voltage                         | K8AK-PM1                 | Three-phase, three-wire Mode: 200, 220, 230 and 240 VAC<br>Three-phase, four-wire Mode: 115, 127, 133 and 138 VAC   |
|   | K8AK-PM2                 | Three-phase, three-wire Mode: 380, 400, 415 and 480 VAC<br>Three-phase, four-wire Mode: 220, 230, 240 and 277 VAC   |
| Input load                                  |                          | K8AK-PM1: Approx. 4.4 VA<br>K8AK-PM2: Approx. 4.4 VA  |
| Operating value setting range (OVER, UNDER) |                          | Overvoltage<br>-30% to 25% of rated input voltage<br>Undervoltage<br>-30% to 25% of rated input voltage<br><b>Note:</b> The rated input voltage can be switched using the DIP switch.   |
| Operating value                             |                          | 100% operation at set value   |
| Reset value                                 |                          | 5% of operating value (fixed)   |
| Reset method                                |                          | Automatic reset   |
| Operating time setting range (T)            | Overvoltage/undervoltage | 0.1 to 30 s   |
|   | Phase sequence           | 0.1 s±0.05 s  |
|   | Phase loss               | 0.1 s max.  |
| Power ON lock time (LOCK)                   |                          | 1 s or 5 s (Switched using DIP switch.)   |
| Indicators                                  |                          | Power (PWR): Green, Relay output (RY): Yellow, OVER/UNDER: Red  |
| Output relays                               |                          | Two SPDT relays (NC operation)  |
| Output relay ratings                        |                          | Rated load<br>Resistive load<br>5 A at 250 VAC<br>5 A at 30 VDC<br>Maximum switching capacity: 1,250 VA, 150 W<br>Minimum load: 5 VDC, 10 mA (reference values)<br>Mechanical life: 10 million operations min.<br>Electrical life: 5 A at 250 VAC or 30 VDC: 50,000 operations<br>3 A at 250 VAC/30 VDC: 100,000 operations   |
| Ambient operating temperature               |                          | -20 to 60°C (with no condensation or icing)   |
| Storage temperature                         |                          | -25 to 65°C (with no condensation or icing)   |
| Ambient operating humidity                  |                          | 25% to 85% (with no condensation)   |
| Storage humidity                            |                          | 25% to 85% (with no condensation)   |
| Altitude                                    |                          | 2,000 m max.  |
| Terminal screw tightening torque            |                          | 0.49 to 0.59 N·m  |
| Terminal wiring method                      |                          | Recommended wire<br>Solid wire: 2.5 mm <sup>2</sup><br>Twisted wires: AWG16, AWG18<br><b>Note:</b> 1. Ferrules with insulating sleeves must be used with twisted wires.<br>2. Two wires can be twisted together.<br>Recommended ferrules<br>Al 1,5-8BK (for AWG16) manufactured by Phoenix Contact<br>Al 1-8RD (for AWG18) manufactured by Phoenix Contact<br>Al 0,75-8GY (for AWG18) manufactured by Phoenix Contact |
| Case color                                  |                          | N1.5  |
| Case material                               |                          | PC and ABS, UL 94 V-0   |
| Weight                                      |                          | Approx. 150 g   |
| Mounting                                    |                          | Mounts to DIN Track.  |
| Dimensions                                  |                          | 22.5 × 90 × 100 mm (W×H×D)  |

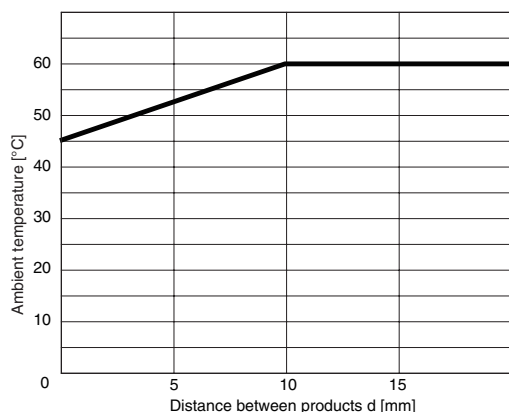
## Specifications

|                              |                             |  |
|------------------------------|-----------------------------|--|
| <b>Input frequency</b>       |                             | 50/60 Hz   |
| <b>Overload capacity</b>     |                             | Continuous input at 115% of maximum input, 10 s at 125% (up to 600 VAC).   |
| <b>Repeat accuracy</b>       | <b>Operating value</b>      | ±0.5% full scale (at 25°C and an ambient humidity of 65% at the rated power supply voltage, DC and 50/60 Hz sine wave input) |
|                              | <b>Operating time</b>       | ±50 ms (at 25°C and 65% humidity, rated power supply voltage)  |
| <b>Applicable standards</b>  | <b>Conforming standards</b> | EN 60947-5-1<br>Installation environment (pollution level 2, installation category III)                                      |
|                              | <b>EMC</b>                  | EN 60947-5-1   |
|                              | <b>Safety standards</b>     | UL 508 (Recognition), Korean Radio Waves Act (Act 10564),<br>CSA: C22.2 No.14, CCC: GB14048.5                                |
| <b>Insulation resistance</b> |                             | 20 MΩ<br>Between all external terminals and the case<br>Between all input terminals and all output terminals                 |
| <b>Dielectric strength</b>   |                             | 2,000 VAC for 1 min<br>Between all external terminals and the case<br>Between all input terminals and all output terminals   |
| <b>Noise immunity</b>        |                             | 1,500 V power supply terminal common/normal mode<br>Square-wave noise of ±1 μs/100 ns pulse width with 1-ns rise time        |
| <b>Vibration resistance</b>  |                             | Frequency: 10 to 55 Hz, acceleration 50 m/s <sup>2</sup><br>10 sweeps of 5 min each in X, Y, and Z directions                |
| <b>Shock resistance</b>      |                             | 100 m/s <sup>2</sup> , 3 times each in 6 directions along 3 axes   |
| <b>Degree of protection</b>  |                             | Terminals: IP20  |

### ● Relationship of Mounting Distance between K8AK-PM Relays and Ambient Temperature (Reference Values)

The following diagram shows the relationship between the mounting distances and the ambient temperature.

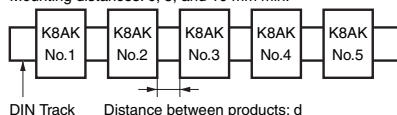
If the relay is used with an ambient temperature that exceeds these values, the temperature of the K8AK may rise and shorten the life of the internal components.



#### Test method

Sample: K8AK-PM

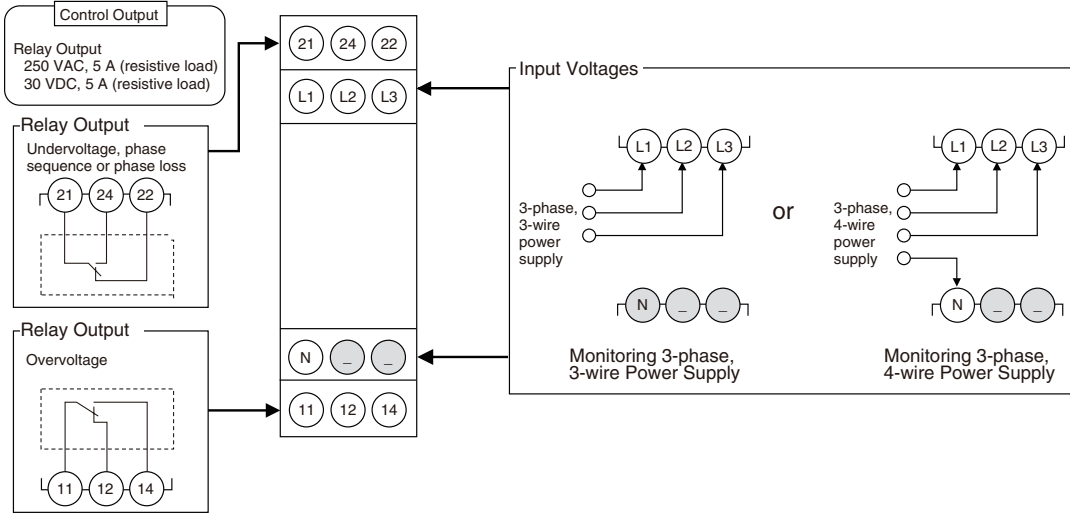
Mounting distances: 0, 5, and 10 mm min.



# K8AK-PM

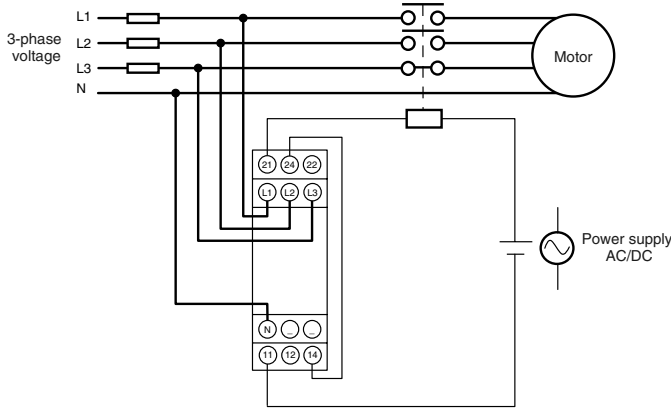
## Connections

### Terminal Diagram



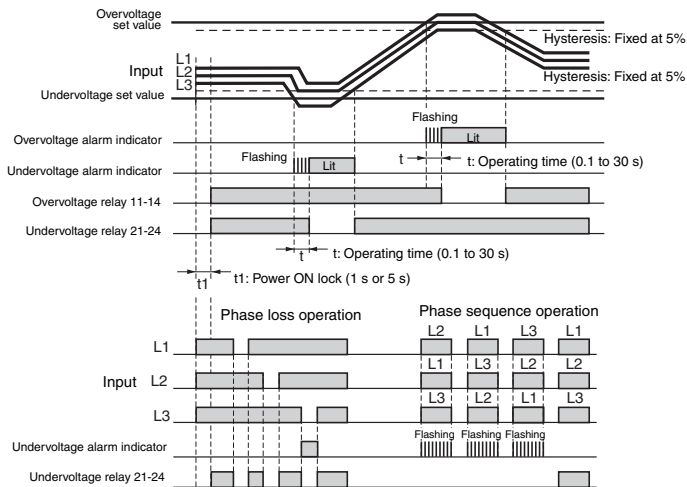
- Note:**
- Do not connect anything to terminals that are shaded in gray.
  - Use the recommended ferrules if you use twisted wires.

### Wiring Example



### Timing Charts

#### Overvoltage/Undervoltage and Phase Sequence/Phase Loss Operation Diagram



- Note:**
- The K8AK-PM□ output relay is normally operative.
  - The power ON lock prevents unnecessary alarms from being generated during the instable period when the power is first turned on. There is no relay output during timer operation.
  - Phase loss is detected by L1, L2, and L3 voltage drops. A phase loss will exist if any of the phases drops below 60% of the rated input.

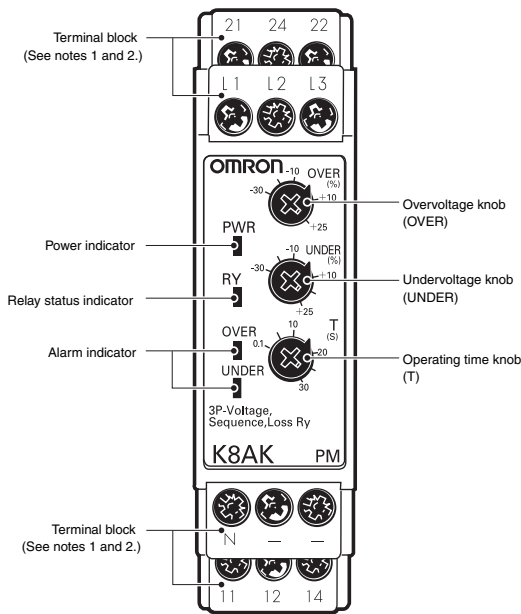
### Operation Indicators

| Item           | Display          |                   |                  | Contact operation      |             |
|----------------|------------------|-------------------|------------------|------------------------|-------------|
|                | Ry indicator     | Over indicator    | Under indicator  | Over relay             | Under relay |
| Overvoltage    | ON               | ON                | OFF              | OFF                    | ON          |
| Undervoltage   | ON               | OFF               | ON               | ON                     | OFF         |
| Phase loss     | OFF              | OFF* <sup>1</sup> | ON* <sup>2</sup> | OFF * <sup>1</sup>     | OFF         |
| Phase-sequence | Incor-rect phase | ON                | OFF              | Flashing* <sup>3</sup> | ON          |
|                | Cor-rect phase   | ON                | OFF              | OFF                    | ON          |

- \*<sup>1</sup> Over\_Ry turns OFF when phase loss is detected.  
 \*<sup>2</sup> L1 and L2 are also used for the power supply. If the voltage becomes very low, the indicator will turn OFF.  
 \*<sup>3</sup> The indicator will flash once per second after an incorrect phase is detected and once per 0.5 second during the detection time.

# Nomenclature

## Front



## ●Indicators

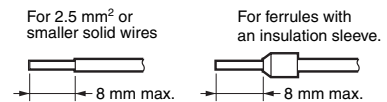
| Item                                | Meaning  |
|-------------------------------------|--|
| Power indicator (PWR: Green)        | Lit when power is being supplied*  |
| Relay status indicator (RY: Yellow) | Lit when relay is operating (normally lit).  |
| Alarm indicator                     | Overvoltage: Red<br>Lit when there is an overvoltage. The indicator flashes to indicate the error status after the overvoltage has exceeded the set value while the operating time is being clocked.   |
|                                     | Undervoltage: Red<br><ul style="list-style-type: none"> <li>Lit when there is an undervoltage or phase loss. The indicator flashes to indicate the error status after the undervoltage has exceeded the set value while the operating time is being clocked.</li> <li>Lit when there is a phase sequence error.</li> </ul> |

\* The input across L1 and L2 is used for the internal power supply. Therefore, the power indicator will not be lit if there is no input across L1 and L2.

## ●Setting Knobs

| Item                      | Usage   |
|---------------------------|---|
| Overvoltage knob (OVER)   | Can be set between -30% and 25% of the rated input. |
| Undervoltage knob (UNDER) | Can be set between -30% and 25% of the rated input. |
| Operating time knob (T)   | Used to set the operating time to 0.1 to 30 s.      |

**Note: 1.** Use either a solid wire of 2.5 mm<sup>2</sup> maximum or a ferrule with insulating sleeve for the terminal connection. The length of the exposed current-carrying part inserted into the terminal must be 8 mm or less to maintain dielectric strength after connection.



Recommended ferrules  
Phoenix Contact

- AI 1,5-8BK (for AWG16)
- AI 1-8RD (for AWG18)
- AI 0,75-8GY (for AWG18)

**2.** Screw tightening torque: 0.49 to 0.59 N·m

# K8AK-PM

## Operation Methods

### Connections

#### ●Input

Connect to L1, L2, and L3 (for three-phase three-wire mode) or L1, L2, L3, and N (for three-phase four-wire mode), depending on the mode selected using pin 2 on the DIP switch.

The Unit will not operate correctly if the DIP switch setting and the wiring do not agree.

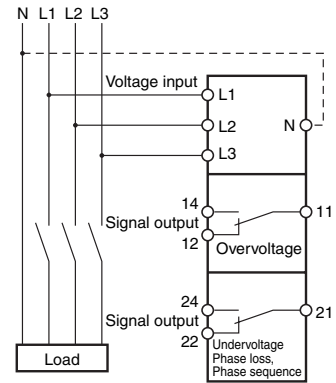
Make sure the phase sequence is wired correctly. The Unit will not operate normally if the phase sequence is incorrect.

#### ●Outputs

Terminals 11, 12, and 14 are the output terminals for overvoltage (SPDT).

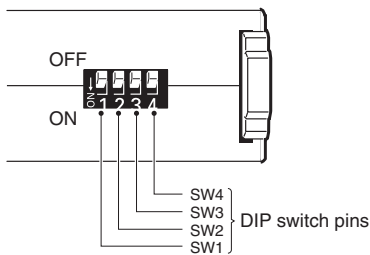
Terminals 21, 22, and 24 are the output terminals for undervoltage, phase loss, and phase sequence (SPDT).

\* Use the recommended ferrules if you use twisted wires.



### DIP Switch Settings

The power ON lock time, number of wires, and rated voltage are set using the DIP switch located on the bottom of the Unit.



#### ●DIP Switch Functions

##### K8AK-PM1

| Pin                | OFF ● ↑        |                |     |     |     |     |
|--------------------|----------------|----------------|-----|-----|-----|-----|
|                    | ON ○ ↓         |                | 1   | 2   | 3   | 4   |
| Power ON lock time | 1 s            | ●              | --- | --- | --- | --- |
|                    | 5 s            | ○              | --- | --- | --- | --- |
| Number of wires    | 3-wire 3-phase | ---            | ●   | --- | --- | --- |
|                    | 4-wire 3-phase | ---            | ○   | --- | --- | --- |
| Rated voltage      | 3-wire 3-phase | 4-wire 3-phase |     |     |     |     |
|                    | 200 V          | 115 V          | --- | --- | ●   | ●   |
|                    | 220 V          | 127 V          | --- | --- | ○   | ●   |
|                    | 230 V          | 133 V          | --- | --- | ●   | ○   |
|                    | 240 V          | 138 V          | --- | --- | ○   | ○   |

**Note:** All pins are set to OFF at the factory.

##### K8AK-PM2

| Pin                | OFF ● ↑        |                |     |     |     |     |
|--------------------|----------------|----------------|-----|-----|-----|-----|
|                    | ON ○ ↓         |                | 1   | 2   | 3   | 4   |
| Power ON lock time | 1 s            | ●              | --- | --- | --- | --- |
|                    | 5 s            | ○              | --- | --- | --- | --- |
| Number of wires    | 3-wire 3-phase | ---            | ●   | --- | --- | --- |
|                    | 4-wire 3-phase | ---            | ○   | --- | --- | --- |
| Rated voltage      | 3-wire 3-phase | 4-wire 3-phase |     |     |     |     |
|                    | 380 V          | 220 V          | --- | --- | ●   | ●   |
|                    | 400 V          | 230 V          | --- | --- | ○   | ●   |
|                    | 415 V          | 240 V          | --- | --- | ●   | ○   |
|                    | 480 V          | 277 V          | --- | --- | ○   | ○   |

**Note:** All pins are set to OFF at the factory.

**Setting Method**

**●Overvoltage**

The overvoltage knob (OVER) is used to set the overvoltage threshold.  
 The overvoltage can be set to between -30% and 25% of the rated input voltage.  
 Turn the knob while there is an input to the input terminals until the alarm indicator flashes (when the set value and the input have reached the same level.)

Use this as a guide to set the voltage.  
 The rated input depends on the model and DIP switch setting.

Example: K8AK-PM1 with Pin 2 Turned OFF (Three-phase, Three-wire Mode) and Pins 3 and 4 Turned OFF (Rated Voltage of 200 V)  
 The rated input voltage is 200 VAC and the setting range is 140 to 250 V.

**●Undervoltage**

Undervoltage is set using the undervoltage knob (UNDER).  
 The undervoltage can be set to between -30% and 25% of the rated input.  
 Turn the knob while there is an input to the input terminals until the alarm indicator flashes (when the set value and the input have reached the same level.)

Use this as a guide to set the voltage.  
 The rated input depends on the model and DIP switch setting.

Example: K8AK-PM1 with Pin 2 Turned OFF (Three-phase, Three-wire Mode) and Pins 3 and 4 Turned OFF (Rated Voltage of 200 V)  
 The rated input voltage is 200 VAC and the setting range is 140 to 250 V.

**●Operating Time**

The operating time is set using the operating time knob (T).  
 The operating time can be set to between 0.1 and 30 s.  
 Turn the knob while there is an input to the input terminals until the alarm indicator flashes (when the set value and the input have reached the same level.)

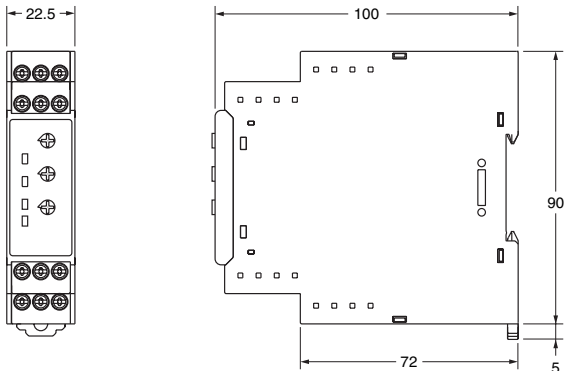
Use this as a guide to set the operating time.  
 If the input exceeds (or drops lower than) the voltage set value, the alarm indicator will start flashing for the set period and then stay lit.

**Dimensions**

(Unit: mm)

**Three-phase Voltage and Phase-sequence Phase-loss Relays**

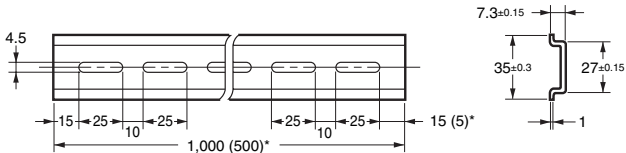
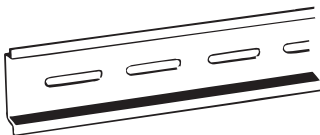
K8AK-PM1  
 K8AK-PM2



**Optional Parts for DIN Track Mounting**

**●DIN Tracks**

PFP-100N  
 PFP-50N



\*Dimensions in parentheses are for the PFP-50N.

## Questions and Answers

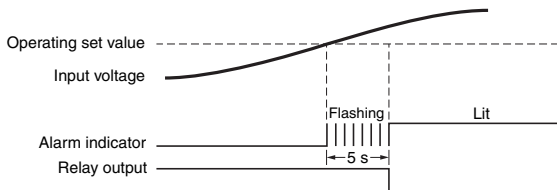
**Q** Checking Operation

**A** **Overvoltages**  
Gradually increase the input from 80% of the set value. The input value will equal the operating value when the input exceeds the set value and the alarm indicator starts flashing. Operation can be checked by the relay output that will start after the operating time has passed.

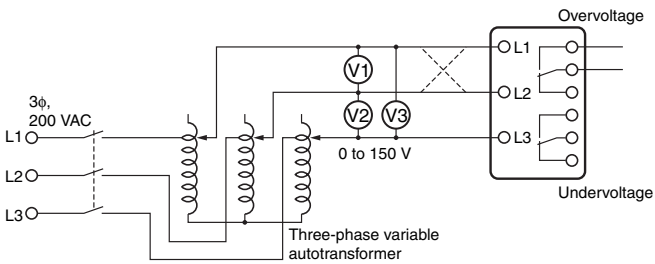
**Undervoltage**  
Gradually decrease the input from 120% of the set value and check the operation using the same method as for overvoltage.

**Example:** For monitoring mode set to three-phase three-wire monitoring, a rated voltage of 200 V, and an operating time of 5 s.

**Note:** K8AK-PM□ output relays are normally operative.



Connection Diagram 1



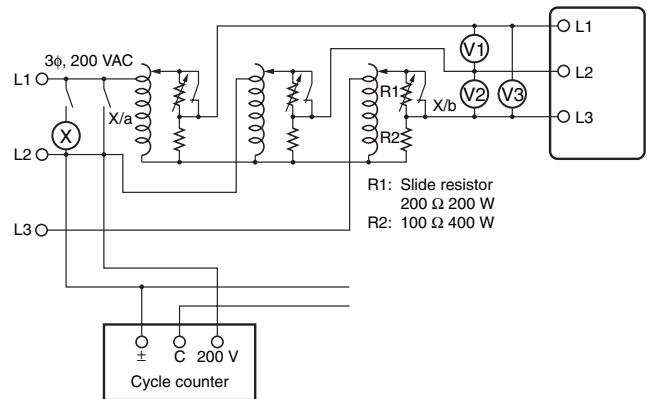
**Q** How to Measure the Operating Time

**A** **Overvoltage**  
Change the input suddenly from 0% to 120% of the set value and measure the time until the Unit operates.

**Undervoltage**  
Change the input suddenly from 120% to 0% of the set value and measure the time until the Unit operates.

**Operating Time**  
Adjust the slide resistor so that the voltage applied to the K8AK terminals is 120% of the set value (for overvoltage detection) and 80% of the set value (for undervoltage detection) when the auxiliary relay operates, as shown in connection diagram 2. Close the switch and use the cycle counter to measure the operating time.

Connection Diagram 2



**Q** Checking the Phase Sequence and Phase Loss Operation

**A** **Phase Sequence**  
Switch the wiring, as shown by the dotted lines in connection diagram 1, to reverse the phase sequence and check that the K8AK operates.

**Phase loss**  
Create a phase loss for any input phase and check that the K8AK operates.



## Questions and Answers

**Q** Load-side Phase Loss

**A** In principle, phase loss cannot be detected on the load side because the K8AK-PM measures three-phase voltage to determine phase loss.

**Q** Motor Load Phase Loss during Operation

**A** Motor load phase loss cannot be detected during operation. It can be used to detect phase loss at startup.

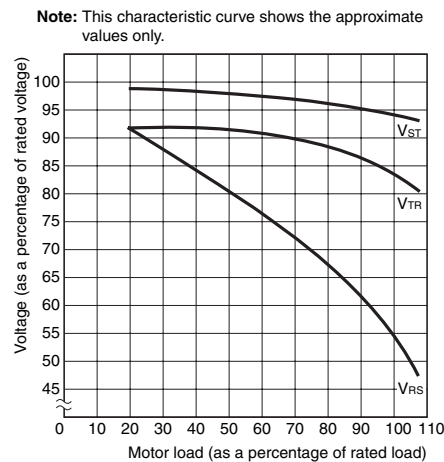
Normally, three-phase motors will continue to rotate even if one phase is open. The three-phase voltage will be induced at the motor terminals. The diagram shows voltage induction at the motor terminals when phase R has been lost with a load applied to a three-phase motor. The horizontal axis shows the motor load as a percentage of the rated load, and the vertical axis shows voltage as a percentage of the rated voltage. The lines in the graph show the voltage induced at the motor terminals for each load phase loss occurs during operation. As the graph shows, phase loss cannot be detected because the motor terminal voltage does not drop very much even if a phase is lost when the load on the motor is light. To detect motor load phase loss during operation, use the undervoltage detection function to detect the motor terminal voltages at phase loss.

Set the operating time carefully because it will affect the time from when the phase loss occurs until tripping when this function is used.

**Q** Overvoltage Detection When Only One Phase Exceeds the Overvoltage Set Value

**A** The K8AK monitors each of the three-phase voltages. This means an overvoltage is detected even if only one phase exceeds the set value. The same applies to undervoltages.

### Characteristic Curve Diagram





**Note:** For phase loss of phase R. V<sup>ST</sup>, V<sup>TR</sup>, and V<sup>RS</sup> indicate the motor terminal voltage at phase loss.





## Safety Precautions

Be sure to read the precautions for all models in the website at the following URL: <http://www.ia.omron.com/>.

### Warning Indications

|   |  |
|---|--|
|  <b>WARNING</b> | Indicates a potentially hazardous situation which, if not avoided, will result in minor or moderate injury, or may result in serious injury or death. Additionally there may be significant property damage. |
|  <b>CAUTION</b> | Indicates a potentially hazardous situation which, if not avoided, may result in minor or moderate injury or in property damage.   |
| <b>Precautions for Safe Use</b>   | Supplementary comments on what to do or avoid doing, to use the product safely.  |
| <b>Precautions for Correct Use</b>  | Supplementary comments on what to do or avoid doing, to prevent failure to operate, malfunction, or undesirable effects on product performance.  |

### Meaning of Product Safety Symbols

|   |   |
|---|---|
|    | Used to warn of the risk of electric shock under specific conditions.   |
|    | Used for general prohibitions for which there is no specific symbol.  |
|   | Used to indicate prohibition when there is a risk of minor injury from electrical shock or other source if the product is disassembled. |
|  | Used for general mandatory action precautions for which there is no specified symbol.   |

### **WARNING**

Electrical shock may occasionally cause serious injury. Confirm that the input voltage is OFF before starting any wiring work and wire all connections correctly.



### **CAUTION**

Electrical shock may cause minor injury. Do not touch terminals while electricity is being supplied.



There is a risk of minor electrical shock, fire, or device failure. Do not allow any pieces of metal, conductors, or cutting chips that occur during the installation process to enter the product.



Explosions may cause minor injuries. Do not use the product in locations with inflammable or explosive gases.

There is a risk of minor electrical shock, fire, or device failure. Do not disassemble, modify, repair, or touch the inside of the product.



Loose screws may cause fires. Tighten terminal screws to the specified torque of 0.49 to 0.59 N·m.



Use of excessive torque may damage the terminal screws. Tighten terminal screws to the specified torque of 0.49 to 0.59 N·m.



Use of the product beyond its life may result in contact welding or burning. Make sure to consider the actual operating conditions and use the product within its rated load and electrical life count. The life of the output relay varies significantly with the switching capacity and switching conditions.



### Precautions for Safe Use

1. Do not use or store the product in the following locations.
  - Locations subject to water or oil
  - Outdoor locations or under direct sunlight
  - Locations subject to dust or corrosive gases (particularly sulfurizing gases, ammonia, etc.)
  - Locations subject to rapid temperature changes
  - Locations prone to icing and dew condensation
  - Locations subject to excessive vibration or shock
  - Locations subject to wind and rain
  - Locations subject to static electricity and noise
  - Habitats of insects or small animals
2. Use and store the product in a location where the ambient temperature and humidity are within the specified ranges. If applicable, provide forced cooling.
3. Mount the product in the correct direction.
4. Do not wire the input and output terminals incorrectly.
5. Make sure the input voltage and loads are within the specifications and ratings for the product.
6. Make sure the crimp terminals for wiring are of the specified size.
7. Do not connect anything to terminals that are not being used.
8. Use a power supply that will reach the rated voltage within 1 second after the power is turned ON.
9. Keep wiring separate from high voltages and power lines that draw large currents.  
Do not place product wiring in parallel with or in the same path as high-voltage or high-current lines.
10. Do not install the product near equipment that generates high frequencies or surges.
11. The product may cause incoming radio wave interference. Do not use the product near radio wave receivers.
12. Install an external switch or circuit breaker and label it clearly so that the operator can quickly turn OFF the power supply.
13. Make sure the indicators operate correctly. Depending on the application environment, the indicators may deteriorate prematurely and become difficult to see.
14. Do not use the product if it is accidentally dropped. The internal components may be damaged.
15. Be sure you understand the contents of this catalog and handle the product according to the instructions provided.
16. Do not install the product in any way that would place a load on it.
17. When discarding the product, properly dispose of it as industrial waste.
18. The product must be handled only by trained electrician.
19. Prior to operation, check the wiring before you supply power to the product.
20. Do not install the product immediately next to heat sources.
21. Perform periodic maintenance.

### Precautions for Correct Use

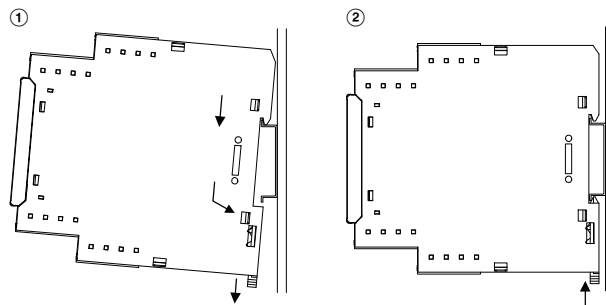
#### Observe the following operating methods to prevent failure and malfunction.

1. Use the input power and other power supplies and converters with suitable capacities and rated outputs.
2. Use a precision screwdriver or similar tool to adjust the setting knobs.
3. The distortion in the input waveform must be 30% max. If the input waveform is distorted beyond this level, it may cause unnecessary operation.
4. The product cannot be used for thyristor control or on the secondary side of an inverter. To use the product on the primary side of an inverter, install a noise filter on the primary side of the inverter.
5. To reduce the error in the setting knob, always turn the setting knob from the minimum setting toward the maximum setting.
6. Phase loss is detected only when the power supply to the motor is turned ON. Phase loss during motor operation is not detected.
7. Phase loss can be detected only from the input contacts to the power supply side. Phase loss cannot be detected from the input contacts to the load side.
8. When cleaning the product, do not use thinners or solvents. Use commercial alcohol.

#### Correct Mounting Direction, Mounting, and Removing

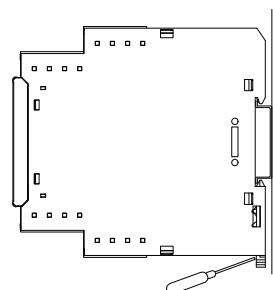
##### • Mounting to DIN Track

1. Attach the product to the DIN Track with the tab at the top and the hooks at the bottom.
2. Push the product onto the Track until the hooks lock into place.



##### • Removing from the DIN Track

- Pull down on the bottom hook with a flat-blade screwdriver and lift up on the product.



Applicable DIN Tracks:  
PFP-100N (100 cm)  
PFP-50N (50 cm)

## Adjusting the Setting Knobs

- Use a screwdriver to adjust the setting knobs. The knobs have a stopper that prevents them from turning beyond the full right or left position. Do not force a knob beyond these points.







# Terms and Conditions Agreement

## **Read and understand this catalog.**

Please read and understand this catalog before purchasing the products. Please consult your OMRON representative if you have any questions or comments.

## **Warranties.**

- (a) Exclusive Warranty. Omron's exclusive warranty is that the Products will be free from defects in materials and workmanship for a period of twelve months from the date of sale by Omron (or such other period expressed in writing by Omron). Omron disclaims all other warranties, express or implied.
- (b) Limitations. OMRON MAKES NO WARRANTY OR REPRESENTATION, EXPRESS OR IMPLIED, ABOUT NON-INFRINGEMENT, MERCHANTABILITY OR FITNESS FOR A PARTICULAR PURPOSE OF THE PRODUCTS. BUYER ACKNOWLEDGES THAT IT ALONE HAS DETERMINED THAT THE PRODUCTS WILL SUITABLY MEET THE REQUIREMENTS OF THEIR INTENDED USE.

Omron further disclaims all warranties and responsibility of any type for claims or expenses based on infringement by the Products or otherwise of any intellectual property right. (c) Buyer Remedy. Omron's sole obligation hereunder shall be, at Omron's election, to (i) replace (in the form originally shipped with Buyer responsible for labor charges for removal or replacement thereof) the non-complying Product, (ii) repair the non-complying Product, or (iii) repay or credit Buyer an amount equal to the purchase price of the non-complying Product; provided that in no event shall Omron be responsible for warranty, repair, indemnity or any other claims or expenses regarding the Products unless Omron's analysis confirms that the Products were properly handled, stored, installed and maintained and not subject to contamination, abuse, misuse or inappropriate modification. Return of any Products by Buyer must be approved in writing by Omron before shipment. Omron Companies shall not be liable for the suitability or unsuitability or the results from the use of Products in combination with any electrical or electronic components, circuits, system assemblies or any other materials or substances or environments. Any advice, recommendations or information given orally or in writing, are not to be construed as an amendment or addition to the above warranty.

See <http://www.omron.com/global/> or contact your Omron representative for published information.

## **Limitation on Liability; Etc.**

OMRON COMPANIES SHALL NOT BE LIABLE FOR SPECIAL, INDIRECT, INCIDENTAL, OR CONSEQUENTIAL DAMAGES, LOSS OF PROFITS OR PRODUCTION OR COMMERCIAL LOSS IN ANY WAY CONNECTED WITH THE PRODUCTS, WHETHER SUCH CLAIM IS BASED IN CONTRACT, WARRANTY, NEGLIGENCE OR STRICT LIABILITY.

Further, in no event shall liability of Omron Companies exceed the individual price of the Product on which liability is asserted.

## **Suitability of Use.**

Omron Companies shall not be responsible for conformity with any standards, codes or regulations which apply to the combination of the Product in the Buyer's application or use of the Product. At Buyer's request, Omron will provide applicable third party certification documents identifying ratings and limitations of use which apply to the Product. This information by itself is not sufficient for a complete determination of the suitability of the Product in combination with the end product, machine, system, or other application or use. Buyer shall be solely responsible for determining appropriateness of the particular Product with respect to Buyer's application, product or system. Buyer shall take application responsibility in all cases.

NEVER USE THE PRODUCT FOR AN APPLICATION INVOLVING SERIOUS RISK TO LIFE OR PROPERTY OR IN LARGE QUANTITIES WITHOUT ENSURING THAT THE SYSTEM AS A WHOLE HAS BEEN DESIGNED TO ADDRESS THE RISKS, AND THAT THE OMRON PRODUCT(S) IS PROPERLY RATED AND INSTALLED FOR THE INTENDED USE WITHIN THE OVERALL EQUIPMENT OR SYSTEM.

## **Programmable Products.**

Omron Companies shall not be responsible for the user's programming of a programmable Product, or any consequence thereof.

## **Performance Data.**

Data presented in Omron Company websites, catalogs and other materials is provided as a guide for the user in determining suitability and does not constitute a warranty. It may represent the result of Omron's test conditions, and the user must correlate it to actual application requirements. Actual performance is subject to the Omron's Warranty and Limitations of Liability.

## **Change in Specifications.**

Product specifications and accessories may be changed at any time based on improvements and other reasons. It is our practice to change part numbers when published ratings or features are changed, or when significant construction changes are made. However, some specifications of the Product may be changed without any notice. When in doubt, special part numbers may be assigned to fix or establish key specifications for your application. Please consult with your Omron's representative at any time to confirm actual specifications of purchased Product.

## **Errors and Omissions.**

Information presented by Omron Companies has been checked and is believed to be accurate; however, no responsibility is assumed for clerical, typographical or proofreading errors or omissions.

**OMRON Corporation Industrial Automation Company**

Tokyo, JAPAN

Contact: [www.ia.omron.com](http://www.ia.omron.com)

**Regional Headquarters**

**OMRON EUROPE B.V.**

Wegalaan 67-69-2132 JD Hoofddorp  
The Netherlands

Tel: (31)2356-81-300/Fax: (31)2356-81-388

**OMRON ELECTRONICS LLC**

One Commerce Drive Schaumburg,  
IL 60173-5302 U.S.A.

Tel: (1) 847-843-7900/Fax: (1) 847-843-7787

**OMRON ASIA PACIFIC PTE. LTD.**

No. 438A Alexandra Road # 05-05/08 (Lobby 2),  
Alexandra Technopark,  
Singapore 119967

Tel: (65) 6835-3011/Fax: (65) 6835-2711

**OMRON (CHINA) CO., LTD.**

Room 2211, Bank of China Tower,  
200 Yin Cheng Zhong Road,  
PuDong New Area, Shanghai, 200120, China

Tel: (86) 21-5037-2222/Fax: (86) 21-5037-2200

**Authorized Distributor:**

© OMRON Corporation 2014. All Rights Reserved.  
In the interest of product improvement,  
specifications are subject to change without notice.

CSM\_3\_1\_0315

**Cat. No. N185-E1-01**

0314 (0314)



## X-ON Electronics

Largest Supplier of Electrical and Electronic Components

*Click to view similar products for [General Purpose Relays](#) category:*

*Click to view products by [Omron](#) manufacturer:*

Other Similar products are found below :

[APF30318](#) [JVN1AF-4.5V-F](#) [PCN-105D3MHZ](#) [5JO-10000S-SIL](#) [5JO-1000CD-SIL](#) [5JO-400CD-SIL](#) [LY2S-AC220/240](#) [LYQ20DC12](#)  
[6031007G](#) [6131406HQ](#) [6-1393099-3](#) [6-1393099-8](#) [6-1393122-4](#) [6-1393123-2](#) [6-1393767-1](#) [6-1393843-7](#) [6-1415012-1](#) [6-1419102-2](#) [6-](#)  
[1423698-4](#) [6-1608051-6](#) [6-1608067-0](#) [6-1616170-6](#) [6-1616248-2](#) [6-1616282-3](#) [6-1616348-2](#) [6-1616350-1](#) [6-1616350-8](#) [6-1616358-7](#) [6-](#)  
[1616359-9](#) [6-1616360-9](#) [6-1616931-6](#) [6-1617039-1](#) [6-1617052-1](#) [6-1617090-2](#) [6-1617090-5](#) [6-1617347-5](#) [6-1617353-3](#) [6-1617801-8](#) [6-](#)  
[1617802-2](#) [6-1618107-9](#) [6-1618248-4](#) [M83536/1-027M](#) [CX-4014](#) [MAHC-5494](#) [MAVCD-5419-6](#) [703XCX-120A](#) [7-1393100-5](#) [7-1393111-7](#)  
[7-1393144-5](#) [7-1393767-8](#)