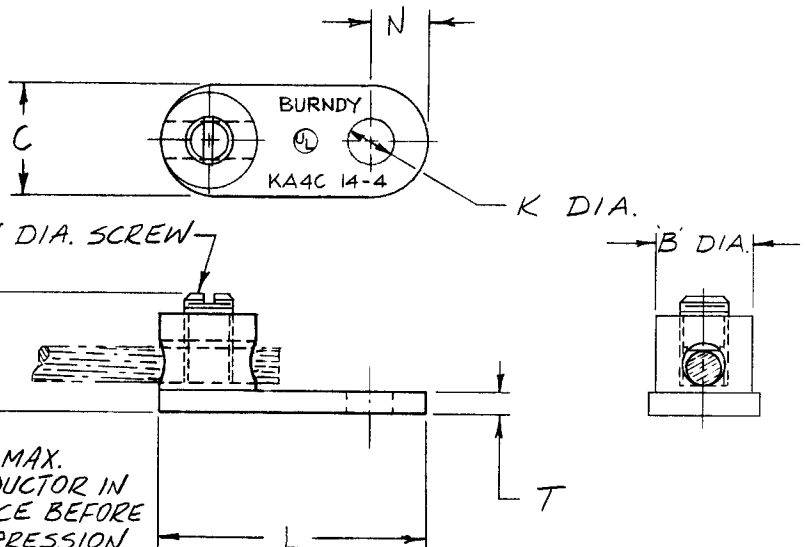



REV.	DATE	REVISION DESCRIPTION	BY	CHK'D.
1	3/9/90	CHANGED VIEWS PICTORALLY + ADDED TIN PLATING OPTIONAL (DC 20344)	MCP	AN
2	9/24/90	SEE REV. REF. PRINT PER (D.O. 51753).	MP	JDL
3	9/15/93	ADDED CAT #'S KA4CG16NKH6X AND KA4CG16. ADDED STEEL TO DESC. PER (FCN 151B).	RDP	RER

ACCOMMODATES COPPER CABLE	CATALOG NUMBER	B DIA.	C	H	J DIA. SCREW	K DIA.	L	N	T	FINISH	SCREW DESCRIPTION
#14 SOL (.064 DIA.) - #8 STR (.146 DIA.)	KA8C	8.1 .32	9.7 .38	15.42 .607	12-24UNC	5.3 .21	20.6 .81	4.8 .19	2.0 .08	---	FLAT HD. (ROUND TIP) ZINC OR CADMIUM PLATED SET SCREW, STEEL
#14 SOL (.064 DIA.) - #4 STR (.232 DIA.)	KA4C	11.9 .47	13.7 .54	19.6 .77	5/16"-24UNF	7.1 .28	28.2 1.11	6.4 .25	2.8 .10	---	FLAT HD. (ROUND TIP) ZINC OR CADMIUM PLATED SET SCREW, STEEL
#14 SOL (.064 DIA.) - #8 STR (.146 DIA.)	KA8CTN	8.1 .32	9.7 .38	15.42 .607	12-24UNC	5.3 .21	20.6 .81	4.8 .19	2.0 .08	TIN PLATE	FLAT HD. (ROUND TIP) ZINC PLATED SET SCREW, STEEL
#14 SOL (.064 DIA.) - #4 STR (.232 DIA.)	KA4CTN	11.9 .47	13.7 .54	19.6 .77	5/16"-24UNF	7.1 .28	28.2 1.11	6.4 .25	2.8 .10	TIN PLATE	FLAT HD. (ROUND TIP) ZINC PLATED SET SCREW, STEEL
#14 SOL (.064 DIA.) #4 STR (.232 DIA.)	KA4CG16NKH6X	11.9 .47	13.7 .54	26 1.02	5/16"-24-UNF	8.1 .32	28.2 1.11	6.4 .25	2.8 .10	NICKEL PLATE	HEX HEAD (FLAT TIP) NICKEL PLATED SCREW, STEEL
#14 SOL (.064 DIA.) #4 STR (.232 DIA.)	KA4CG16	11.9 .47	13.7 .54	19.6 .77	5/16"-24-UNF	8.1 .32	28.2 1.11	6.4 .25	2.8 .10	---	FLAT HEAD (ROUND TIP) ZINC OR CADMIUM PLATED SET SCREW, STEEL



MATERIAL: BODY - COPPER ALLOY
 FINISH - SEE ABOVE
 SCREW DESC. - SEE ABOVE

COPPER TERMINAL			
CAT NO: KAC, KACTN (TABLE)	SCALE NONE		
DRAWN: H.C.	3/14/84	CHECKED: A.J.M.	4/13/84
DSGN APPVL: M.J.M.	6/12/84	MFG APPVL:	
O.A. APPVL:		MKTG APPVL:	
CAD FILE: N/A		PM REF: N/A	
		MDL REF: N/A	
 an FCI Company U.S. ELECTRICAL DIVISION MANCHESTER, NH 03108		PROJECT: D.O. 50340	
		DRAWING NO. SC88846	REV 3
		SHEET 1 OF 1	

X-ON Electronics

Largest Supplier of Electrical and Electronic Components

Click to view similar products for [Terminals](#) category:

Click to view products by [FCT Electronics](#) manufacturer:

Other Similar products are found below :

[HT-13-10](#) [71M-250-32-NB](#) [01-2065-1-0216](#) [00581P0075](#) [M10-10RX](#) [M10BCK](#) [60205-1](#) [604200-1](#) [60598-1-CUT-TAPE](#) [60617-1-C](#) [60873-1](#) [M14-516R/SK](#) [M14-6RSX](#) [M18-10FLX](#) [M18-8FBX](#) [M18-8R/LX](#) [M18BCK](#) [61314-6-C](#) [61-S](#) [61-SN-A](#) [62-NBM-A](#) [63-S](#) [640179-1](#) [640917-2-CUT-TAPE](#) [6501550002](#) [66107-2-C](#) [66107-4-C](#) [696683-1](#) [696834-1](#) [696861-1](#) [696931-1](#) [696999-1](#) [M8-516RK](#) [M86700006](#) [MA250DMFMX-A](#) [701-2007](#) [701-2307](#) [701-7761-03](#) [70F-110-32-PB](#) [718-N-A](#) [71M-187-20-NBL](#) [71M-250-32-NBL](#) [72F-187-20-NBL](#) [72M-250-32-NBL](#) [7310](#) [73F-250-32](#) [73F-250-32-NBL](#) [73F-250-32-NL](#) [F14-10C](#) [F-1M](#)