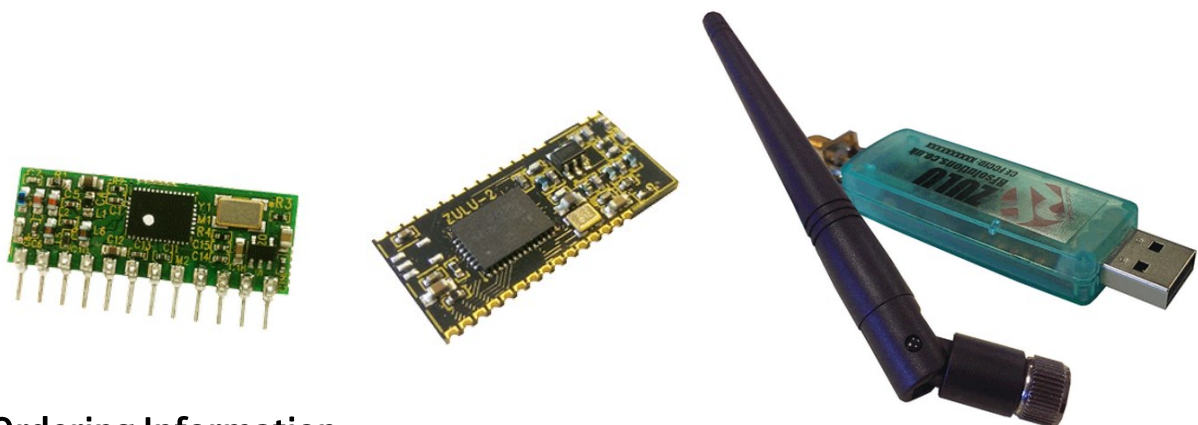


Description

The KAPPAM Arduino shield provides a enables the features of the KAPPAM on Arduino platform. This is available in two versions:

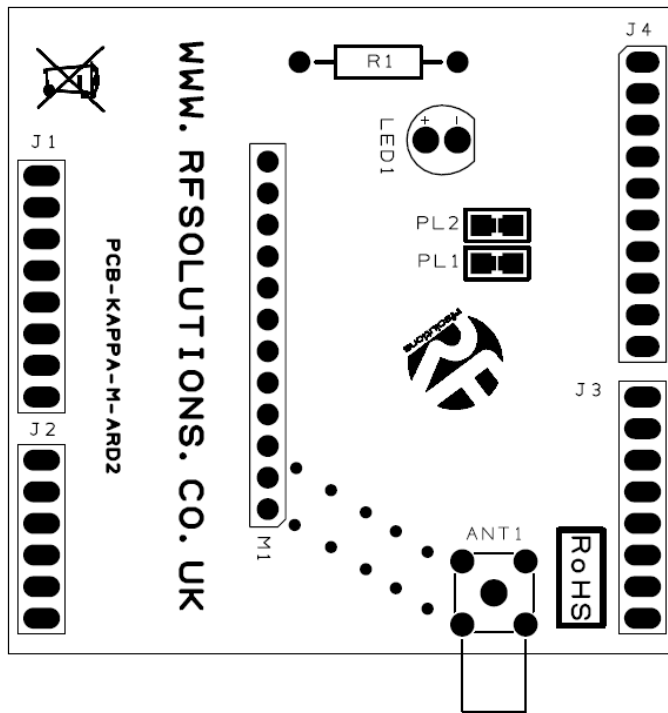
KAPPAM-868

This enables a serial data radio link from Arduino to Arduino and is compatible with other RF Solutions' compatible products. (KAPPAM-M868, ZULU2-M868 and ZULU-DONGLE)



Ordering Information

Part No	Description
KAPPAM-ARD	Arduino Shield with KAPPAM Modem module



Arduino Pin
 Pin4- CTS
 Pin3- RTS
 Pin2-TX
 Pin1- RX

Link	Action	Description
PL 11/12	Open/Closed	TX/RX serial option link to Arduino

Resources / Further Reading

- KAPPA-M datasheet: Containing technical information including; pin description, dimensions and set-up of the KAPPA modem module.
<http://www.rfsolutions.co.uk/acatalog/DS-KAPPA.pdf>
- Build Pack: Containing schematic, Gerbers, Design Spark project file, sample sketch and the BOM for the shield.

Note: Serial link must be removed to program Arduino board

Please go to the page below on our website for our Arduino Uno demo downloads
<http://www.rfsolutions.co.uk/downloads/Arduino.php>

RF Solutions Ltd. Recycling Notice

Meets the following EC Directives:

DO NOT

Discard with normal waste, please recycle.



ROHS Directive 2002/95/EC

Specifies certain limits for hazardous substances.



WEEE Directive 2002/96/EC

Waste electrical & electronic equipment. This product must be disposed of through a licensed WEEE collection point.

RF Solutions Ltd., fulfils its WEEE obligations by membership of an approved compliance scheme.

Waste Batteries and Accumulators Directive 2006/66/EC

Where batteries are fitted, before recycling the product, the batteries must be removed and disposed of at a licensed collection point.

Environment Agency producer registration number:
 WEE/JB0104WV.

X-ON Electronics

Largest Supplier of Electrical and Electronic Components

Click to view similar products for [Development Boards & Kits - Wireless](#) category:

Click to view products by [RF Solutions](#) manufacturer:

Other Similar products are found below :

[13237ADC-SFTW](#) [13237ADC-BDM](#) [SLWRB4542B](#) [SLWRB4546A](#) [CC-WMX51-LX](#) [TWR-13237](#) [TWR-13237-KIT](#) [109110001](#)
[DA14585-00VVDB-P](#) [MKR MOTOR CARRIER](#) [AC164159](#) [RD-88MW322-R0](#) [RD-88MW320-R0](#) [FMC PCAM ADAPTER](#) [BLE 4 CLICK](#)
[C METER CLICK](#) [HALL CURRENT CLICK](#) [COLOR 3 CLICK](#) [COMPASS 2 CLICK](#) [COMPASS CLICK](#) [HDC1000 CLICK](#) [RELAY](#)
[CLICK](#) [RIVERDI CLICK](#) [CUGSM113#UFL](#) [R METER CLICK](#) [MATRIX G CLICK](#) [MATRIX RGB CLICK](#) [3D MOTION CLICK](#) [3G](#)
[SARA CLICK](#) [TDGL012](#) [4-20MA R CLICK](#) [4-20MA T CLICK](#) [THERMO CLICK](#) [MCP2003B CLICK](#) [EXPAND 3 CLICK](#) [MCP2542](#)
[CLICK](#) [MCP25625 CLICK](#) [ATA663211 CLICK](#) [ATA8520-EK3-E](#) [TOUCHKEY CLICK](#) [MICROSD CLICK](#) [TRF CLICK](#) [BUTTON R](#)
[CLICK](#) [IR ECLIPSE CLICK](#) [IR THERMO 2 CLICK](#) [UNIQUE ID CLICK](#) [UV 2 CLICK](#) [CAN-SPI CLICK 3.3V](#) [CAN-SPI CLICK 5V](#) [CAP](#)
[EXTEND CLICK](#)