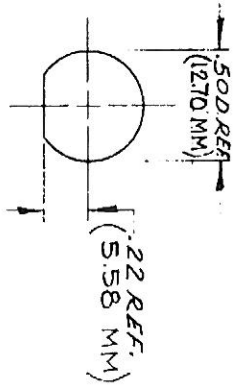
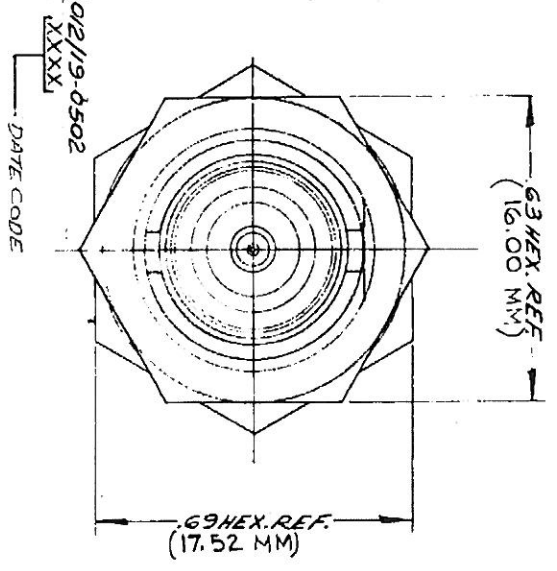


- NOTES:**
1. FOR USE WITH RG 180/U CABLE.
 2. FOR CABLE TRIMMING USE KT-116 & KTD-161
 3. FOR CRIMPING USE DIE SIZE 07.
 4. FOR CABLING INSTRUCTIONS SEE CP-465.
 5. ITEM ⑧ TO BE SUPPLIED UNASSEMBLED.

UNLESS OTHERWISE SPECIFIED:
 1. TOLERANCES: FRACTIONS & 2 PLACE DECIMALS ±.010
 2. REMOVE ALL BURRS, BREAK SHARP EDGES .005 MAX.
 3. PLUG GAGES SHALL BE USED TO CHECK DIMENSIONS.
 4. SURFACE FINISHES SHALL NOT EXCEED HALF THE SUM OF THEIR TOLERANCES.
 5. ALL DIMENSIONS PRIOR TO PLATING.



(SHEET 1 OF 2)

ISSUE	REVISIONS	CHANGES
0	ER/1951G	M.A. 18 JUL 79
1	CN 22 73 C	9JG 8 JUN 81
5	CN ZBZ 37 AUG 86	CHE 18 AUG 86
6	CN 3R279 A	LNH 14 JUN 90

M39012/19-0502 (SHEET 1 OF 2)

S-D

SCALE 4:1

KC-19-248

USED ON: AMER ELECT PO. NO. 1614

FINISH: SPEC KER-10004

MATL: BVC BULKHEAD JACK

DATE 18 JUL 79

DATE 20 JUL 79

KINGS ELECTRONICS
 344 BLENHEIM ROAD
 TUCKANDER, N.Y. 10707

M39C12/19-0502 (SHEET 1 OF 2)

ITEM	REQ'D	DESCRIPTION	PART NO.
1	1	K-GRIP SLEEVE	C-59-119-1-MG7
2	1	K-GRIP BODY	
3	1	GASKET	492A-10-M99
4	1	INSULATOR	
5	1	LOCKWASHER	492A-12-MG7
6	1	HEX NUT	492A-9-MG7
7	1	RETAINING RING	
8	1	BNC CRIMP CAPTIVE CONTACT	1-507-9M9D
9	1	CABLING INSTRUCTIONS	3-339-ZM88

M39012/19-0502 S-D
(SHEET 2 OF 2)

REVISIONS

ISSUE	CHANGES
0	ER/9516 M.A. 18 JUL 79
1	CN 22133C GJG 8 JUN 81
2	CN 28237C 80 GHC 18 AUG 80
3	CN 32279A LNM 14 JUN 90

KC-19-248 S-D

USED ON:

REF:

FINISH SPEC. KER 10004

PARTS LIST

DRAWN G T DATE 18 JUL
APPR. DATE 20 JUL 79

SEKINGS
ELECTRONICS CO., INC
TYCOWANE, NEW YORK 10907

M39012/19-0502
(SHEET 2 OF 2)

X-ON Electronics

Largest Supplier of Electrical and Electronic Components

Click to view similar products for [RF Connectors / Coaxial Connectors](#) category:

Click to view products by [Winchester](#) manufacturer:

Other Similar products are found below :

[R125315120](#) [8915-1511-000](#) [89674-0827](#) [5916-1103-603](#) [0106-001-000](#) [6-0001-3](#) [6001-7071-019](#) [6002-7051-003](#) [6002-7551-202](#) [6059674-1](#) [619550-1](#) [630059-000](#) [M39012/25-0021](#) [M39012/79-3008](#) [M39030/3-01N](#) [M39030/3-03N](#) [M3933/25-29N](#) [M3933/25-36N](#) [6500-7071-046](#) [6501-1071-002](#) [M83723/72W24576](#) [M83723/72W2457N](#) [6769](#) [CX050L2AQ](#) [7002-1541-010](#) [7003-1572-002](#) [7004-1512-000](#) [7009-1511-004](#) [7010-1511-000](#) [7029-1511-060](#) [7101-1541-010](#) [7101-1571-002](#) [7105-1521-002](#) [7145-1521-002](#) [7209-1511-011](#) [7210-1511-012](#) [7210-1511-015](#) [7210-1511-019](#) [7210-1511-040](#) [7225-1512-050](#) [7242-1511-000](#) [73137-5015](#) [73251-0111](#) [73251-0672](#) [73276-1501](#) [73366-0013](#) [73404-2300](#) [73413-6080](#) [734151610](#) [73415-5721](#)