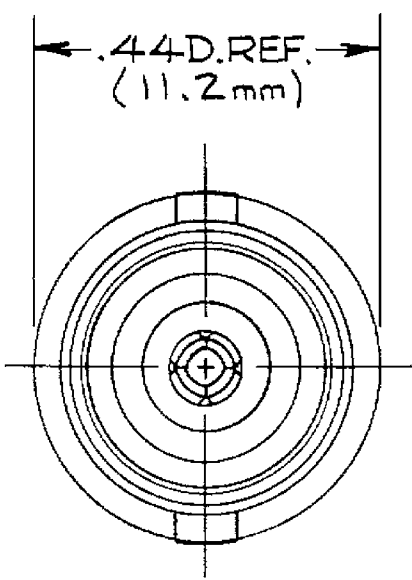
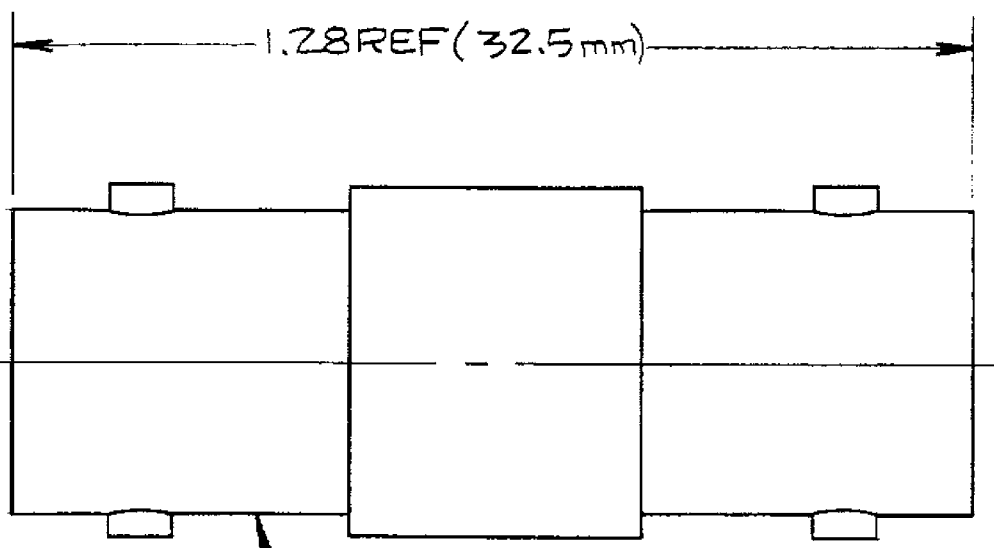


DASH NO	M CODE	MADE FROM
---------	--------	-----------

KC-99-30 GSD

REVISIONS	
ISSUE	CHANGES
6	CN 23880 C GJG 28 OCT 82



NOTES:

STAMP: KINGS KC-99-30

- MATERIALS: CENTER CONTACT - BERYLLIUM COPPER, QQ-C-530.
INSULATOR - TEFLON, L-P-403.
ALL OTHER PARTS - BRASS, QQ-B-626
- FINISHES: CENTER CONTACT - SILVER PLT. PER QQ-S-365.
ALL OTHER METAL PARTS - KINGS TARNISH RESISTANT FINISH.
- ELECTRICAL CHARACTERISTICS: NOMINAL IMPEDANCE - 50 Ω
FREQUENCY RANGE - DC TO 11 GHz
WORKING VOLTAGE 500 VOLTS RMS.

GSD

SCALE: 4:1
APPROX. SURFACE AREA: _____
USED ON: _____
REF: _____

BNC ADAPTER F-F

DRAWN <i>ZHC</i>	DATE 15 OCT 86
APPR <i>MJB</i>	DATE 17 OCT 86
APPR.	DATE

GSD

UNLESS OTHERWISE SPECIFIED:

- | | |
|---|---|
| 1. TOLERANCES: FRACTIONS & 2 PLACE DECIMALS ± .010
3 PLACE DECIMALS ± .004
T. I. R. CONCENTRICITY OF ANY 2 DIAMETERS MAY NOT EXCEED HALF THE SUM OF THEIR TOLERANCES. | 2. REMOVE ALL BURRS, BREAK SHARP EDGES .005 MAX.
3. NO FILLETS PERMITTED.
4. SURFACE ROUGHNESS 63 MICROINCHES RMS MAX.
5. ALL DIMENSIONS PRIOR TO PLATING.
6. ALL PLATING IN ACCORDANCE WITH KER 10004. |
|---|---|

KINGS
ELECTRONICS CO. INC.
TUCKAHOE, NEW YORK 10707

KC-99-30

X-ON Electronics

Largest Supplier of Electrical and Electronic Components

Click to view similar products for [RF Connectors](#) / [Coaxial Connectors](#) category:

Click to view products by [Winchester](#) manufacturer:

Other Similar products are found below :

[R125315120](#) [8915-1511-000](#) [89674-0827](#) [5916-1103-603](#) [0106-001-000](#) [6-0001-3](#) [6001-7071-019](#) [6002-7051-003](#) [6002-7551-202](#) [6059674-1](#) [619550-1](#) [630059-000](#) [M39012/25-0021](#) [M39012/79-3008](#) [M39030/3-01N](#) [M39030/3-03N](#) [M3933/25-29N](#) [M3933/25-36N](#) [6500-7071-046](#) [6501-1071-002](#) [M83723/72W24576](#) [M83723/72W2457N](#) [6769](#) [CX050L2AQ](#) [7002-1541-010](#) [7003-1572-002](#) [7004-1512-000](#) [7009-1511-004](#) [7010-1511-000](#) [7029-1511-060](#) [7101-1541-010](#) [7101-1571-002](#) [7105-1521-002](#) [7145-1521-002](#) [7209-1511-011](#) [7210-1511-012](#) [7210-1511-015](#) [7210-1511-019](#) [7210-1511-040](#) [7225-1512-050](#) [7242-1511-000](#) [73137-5015](#) [73251-0111](#) [73251-0672](#) [73276-1501](#) [73366-0013](#) [73404-2300](#) [73413-6080](#) [734151610](#) [73415-5721](#)