

IEC Appliance Connector C14 with Fuseholder, Line Switch 1- or 2-pole and Voltage Selector

Standard or Medical Fuse drawer



C14

 70 °C

**Description**

- Panel Mount:
Screw-on version from front or rear side, snap-in version from front side
- 4 Functions:
Appliance Inlet Protection class I, Line switch 1- or 2-pole, Fuseholder with interchangeable fuse drawer for Fuse-links 5 x 20 mm or 6.3 x 32 mm, with or without voltage selector (step)
- Quick connect terminals 4.8 x 0.8 mm
- Alternative: version with line filter [CD](#)

Approvals

- VDE License Number: 40011925
- UL License Number: E93617
- CSA License Number: 38456

Characteristics

- All single elements are already wired
- The fuse drawer "Fingergrip" can be removed by hand
For added safety "Extra-Safe" fuse drawers are available
Fuse drawer meets requirements of medical standard IEC/EN 60601-1
The fuse drawer can only be opened with the aid of a tool
The fuseholder is accessible from the equipment front
- Qualified for use in equipment according IEC/EN 60950

Other versions on request

- Line switch, illuminated
- Line switch with other rocker marking
- Line switch 1-pole
- For protection class II

Weblinks

[Approvals](#), [RoHS](#), [CHINA-RoHS](#), [e-Store](#), [SCHURTER-Stock-Check](#), [Distributor-Stock-Check](#)

Technical Data

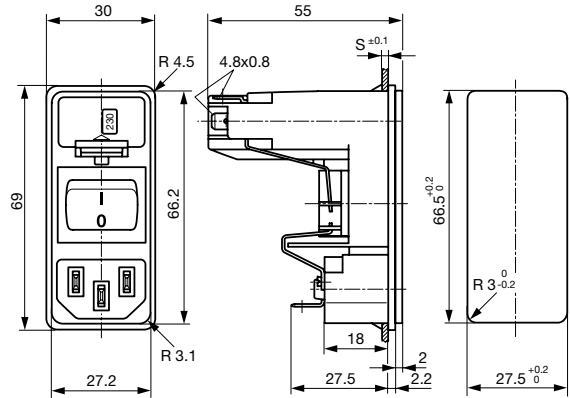
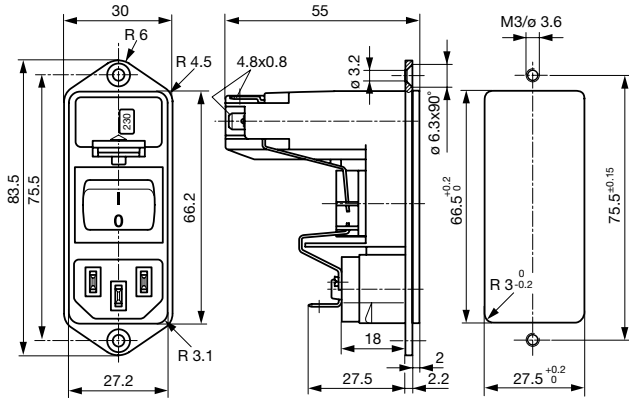
Ratings IEC	10 A / 250 VAC; 50 Hz	Appliance-Inlet/-Outlet	C14 acc. to IEC/EN 60320-1, UL 498, CSA C22.2 no. 42 (for cold conditions) pin-temperature 70 °C, 10 A, Protection class I
Ratings UL/CSA	10 A / 125 VAC; 60 Hz	Fuseholder	1 or 2 pole, Shocksafe category PC2 acc. to IEC 60127-6, for fuse-links 5 x 20 or 6.3 x 32 mm
Dielectric Strength	> 3 kVAC between L-N > 4 kVAC between L/N-PE (1 min/50 Hz)	Rated Power Acceptance @ Ta 23 °C	5 x 20: 2.5 W (1 pole)/ 2 W (2-pole) per pole 6.3 x 32: 3.15 W (1 pole)/ 2.5 W (2-pole) per pole
Allowable Operation Temp.	-25 °C to 70 °C	Power Acceptance @ Ta > 23 °C	Admissible power acceptance at higher ambient temperature see derating curves
Degree of Protection	from front side IP 40 acc. to IEC 60529	Line Switch	Rocker switch 2-pole, non-illuminated, acc. to IEC 61058-1 Technical details
Protection Class	Suitable for appliances with protection class I acc. to IEC 61140	Voltage selector	optional, step, 2-4 digits
Terminal	Quick connect terminals 4.8 x 0.8 mm, tin-plated		
Panel Thickness s	Screw-on: max 8 mm Mounting screw torque max 0.5 Nm Snap-in: 1.5/ 2/ 2.5 mm		
Material: Housing	Thermoplastic, black, UL 94V-0		

Dimensions

Screw-on mounting

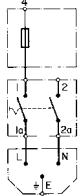
Length |-----| 83.5 mm

Snap-in mounting



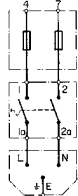
Diagrams

without voltage selector



1-pole

without voltage selector



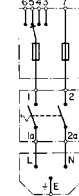
2-pole

with voltage selector



1-pole

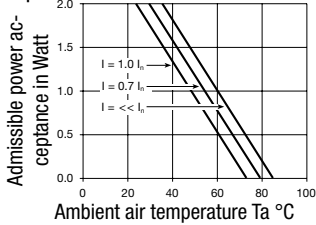
with voltage selector



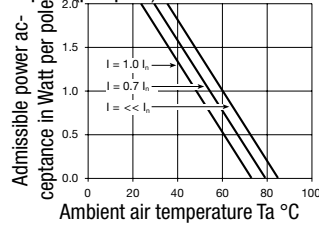
2-pole

Derating Curves

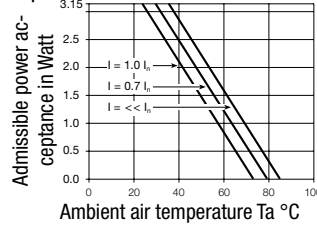
Fuses 5 x 20 mm
1-pole



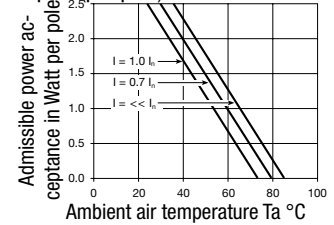
Fuses 5 x 20 mm
2-pole (per pole)



Fuses 6,3 x 32 mm
1-pole



Fuses 6,3 x 32 mm
2-pole (per pole)



[Distributor-Stock-Check](#) | [SCHURTER-Stock-Check](#) | [e-Store](#)

Fuse drawer must be ordered separately

Type	Panel mounting	Panel Thickness s [mm]	Fuseholder	Line Switch	Voltage selector max. 4 pos*	Order Number
KD	Screw-on	-	1 pole	Rocker switch	2-4 digits	KD13.4101.151
KD	Screw-on	-	1 pole	Rocker switch	without	KD13.1101.151
KD	Screw-on	-	2-pole	Rocker switch	2-4 digits	KD14.4101.151
KD	Screw-on	-	2-pole	Rocker switch	without	KD14.1101.151
KD	Snap-in	1.5	1 pole	Rocker switch	2-4 digits	KD13.4101.105
KD	Snap-in	2	1 pole	Rocker switch	2-4 digits	KD13.4101.107
KD	Snap-in	2.5	1 pole	Rocker switch	2-4 digits	KD13.4101.109
KD	Snap-in	1.5	1 pole	Rocker switch	without	KD13.1101.105
KD	Snap-in	2	1 pole	Rocker switch	without	KD13.1101.107
KD	Snap-in	2.5	1 pole	Rocker switch	without	KD13.1101.109
KD	Snap-in	1.5	2-pole	Rocker switch	2-4 digits	KD14.4101.105
KD	Snap-in	2	2-pole	Rocker switch	2-4 digits	KD14.4101.107
KD	Snap-in	2.5	2-pole	Rocker switch	2-4 digits	KD14.4101.109
KD	Snap-in	1.5	2-pole	Rocker switch	without	KD14.1101.105

Type	Panel mounting	Panel Thickness s [mm]	Fuseholder	Line Switch	Voltage selector max. 4 pos*	Order Number
KD	Snap-in	2	2-pole	Rocker switch	without	KD14.1101.107
KD	Snap-in	2.5	2-pole	Rocker switch	without	KD14.1101.109

Can be used as 2-/3-position voltage selector - take only corresponding terminals

Packaging unit 20 Pcs

Required Accessory

Description

Fusedrawer 3

Drawers for fuse links 5x20mm resp. 6.3x32mm



Fingergrip, 5 x 20, 2-pole, Voltage selector	4303.2014.00
Fingergrip, 5 x 20, 2-pole, Voltage selector, 100, 120, 220, 240	4303.2014.01
Fingergrip, 5 x 20, 2-pole, Voltage selector, 110, 150, 220	4303.2014.02
Fingergrip, 5 x 20, 2-pole, Voltage selector, 110, 220	4303.2014.03
...	

Accessory



Assorted Covers
Rear Cover

0859.0074



Cord retaining kits
Cord retaining strain relieve

Flat head, A	4700.0001
--------------	-----------

Mating Outlets/Connectors

Category / Description



Appliance Outlet

IEC appliance outlet F, screw-on mounting, front side, solder /quick connect terminal	4787
IEC appliance outlet F, screw-on mounting, front side, solder /quick connect terminal	4788
IEC appliance outlet F oder H, screw-on mounting, front side, solder/PCB/quick connect terminal	5091
IEC appliance outlet F oder H, screw-on mounting, front side, solder/quick connect terminal	5092

Connector



IEC cord connector C15, rewirable, straight	0101
IEC cord connector C15A, rewirable, straight	0102
IEC cord connector C15A, rewirable, straight	0102-G
IEC cord connector C15A, rewirable, angled	0112
IEC cord connector C13, rewirable, angled	4012
IEC cord connector C13, rewirable, angled	4013
IEC cord connector C13, rewirable, straight	4020
IEC cord connector C13, rewirable, straight	4021
IEC cord connector C13, rewirable, straight	4022
IEC cord connector C13, rewirable, angled	4300-06
	...

Power Supply or Interconnection Cord



Power Cord with IEC Appliance Connector C13, angled, 70°C	0311
Power Cord with IEC Appliance Connector C13, angled, 70°C	3011
Power Cord with IEC Appliance Connector C13, angled, 70°C	3012
Power Cord with IEC Appliance Connector C13, angled, 70°C	3013
Power Cord with IEC Appliance Connector C13, 70°C	3020
Power Cord with IEC Appliance Connector C13, straight, 70°C	3027
Power Cord with IEC Appliance Connector C13, straight, 70°C	302U
Power Cord with IEC Appliance Connector C13, straight, 70°C	3030
Power Cord with IEC Appliance Connector C13, angled, 70°C	311L
Power Cord with IEC Appliance Connector C13, angled, 70°C	312L
	...

X-ON Electronics

Largest Supplier of Electrical and Electronic Components

Click to view similar products for [AC Power Entry Modules](#) category:

Click to view products by [Schurter](#) manufacturer:

Other Similar products are found below :

[0098.0050](#) [6-1609987-9](#) [6167.0002](#) [7-6609955-2](#) [FN389-4-22](#) [FN9233ER-12-06](#) [FN9233S1-10-06](#) [FN9233S1-8-06](#) [FN9233S1B-8-06](#)
[FN9233S1R-1-06](#) [FN9233S1R-12-06](#) [FN9233SB-1-06](#) [FN9233SB-12-06](#) [FN9233SB-8-06](#) [FN9233SR-10-06](#) [FN9233SR-3-06](#) [FN9244B-15-06](#)
[HI](#) [FN9244EB-3-06](#) [FN9244EB-8-06](#) [FN9244ER-15-06](#) [FN9244ER-8-06](#) [FN9244ES1-8-06](#) [FN9244ESB-8-06](#) [FN9244EU-6-06](#)
[FN9244R-12-06](#) [FN9244R-3-07](#) [FN9244R-8-06](#) [FN9244S1-10-06](#) [FN9244S1-12-06](#) [FN9244S1-3-06](#) [FN9244S1B-6-06](#) [FN9244S1R-3-06](#)
[FN9244S-6-06](#) [FN9244SB-10-06](#) [FN9244SB-6-06](#) [FN9244SB-8-06](#) [FN9244SR-10-06](#) [FN9244SR-6-06](#) [FN9244U-3-06](#) [FN9244U-8-06](#)
[FN9260A-6-06](#) [PE00SSSXB](#) [Fuse-H-EUR-1](#) [Fuse-H-USA-1](#) [PM00XD000](#) [PS0SSDBX0](#) [PS0SXSH3B](#) [A-0701-HT-H](#) [RAPC3FG](#) [15EJMS8](#)