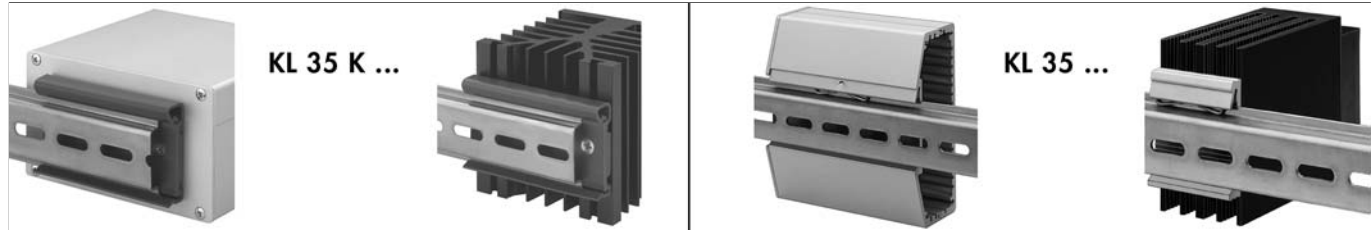
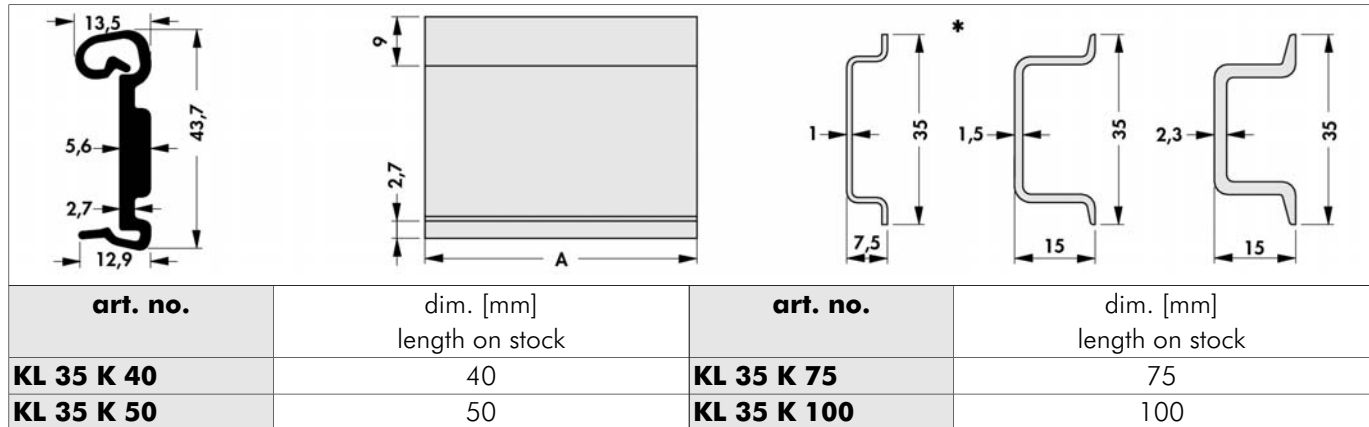


Fastening for mounting rail

universal, solid plastic clip fastening for all 35 mm mounting rails; **suitable for rail material thicknesses from 1 to 2.3 mm according to DIN EN 50 022**; registered design DE 200 07 435.0; **fast and easy mounting of heatsinks, casings etc. due to direct snap up on the mounting rail**



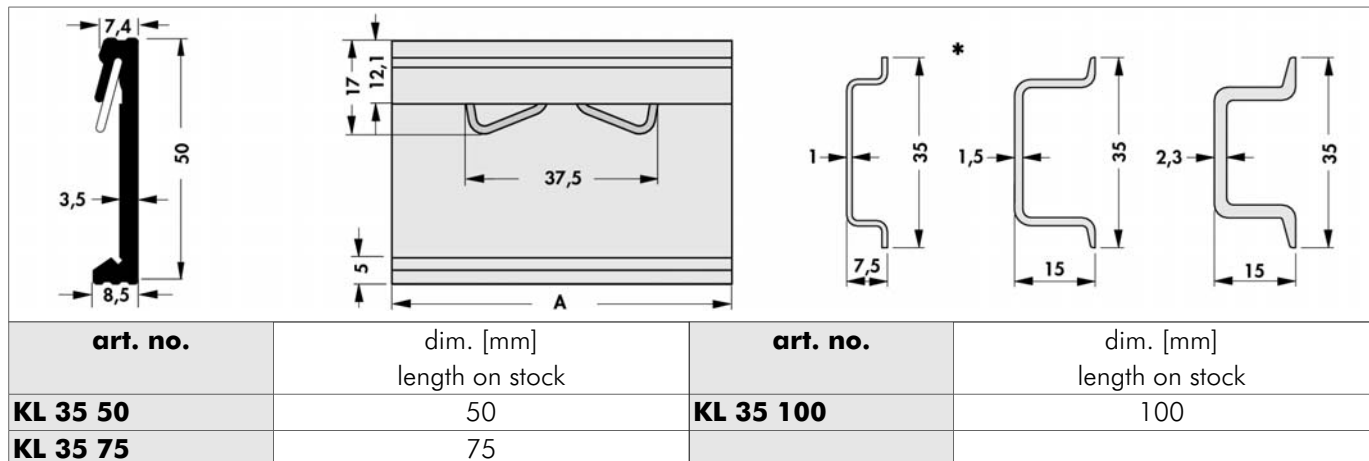
safe hold due to a stable extruded plastic profile with integrated spring back; **electroconductive material or surface on request**; special lengths and treatments on customer's request



* = examples of mounting rail versions suitable for KL 35 K

material	rigid PVC
heat distortion	-30 °C ... +80 °C
colour	anthracite grey
flammability	UL 94 V-0

safe hold due to a stable extruded profile with integrated stainless steel spring; **special lengths (≥ 40 mm)**, treatments and surfaces on request



* = examples of mounting rail versions suitable for KL 35

surface clear anodised

material	aluminium
-----------------	-----------

Distance sleeves for PCB's in HP grid → E 31
 Extractors for guide rails → E 22
 Insulating clamping parts → E 38
 Miniature distance sleeves → E 26

Mounting pads for transistors → E 40
 Mounting parts for heatsinks → E 42 - 43
 Heatsink profile-overview → A 13 - 16
 Vibration dampers → E 34

X-ON Electronics

Largest Supplier of Electrical and Electronic Components

Click to view similar products for [Enclosures, Boxes, & Cases](#) category:

Click to view products by [Fisher](#) manufacturer:

Other Similar products are found below :

[CR-425 PAINTED](#) [585-R-WH-PK](#) [M-10-PLATED](#) [60221-01](#) [60566-01-000](#) [HPL-9VB BATT DOOR](#) [M-16-LID-PLATED](#) [M18-PLTD](#) [M-21-LID-PLATED](#) [M-21-PLATED](#) [M-23-PLATED](#) [CU-281-MB](#) [6711GSKT](#) [71884-29-028](#) [LH45-100 Black](#) [7200B](#) [72868-510-000](#) [CNS-0000 Black](#) [72883-510-000](#) [CNS-0101 Black](#) [72906-510-000](#) [CNS-0407 Black](#) [73091-510-000](#) [CNM-0000-BLACK Kit](#) [73092-510-000](#) [CNM-0101 Black](#) [73108-510-000](#) [CNL-0303 Black](#) [73395-510-039](#) [CNS-0006 Bone](#) [74257-510-000](#) [CNL-0004](#) [MDC-1183-PLAIN-ALUM](#) [MDC-1183-PTD](#) [MDC-13104-PLAIN-ALUM](#) [MDC-211 - PAINTED IVORY/BEIGE](#) [MDC-321-PTD](#) [MDC-432-PLAIN-ALUM](#) [MDC-973-PTD](#) [76](#) [77153-01-028](#) [FLX6030](#) [83535-01-508](#) [PS-11296-G](#) [PS-11298-B](#) [116-508](#) [120-407](#) [120-412](#) [120-909](#) [120-455](#) [R272-100-000](#) [120-910](#) [R501-001-010](#) [R508-080-000](#) [R508-160-000](#) [R530-120-000](#) [R530-122-000](#) [R530-200-000](#) [R531-160-000](#) [R531-200-000](#) [R582-080-100](#)