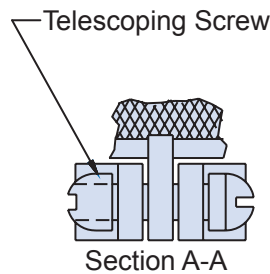
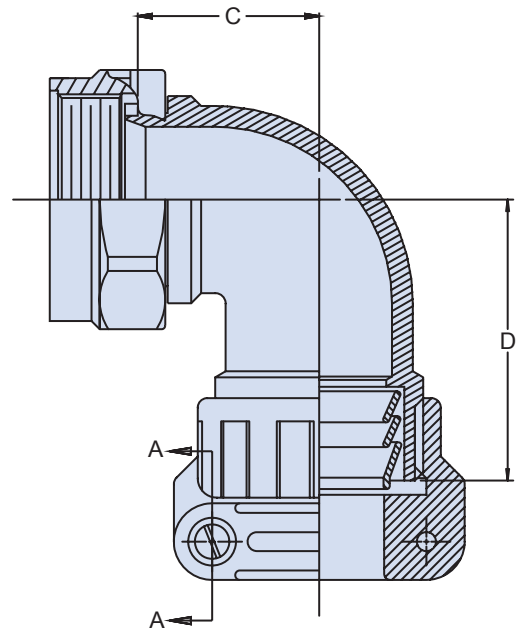
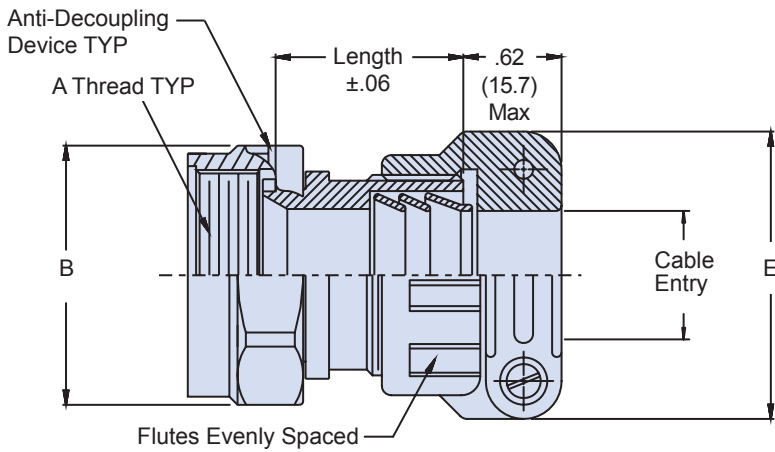
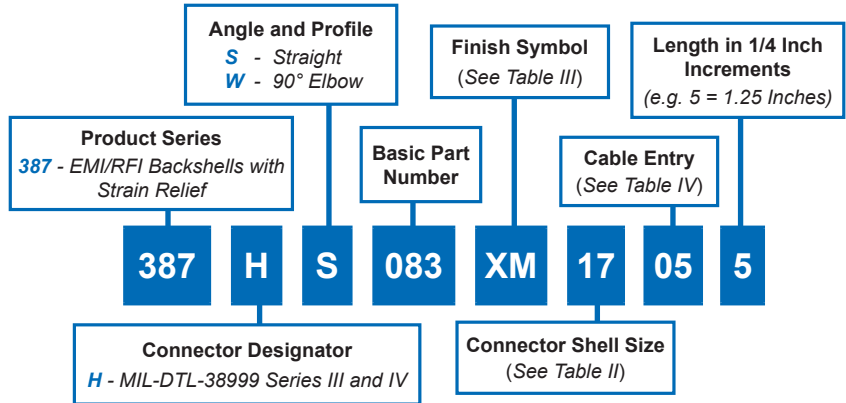


# 387-083 Composite Multi-Shield Cone and Ring Style EMI/RFI Shield Termination Backshell with Self-Locking Rotatable Coupling and Strain Relief

A

| CONNECTOR DESIGNATOR:     |                                 |
|---------------------------|---------------------------------|
| <b>H</b>                  | MIL-DTL-38999 Series III and IV |
| <b>SELF-LOCKING</b>       |                                 |
| <b>ROTATABLE COUPLING</b> |                                 |
| <b>STANDARD PROFILE</b>   |                                 |

Note: See Table I in Intro for Front-End Dimensional Details



### NOTES

1. See Table I in Intro for front-end dimensional details.
2. Coupling nut supplied plated.
3. Metric dimensions (mm) are in parenthesis and are for reference only.

**387-083**  
**Composite Multi-Shield Cone and Ring Style**  
**EMI/RFI Shield Termination Backshell**  
**with Self-Locking Rotatable Coupling and Strain Relief**



| TABLE II: SHELL SIZE |                 |                     |             |               |               |                     |
|----------------------|-----------------|---------------------|-------------|---------------|---------------|---------------------|
| Shell Size           | Shell Size Code | A Thread ISO Metric | B Max       | C ±.078 (2.0) | D ±.078 (2.0) | Max Available Entry |
| 09                   | A               | M12x 1-6H           | .94 (23.9)  | .722 (18.3)   | 1.750 (44.4)  | 04                  |
| 11                   | B               | M15x 1-6H           | 1.06 (26.9) | .784 (19.9)   | 1.820 (46.2)  | 06                  |
| 13                   | C               | M18x 1-6H           | 1.17 (29.7) | .816 (20.7)   | 1.860 (47.2)  | 08                  |
| 15                   | D               | M22x 1-6H           | 1.29 (32.8) | .878 (22.3)   | 1.880 (47.8)  | 10                  |
| 17                   | E               | M25x 1-6H           | 1.42 (36.1) | .942 (23.9)   | 1.942 (49.3)  | 12                  |
| 19                   | F               | M28x 1-6H           | 1.54 (39.1) | 1.003 (25.5)  | 2.000 (50.8)  | 14                  |
| 21                   | G               | M31x 1-6H           | 1.67 (42.4) | 1.037 (26.3)  | 2.062 (52.4)  | 16                  |
| 23                   | H               | M34x 1-6H           | 2.01 (51.1) | 1.116 (28.3)  | 2.194 (55.7)  | 17                  |
| 25                   | J               | M37x 1-6H           | 2.12 (53.8) | 1.194 (30.3)  | 2.257 (57.3)  | 20                  |

| TABLE IV: CABLE ENTRY |              |                         |
|-----------------------|--------------|-------------------------|
| Dash Number           | E Max        | Cable Entry ±.039 (1.0) |
| 04                    | 1.125 (28.6) | .312 (7.9)              |
| 06                    | 1.250 (31.8) | .437 (11.1)             |
| 08                    | 1.312 (33.3) | .500 (12.7)             |
| 10                    | 1.438 (36.5) | .625 (15.9)             |
| 12                    | 1.625 (41.3) | .750 (19.1)             |
| 14                    | 1.688 (42.9) | .874 (22.2)             |
| 16                    | 1.750 (44.5) | .937 (23.8)             |
| 17                    | 1.906 (48.5) | 1.094 (27.8)            |
| 20                    | 2.062 (52.4) | 1.250 (31.8)            |

| TABLE III: FINISH |  |
|-------------------|--|
| Symbol            | Finish Description   |
| XM                | 2000 Hour Corrosion Resistant Electroless Nickel   |
| XMT               | 2000 Hour Corrosion Resistant Ni-PTFE, Nickel-Fluorocarbon Polymer. <i>1000 Hour Grey™</i> |
| XW                | 2000 Hour Corrosion Resistant Cadmium/Olive Drab over Electroless Nickel                   |

| BACKSHELL WEIGHT                 |             |                 |                             |             |                 |
|----------------------------------|-------------|-----------------|-----------------------------|-------------|-----------------|
| Symbol "S" Straight Weight Table |             |                 | Symbol "W" 90° Weight Table |             |                 |
| Shell Size                       | Dash Number | Max Weight (KG) | Shell Size                  | Dash Number | Max Weight (KG) |
| 09                               | 04          | .0296           | 09                          | 04          | .0326           |
| 11                               | 06          | .0327           | 11                          | 06          | .0360           |
| 13                               | 08          | .0370           | 13                          | 08          | .0420           |
| 15                               | 10          | .0430           | 15                          | 10          | .0480           |
| 17                               | 12          | .0500           | 17                          | 12          | .0550           |
| 19                               | 12          | .0560           | 19                          | 12          | .0610           |
| 21                               | 16          | .0640           | 21                          | 16          | .0690           |
| 23                               | 16          | .0700           | 23                          | 16          | .0750           |
| 25                               | 20          | .0750           | 25                          | 20          | .0800           |

## X-ON Electronics

Largest Supplier of Electrical and Electronic Components

*Click to view similar products for [Circular MIL Spec Backshells](#) category:*

*Click to view products by [Glenair](#) manufacturer:*

Other Similar products are found below :

[5M2919-3DW](#) [5M2920-3CW](#) [5M2953-1HW](#) [60-036152-022](#) [610HS012M15](#) [M28840/504WA](#) [M28840/805WB](#) [M28840/809WA](#)  
[M28840/815WA](#) [M28840/816WA](#) [627AS017M14](#) [62GB5851608S](#) [655HS002NF11](#) [CW3703-000](#) [CW3899-000](#) [M85049/10-134S](#)  
[M85049/10-17S](#) [M85049/10-33S](#) [M85049/10-94W](#) [M85049/11-09W](#) [M85049/11-28N](#) [M85049/11-37N](#) [M85049/11-53N](#) [M85049/11-63N](#)  
[M85049/118-20W](#) [M85049/124-23W](#) [M85049/124S09W](#) [M85049/126S23W](#) [M850491712W02](#) [M85049/1720N04B](#) [M85049/1817N06](#)  
[M850491819W03](#) [M85049/1821W05C](#) [M85049/1825W06C](#) [M85049/1919N05](#) [M85049/1919W04](#) [M850491919W07](#) [M85049/23-59W](#)  
[M85049/23-74W](#) [M8504924-5W](#) [M85049/24-71N](#) [M85049/25-47N](#) [M85049/25-94W](#) [M85049/27S12N](#) [M8504938-13S](#) [M85049/38-19S](#)  
[M85049/39-11S](#) [M85049/39-17S](#) [M85049/39-9S](#) [M85049/3W4A2](#)