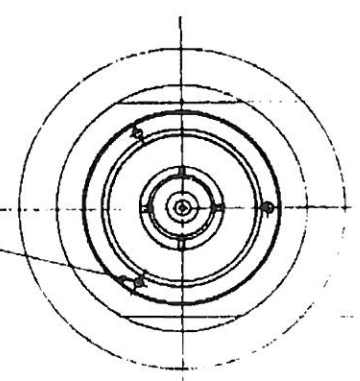


NOTES:
 1. FOR USE WITH RG-218/U CABLE.
 2. FOR CABLING PROCEDURE SEE CP 1018.

UNLESS OTHERWISE SPECIFIED:
 1. TOLERANCES: FRACTIONS & 2 PLACE DECIMALS & .010
 3 PLACE DECIMALS & .004 ANGLES & °'30"
 T.I. R. CONCENTRICITY OF ANY 2 DIAMETERS MAY NOT EXCEED HALF THE SUM OF THEIR TOLERANCES.
 2. REMOVE ALL BURRS, BREAK SHARP EDGES .005 MAX.
 3. NO FILLETS PERMITTED.
 4. SURFACE ROUGHNESS 63 MICROINCHES RMS MAX.
 5. ALL DIMENSIONS PRIOR TO PLATING.



5/8 - 24 UNEF - 2 B THREAD

DATE CODE XXXX

DATE CODE XXXX

.87 REF (22.09 MM)

.95 D. REF 3 HOLES (.76 MM)

S-D

(SHEET 1 OF 2)

M39012/01-0104

ISSUE	REVISIONS
0	EC 17930 NM 6 JAN 77
1	CN 23169 E JEP 15 APR 82
2	CN 29944 D AMD 20 JUN 88
3	CN 32243 A LNM 1 JUN 90

SCALE: 2:1

USED ON: KN-59-295
 REVISIONS:
 FINISH: SPEC. KEK 10004
 MTLT:
 SPEC:
 N PLUG

DRAWN BY: DATE: 6 JAN 78
 APPR: DATE: 11/2/78
 KINGS ELECTRONICS
 40 MARSHALL ROAD
 TUCKAHOE, N. Y. 10787

S-D

M39012/01-0104

(SHEET 1 OF 2)

S-D

ITEM	REQ'D	DESCRIPTION	PART NO.
1	1	CLAMP NUT	167A-2-MC7
2	1	BODY	
3	1	WASHER	167A-4-MC7
4	1	GASKET	708-5-M99
5	1	BRAID CLAMP	708-4-MC7
6	1	WASHER	1-1756-1MC7
7	1	INSULATOR	1-1753-1M99
8	1	INSULATOR	1-5520-1M99
9	1	N CONTACT M	1-1755-1M9D
10	1	C-RING	
11	1	GASKET	
12	1	OUTER CONTACT	
13	1	COUPLING NUT	
14	1	CABLING INSTRUCTIONS	3-83-2M88

ISSUE	REVISIONS	CHANGES
1	CN 23169 E	JEP 13 APR 82
2	CN 29944 D	AMD 20 JUN 88
3	CN 32243 A	LMN 1 JUN 90

USED ON: KN-59-295

REF:

FINISH

SPEC: KER 10004

MATL

SPEC:

PARTS LIST

DRAWN M M DATE 6 JAN 78

APPR. DATE 1-16-78

KINGS ELECTRONICS
40 MARBLEDALE ROAD
TUCKAHOE, N. Y. 10707

S-D M39012/01-0104
(SHEET 2 OF 2)

- UNLESS OTHERWISE SPECIFIED:
1. TOLERANCES: FRACTIONS & 2 PLACE DECIMALS & .010
 2. REMOVE ALL BURRS. BREAK SHARP EDGES .005 MAX.
 3. PLACE DECIMALS & .004
 3. NO FILLETS PERMITTED.
 4. SURFACE ROUGHNESS 63 MICROINCHES RMS MAX.
 5. ALL DIMENSIONS PRIOR TO PLATING.
- T. I. R. CONCENTRICITY OF ANY 2 DIAMETERS MAY NOT EXCEED HALF THE SUM OF THEIR TOLERANCES.

X-ON Electronics

Largest Supplier of Electrical and Electronic Components

Click to view similar products for [RF Connectors / Coaxial Connectors](#) category:

Click to view products by [Winchester](#) manufacturer:

Other Similar products are found below :

[R125315120](#) [8915-1511-000](#) [89674-0827](#) [5916-1103-603](#) [0106-001-000](#) [6-0001-3](#) [6001-7071-019](#) [6002-7051-003](#) [6002-7551-202](#) [6059674-1](#) [619550-1](#) [630059-000](#) [M39012/25-0021](#) [M39012/79-3008](#) [M39030/3-01N](#) [M39030/3-03N](#) [M3933/25-29N](#) [M3933/25-36N](#) [6500-7071-046](#) [6501-1071-002](#) [M83723/72W24576](#) [M83723/72W2457N](#) [6769](#) [CX050L2AQ](#) [7002-1541-010](#) [7003-1572-002](#) [7004-1512-000](#) [7009-1511-004](#) [7010-1511-000](#) [7029-1511-060](#) [7101-1541-010](#) [7101-1571-002](#) [7105-1521-002](#) [7145-1521-002](#) [7209-1511-011](#) [7210-1511-012](#) [7210-1511-015](#) [7210-1511-019](#) [7210-1511-040](#) [7225-1512-050](#) [7242-1511-000](#) [73137-5015](#) [73251-0111](#) [73251-0672](#) [73276-1501](#) [73366-0013](#) [73404-2300](#) [73413-6080](#) [734151610](#) [73415-5721](#)