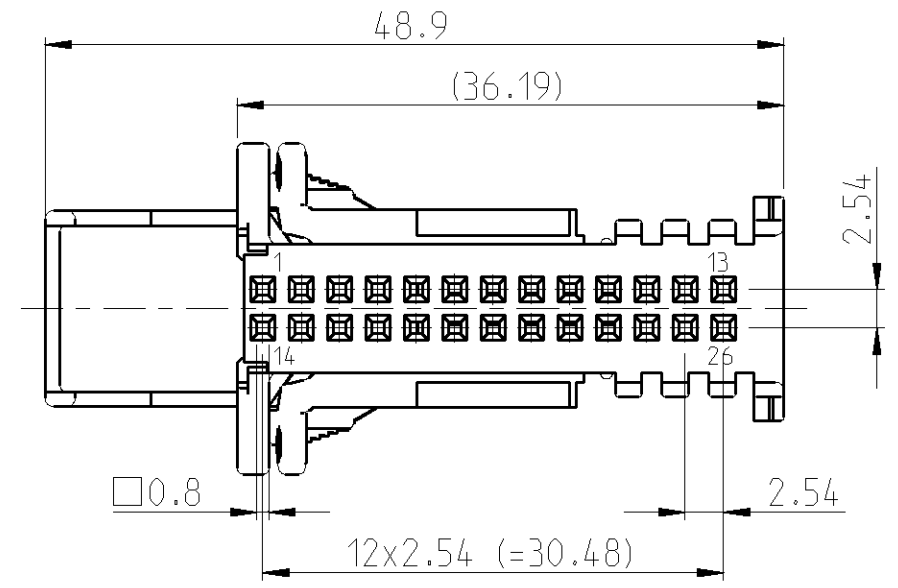


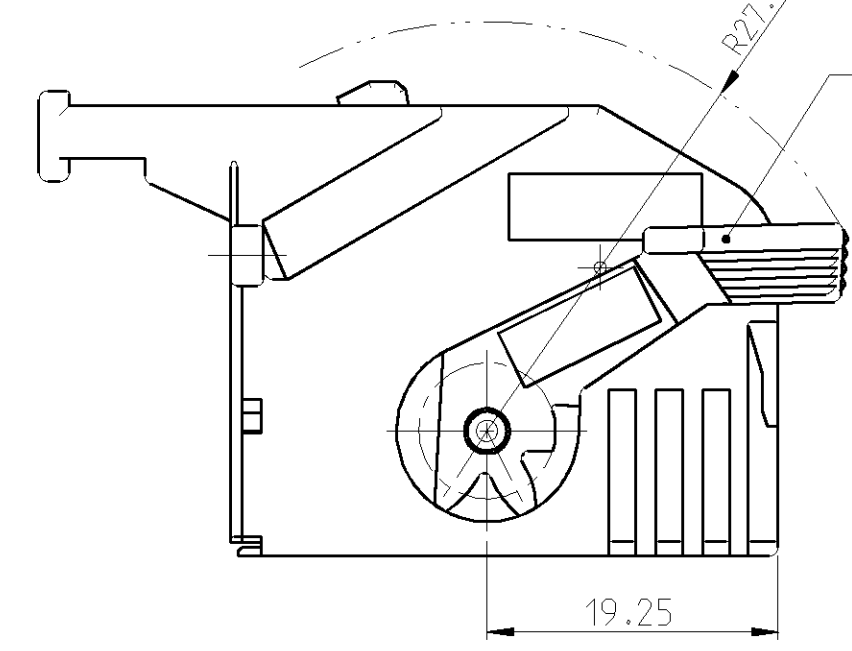
THIS DRAWING IS UNPUBLISHED. RELEASED FOR PUBLICATION 2009
 © COPYRIGHT 2009 BY TYCO ELECTRONICS CORPORATION. ALL INTERNATIONAL RIGHTS RESERVED.

Loc		DIST		REVISIONS			
PART REV.	P	LTR	DESCRIPTION	DATE	DWN	APVD	
A1							
02		02	WO 95/3708	07MAR1995	rvh	rvh	
03		03	WO 97/3778	13MAY1997	rvh	rvh	
03		03a	ueberarbeitet	24OCT2000	Abr	Zitz	
03		A	New drawing created.	12AUG2010	Kirsch	Zitz	

DESING A
Ausfuehrung A



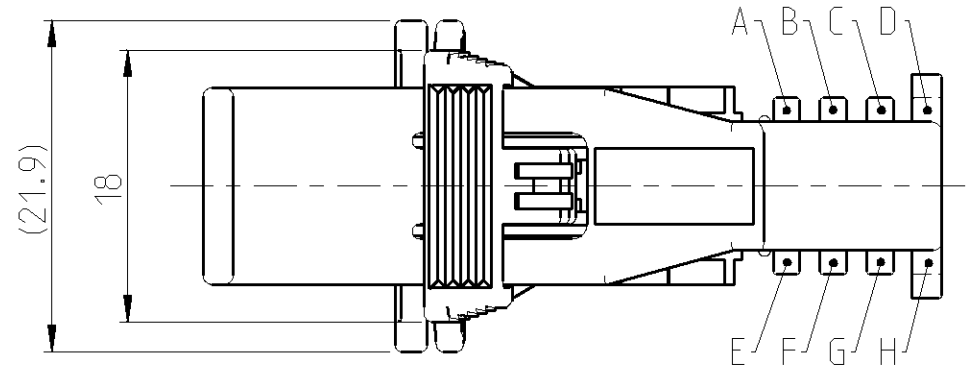
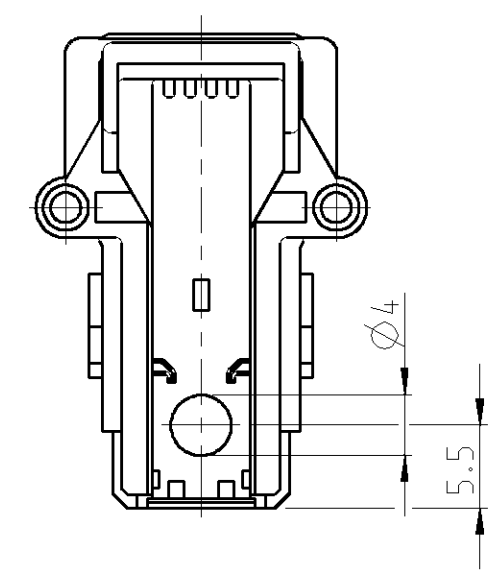
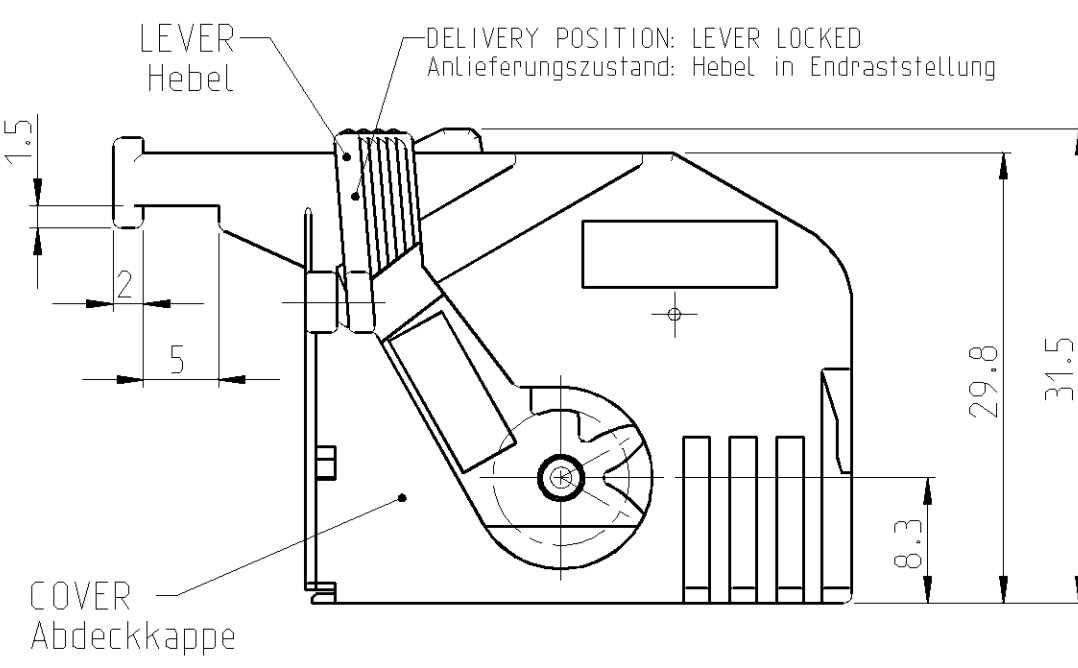
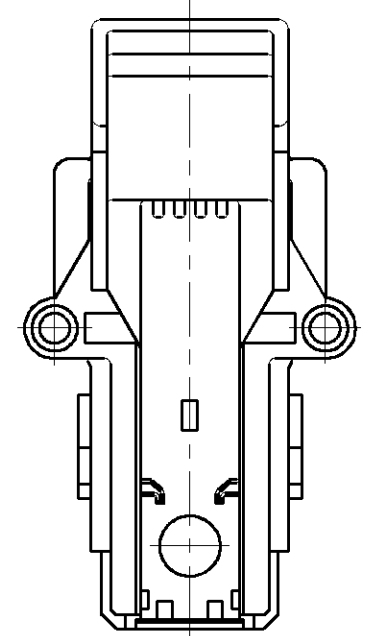
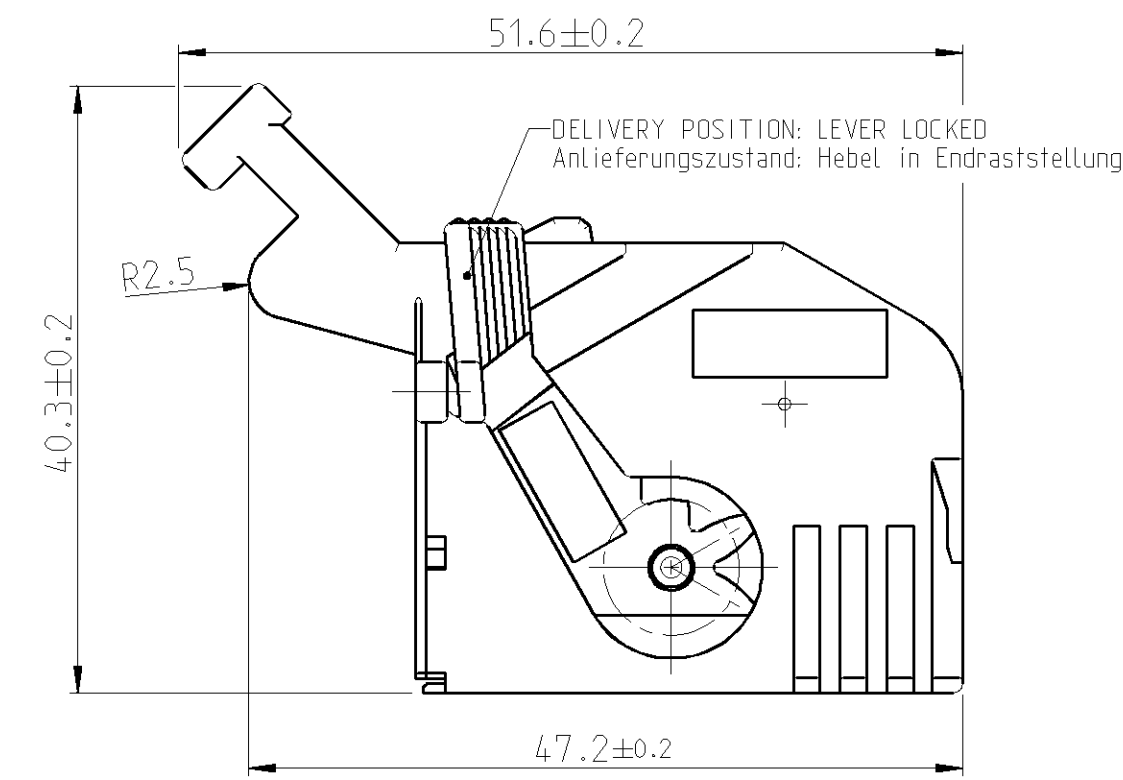
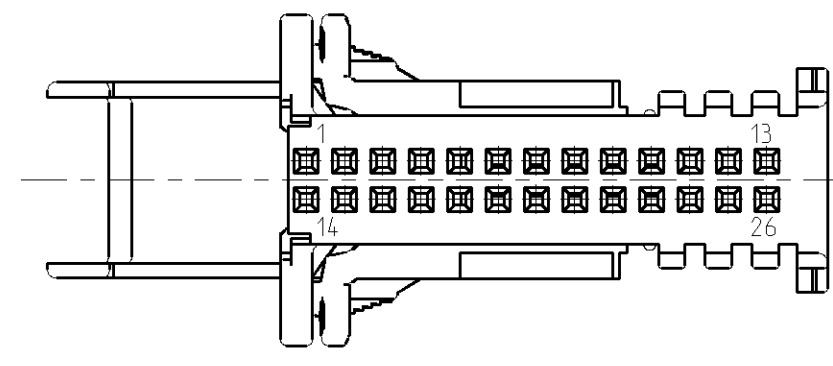
ASSEMBLY POSITION
Montagezustand



ASSEMBLY POSITION: LEVER UNLOCKED
Montagezustand: Hebel in Vorraststellung

DESIGN B
Ausfuehrung B

(MISSING DIMENSIONS SEE DESIGN A)
(Fehlende Masse siehe Ausfuehrung A)



NOTES:
Bemerkungen:

- DRAWN WITH ALL CODINGS
gezeichnet mit allen Kodierungen
 - PART-NO. ACCORDING TO LETTERING DIN 1451
Teile-Nr. nach Mittelschrift DIN 1451
 - SUITABLE TO PIN STRIP:
V23540-M1126-B5** (PN 4-1393375-3 TO -9 AND PN 5-1393375-0)
V23540-M1626-D5** (PN 5-1393375-3/*-5/*-7/*-8 AND 6-1393375-0/*-2 TO -5)
V23540-M1626-F5** (PN 6-1393375-7/*-8 AND 7-1393375-0/*-1/*-3/*-5 TO *-9)
V23540-M1026-Y1 (PN 4-1393476-3 / 5-1393476-0/*-1)
 - SUITABLE SOCKET HOUSING:
V23540-M1026-Q50* (PN 0-1393374-2)
- 5 COVER: PBT-GF30; COLOUR: SEE TABLE
Kappe: PBT-GF30; Farbe: siehe Tabelle
LEVER: PBT-GF20; COLOUR: TURQUOISE BLUE
Hebel: PBT-GF20; Farbe: fuerkisblau

REPLACEMENT FOR SE-DRAWING
V23540-M1026-S500-*27
Ersatz fuer SE-Zeichnung
V23540-M1026-S500-*27

V23540-M1026-S509	-	V23540-M1026-Y209	-	D - E	TURQUOISE BLUE
V23540-M1026-S508	-	V23540-M1026-Y208	-	A - H	ORANGE
V23540-M1026-S507	-	V23540-M1026-Y207	-	D - F	LILAC
V23540-M1026-S506	-	V23540-M1026-Y206	-	B - H	GREY
V23540-M1026-S505	-	V23540-M1026-Y205	2-1393434-2	D - G	BROWN
V23540-M1026-S504	1-1393434-6	V23540-M1026-Y204	2-1393434-1	C - H	GREEN
V23540-M1026-S503	1-1393434-5	V23540-M1026-Y203	2-1393434-0	A - E	YELLOW
V23540-M1026-S502	1-1393434-4	V23540-M1026-Y202	1-1393434-9	B - F	SIGNAL BLUE
V23540-M1026-S501	1-1393434-3	V23540-M1026-Y201	1-1393434-8	C - G	BEIGE
V23540-M1026-S500	1-1393434-2	V23540-M1026-Y200	1-1393434-7	D - H	BLACK
SE-ORDER-NO.	TE-ORDER-NO.	SE-ORDER-NO.	TE-ORDER-NO.	GEOMETRIC	COLOUR
DESIGN A WITH CABLE OUTLET 90°		DESIGN B WITH CABLE OUTLET 45°		CODING	

<small>THIS DRAWING IS A CONTROLLED DOCUMENT FOR TYCO ELECTRONICS CORPORATION IT IS SUBJECT TO CHANGE AND THE CONTROLLING ENGINEERING ORGANIZATION SHOULD BE CONTACTED FOR THE LATEST REVISION.</small>		DWN V. Houdenhoeye 16SEP1992 CHK EC B EA 16SEP1992 APVD EC B EA 16SEP1992	Tyco Electronics AMP GmbH 64625 Bensheim (Germany)
DIMENSIONS: mm 		TOLERANCES UNLESS OTHERWISE SPECIFIED: 0 PLC ± 1 PLC ± 2 PLC ± 3 PLC ± 4 PLC ± ANGLES ± FINISH	NAME 26POS. COVER WITH LEVER 26pol. Abdeckkappe mit Hebel SIZE A2 CAGE CODE 00779 DRAWING NO. C-1393434 RESTRICTED TO -
MATERIAL 5 		PRODUCT SPEC - APPLICATION SPEC - WEIGHT - CUSTOMER DRAWING	SCALE 2:1 SHEET 1 OF 1 REV A

ISO 8015
DIN 16901-130
DIN ISO 2768-mH

X-ON Electronics

Largest Supplier of Electrical and Electronic Components

Click to view similar products for [Heavy Duty Power Connectors](#) category:

Click to view products by [TE Connectivity](#) manufacturer:

Other Similar products are found below :

[1424439](#) [1424438](#) [09330062652](#) [2-8675P1](#) [580129-2](#) [605601-1](#) [6340G1](#) [6341G1](#) [6360G1](#) [6373G1](#) [6374g2](#) [6396G1](#) [647757-1](#) [66394-4](#)
[6643411-1](#) [6646058-2](#) [6646137-1](#) [6646138-1](#) [6646348-1](#) [6646479-1](#) [6646608-1](#) [6646786-1](#) [6646940-1](#) [6651091-1](#) [6651525-1](#) [6651529-1](#)
[6651778-1](#) [6651788-1](#) [696465-1](#) [696475-1](#) [73000005059](#) [73000005349](#) [73000005642](#) [73080255059](#) [73080965046](#) [765-15-0080A](#)
[765-16-0080B](#) [789.700-44](#) [789.700-54](#) [80-1010](#) [80-9](#) [827381-1](#) [829992-1](#) [902-77-02113](#) [PL00U-301-10D10](#) [PM103MOOLOO](#)
[PM16S1620S32-50](#) [PM212MOOLOO](#) [PM309FOOLOO](#) [PM324FOOLCH](#)