

PART NO.	"A" REF.	MAX. BUNDLE DIA. "B"	TO BE USED WITH	FIGURE NO.
CAT-05-PP-BL	2.09 (53)	.24 (6)	SHR-05-YYY*	2
CAT-08-PP	2.80 (71)	.37 (9.5)	SHR-08-YYY*	1
CAT-15-PP	3.19 (81)	.63 (16)	SHR-15-YYY*	
CAT-20-PP	3.94 (100)	.79 (20)	SHR-20-YYY*	
CAT-25-PP	4.45 (113)	.96 (24.5)	SHR-25-YYY*	
CAT-32-PP	5.67 (144)	1.22 (31)	SHR-32-YYY*	

\*YYY-SHR MATERIAL

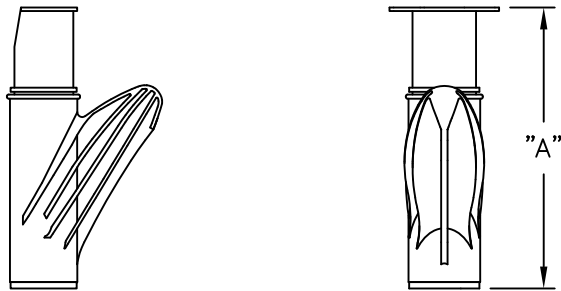
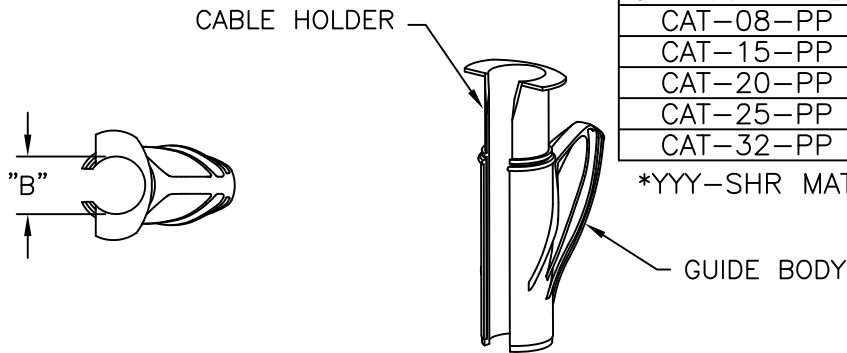


FIGURE 1.  
 MATERIAL: A) GUIDE BODY: -POLYPROPYLENE (RMS-268); COLOR: ORANGE.  
 B) CABLE HOLDER - POLYACETAL (RMS-267), COLOR: WHITE

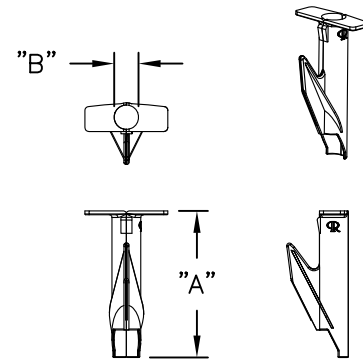


FIGURE 2.  
 MATERIAL: POLYPROPYLENE (RMS-150); COLOR: BLUE.

NOTES:

- FIGURE 1. TOOL AVAILABLE IN BULK PACKAGES OF 100/BOX. TO ORDER ADD "-BU" TO THE PART NO.
- CAT-20, "-25" AND "-32" AVAILABLE IN GLASS FILLED NYLON (RMS-253) FOR HEAVY DUTY APPLICATION. TO ORDER, REPLACE "-PP" WITH "-IX"; COLOR: BLUE.

TITLE: CABLE APPLICATOR TOOL			DWG IN IN (MM)		FINAL				
D	SEE CO 200297 FOR CHANGES	SK 12.16.08	FILE #	CAT	DWN:	SM	APP:	PART #	PRINT TYPE
C	SEE CO 200219 FOR CHANGES	SK 07.21.08	MAT'L:	SEE NOTES	DT:	03.01.02	DT:		
B	SEE ECN #1319 FOR CHANGES	SK 04.19.07	RE:	RICHCO, INC.		RICHCO INC.			
A	REDRAWN FROM RICHCO UK	SM 03.01.02			PO BOX 804238, CHICAGO, 60680				
REV	DESCRIPTION	ENGR DATE			(773) 539-4060				

TOLERANCES UNLESS NOTED  
 .XX=±.010  
 .XXX=±.005  
 FRAC=±1/64  
 ANG=±1'

## X-ON Electronics

Largest Supplier of Electrical and Electronic Components

*Click to view similar products for [Non-Heat Shrink Tubing and Sleeves](#) category:*

*Click to view products by [Richco](#) manufacturer:*

Other Similar products are found below :

[601203-000](#) [CTA-0053](#) [8429-9](#) [8445-7.5](#) [8450](#) [120-116-1-1-09BE](#) [120-116-1-1-09BF](#) [120-116-1-1-09BP](#) [120-116-1-1-12BE](#) [120-116-1-1-12BP](#) [120-123-06](#) [120-123-10](#) [120-125-12BL](#) [120-125-12R](#) [120-125-20R](#) [120-126-09](#) [120-126-09BL](#) [120-126-12](#) [120-126-12BL](#) [120-126-52](#) [120-126-52BL](#) [120-104-12](#) [120-105-1-1-06BE](#) [120-105-1-1-06CE](#) [120-108-10B](#) [120-116-1-1-06BP](#) [120-116-1-1-10BP](#) [120-116-1-1-12BF](#) [120-123-12](#) [120-125-09](#) [120-125-12](#) [120-125-12Y](#) [120-125-52BL](#) [120-S002-12](#) [HC1B-7008-0375-0](#) [120-S001-09](#) [120-S002-09](#) [121-101-1-1-56BFC](#) [121-101-1-1-64BFC](#) [RAY-90-3.0\(100\)](#) [20675-2](#) [8S42-100FR-CS8184](#) [SAS-115-1-1048-1X](#) [SAS-160-1-1048-1X](#) [RAY-103-10.0\(100\)](#) [RAY-103-4.0\(100\)](#) [4627-S](#) [3-1991136-0](#) [561-SL1000PP](#) [561-SL250FRPP](#)