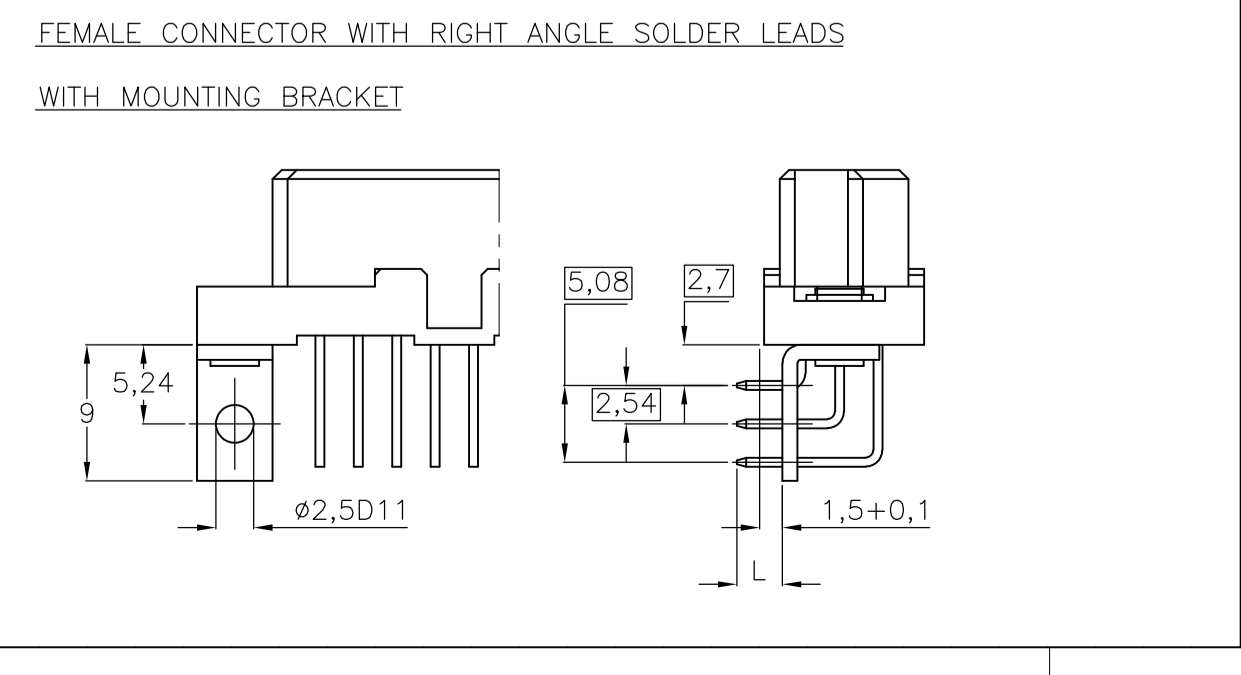
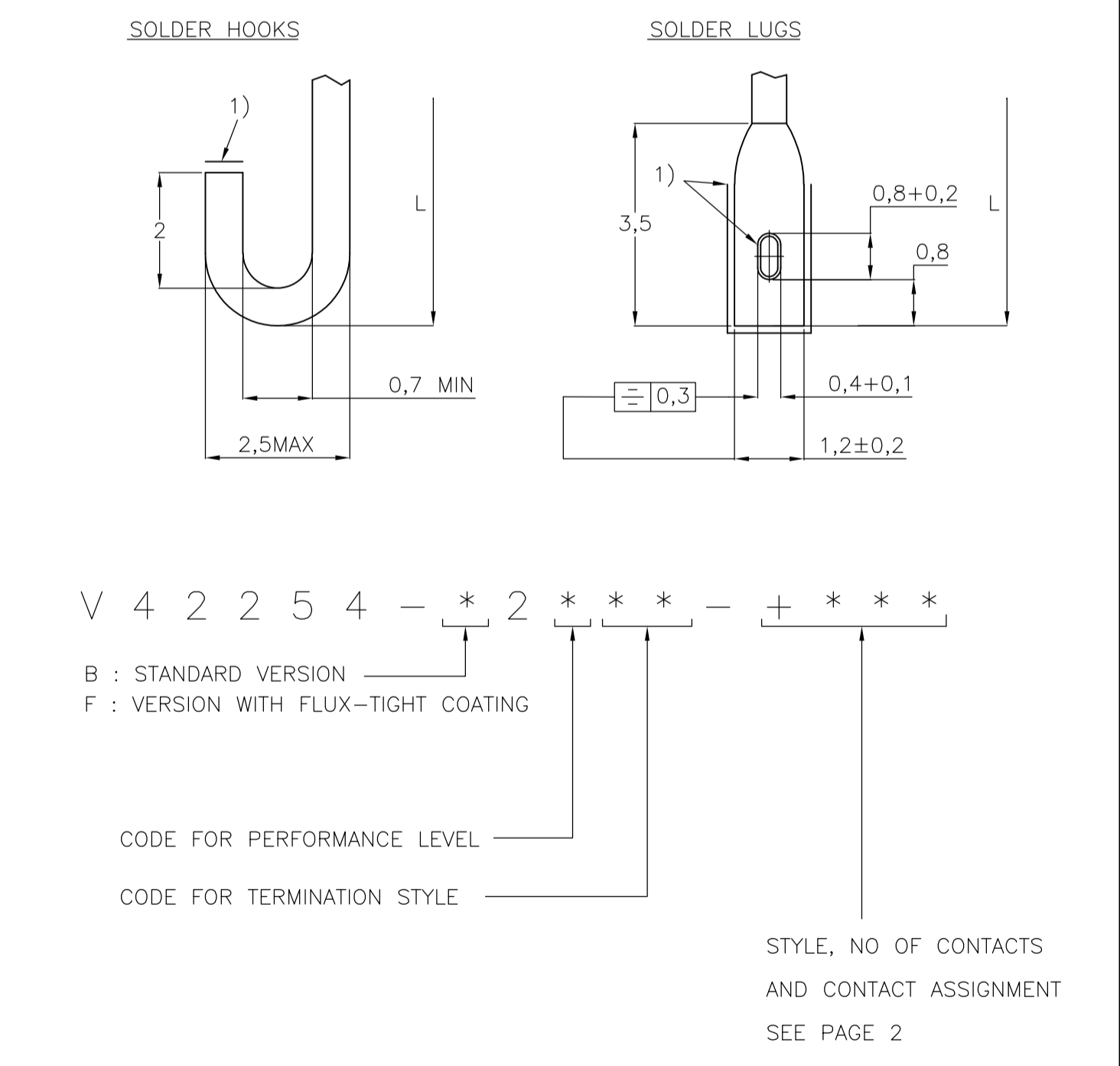
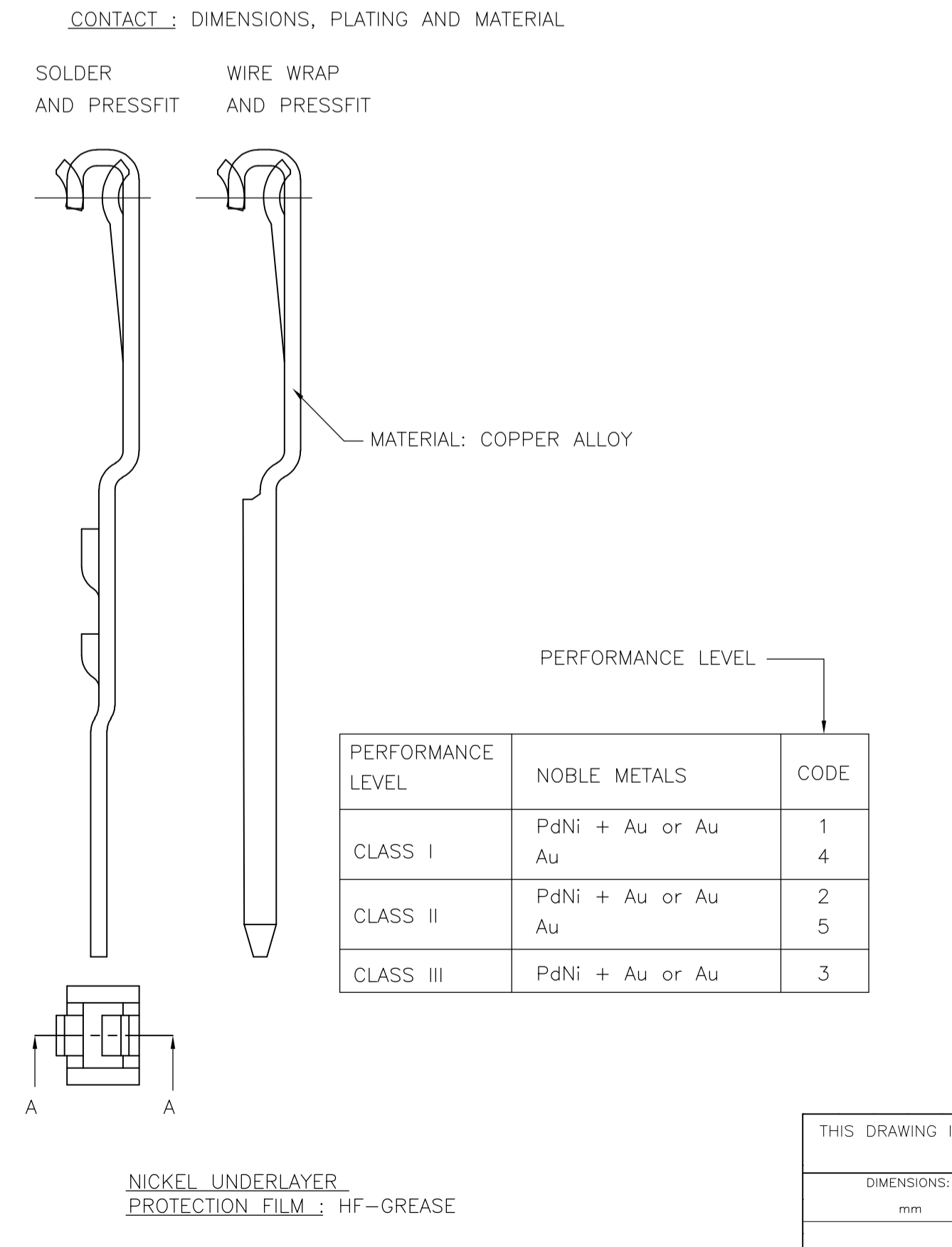
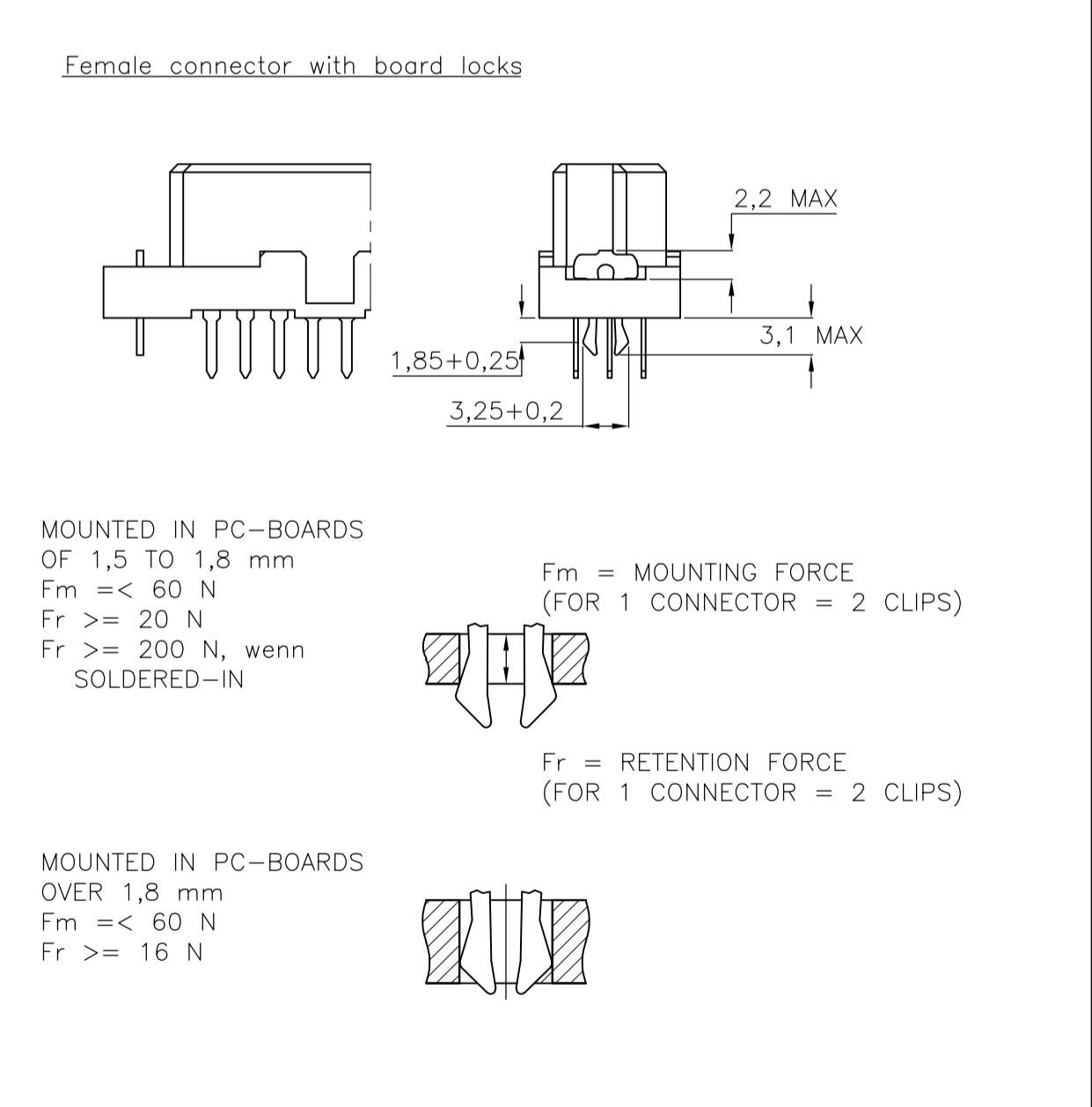


REVISONS		DATE	DN	APVD
AD	00	14JAN2013	BC	RP



TERMINATION STYLES	TERMINATION	L	CODE
SOLDER	SOLDER	2,9±0,3	01
		3,7±0,3	05
		4,5±0,3	02
SOLDER	SOLDER	6±0,3	03
		7,3±0,3	04
WIRE WRAP	WIRE WRAP	13±0,5	40
SOLDER	SOLDER	5,5±0,3	30
		10±0,5	
SOLDER	SOLDER	5,5±0,3	35
		10-0,5	
SOLDER	SOLDER	1,55-0,4	00
		3-0,4	
SOLDER	SOLDER	13±0,5	60
		17±0,5	
		4±0,5	
		13±0,5	
		17±0,5	
		6±0,5	
		6±0,5	
WITH MOUNTING BRACKET	WITH MOUNTING BRACKET	3-0,4	10
SOLDER	SOLDER	13±0,5	60
		17±0,5	
		4±0,5	
		13±0,5	
		17±0,5	
		6±0,5	



THIS DRAWING IS A CONTROLLED DOCUMENT.

DIMENSIONS:	TOLERANCES UNLESS OTHERWISE SPECIFIED:	APVD	NAME
mm	0 PLC ± - 1 PLC ± - 2 PLC ± - 3 PLC ± - 4 PLC ± - ANGLES ± -	14FEB99	CUIVELIER
MATERIAL	FINISH	APVD	NAME

SIZE	CAGE CODE	DRAWING NO	RESTRICTED TO
A1	00779	1393640-1	

CUSTOMER DRAWING

SCALE NTS SHEET 1 OF 2 REV B11

LOC AD 00 DIST 00 REVISIONS: F LTR DESCRIPTION DATE DWN APVO

Main table with columns: PRODUCT DESCRIPTION CODE, TE PN, STYLE & NUMBER OF POSITIONS, TERMINATION POSTS, LOADED ROWS, PERFORMANCE LEVEL, BOARD LOCKS. Contains multiple rows of connector specifications.

3) ACCORDING TO BT 236 LEVEL 2.
2) CONNECTORS HAVE A FLUX-TIGHT COATING.
1) NO COMPANY NAME MARKED ON THE CONNECTOR.

ACTIVE PART NUMBERS.
CONTACT TE FOR OTHER CONFIGURATION AVAILABILITY

Technical drawing header including dimensions, tolerances, material, weight, and customer drawing information. Includes ST logo and TE Connectivity text.

X-ON Electronics

Largest Supplier of Electrical and Electronic Components

Click to view similar products for [DIN 41612 Connectors](#) category:

Click to view products by [TE Connectivity](#) manufacturer:

Other Similar products are found below :

[09231126901](#) [PCN10F-24P-2.54DS\(72\)](#) [004.767](#) [02221602702](#) [024069](#) [602427301412000](#) [013275](#) [691327-1](#) [74670-0732](#) [74680-0340](#)
[75880-0015](#) [76453-0014](#) [86093159ALF](#) [923454](#) [QLC260R](#) [120X10099X](#) [120X10019X](#) [120X10089X](#) [120X10129X](#) [121A10039X](#)
[121A10309X](#) [122A10019X](#) [122A10029X](#) [122A10249X](#) [122A10669X](#) [122A11089X](#) [122A13089X](#) [121B10409X](#) [122A10089X](#)
[122A10129X](#) [122A10349X](#) [122A13359X](#) [1377391-4](#) [DIN-048CPC-SR1-MH](#) [1393583-2](#) [1393726-7](#) [140X10059X](#) [140X10129X](#) [143-1913-](#)
[000](#) [143-1908-000](#) [1484472-1](#) [173052](#) [2110070-1](#) [2110070-2](#) [CBC20T00-008FDS5-0-1-002VR](#) [983-0SE12-12P6](#) [17041102202](#) [172699-](#)
[5036](#) [173051](#) [20 8457096 010 025](#)