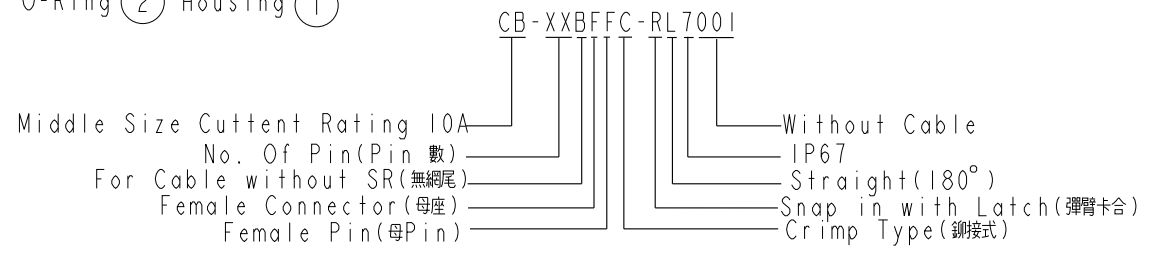
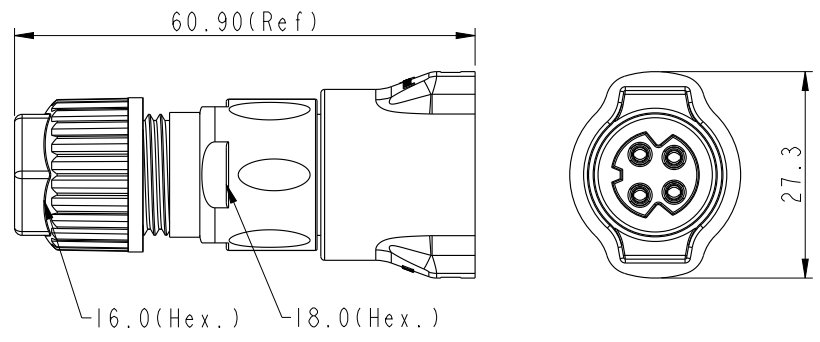
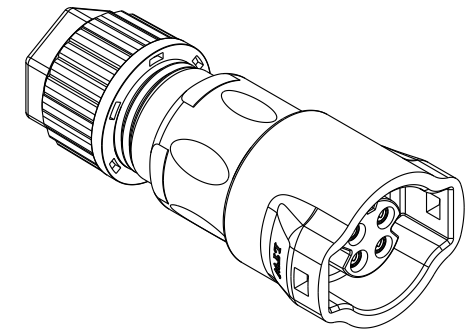
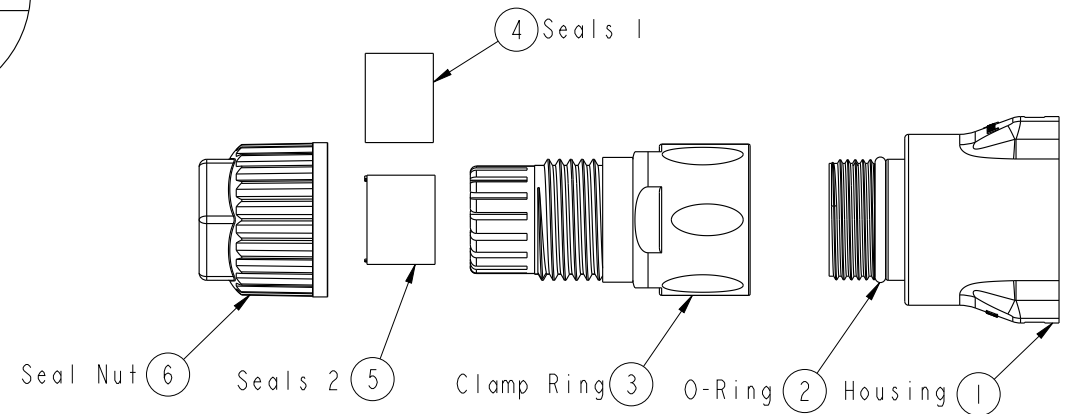


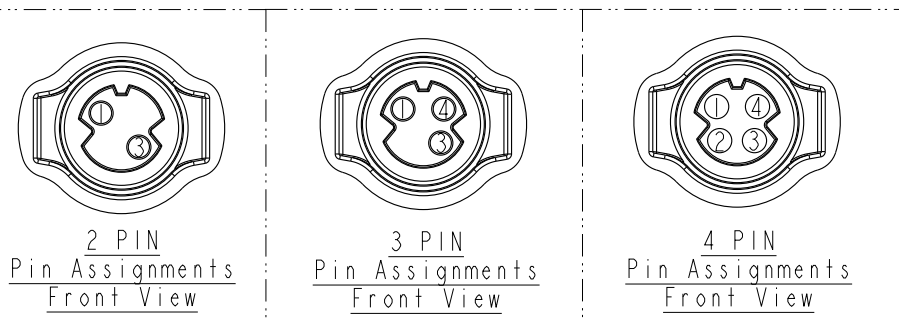
THIS DOCUMENT IS SUBJECT TO CHANGE WITHOUT NOTICE. IT IS CONFIDENTIAL AND A PROPERTY OF Amphenol LTW. DISCLOSURE TO THIRD PARTY HAS TO BE AUTHORIZED BY Amphenol LTW.

REV.	ECN NO.	DATE	SIGN	DESCRIPTION
A	Initial Release	2015/07/13	Mafei	Change Rev.01 To Rev.A

ALTW
CONFIDENTIAL
2015-07-13
R&D DEPT.



- Note:**
- * \varnothing Important Dimension To Check.
 - * Waterproof Rate: IP67 (Mating)
 - * Housing: M-PPE, Black, UL94 V-0, UL746C f1
 - * Conductor Current Rating: Max.10A Depends On Wire
 - * O-Ring: Silicone, Gray, UL94 V-0
 - * Seals: Silicone, Gray, UL94 V-0
 - * Clamp Ring: Nylon, Black, UL94 V-0, UL746C f1
 - * Sealing Nut: Nylon, Black, UL94 V-0, UL746C f1
 - * Seal 1 For Cable OD: \varnothing 4.5mm~ \varnothing 7.5mm
 - * Seal 2 For Cable OD: \varnothing 7.5mm~ \varnothing 9.5mm
 - * Prohibiting the use of place in oils.
 - * Clamp Ring Recommended Tightening Torque: 4~7 Kgf.cm(0.4~0.7 N.m)
 - * Sealing Nut Recommended Tightening Torque: 5~10 Kgf.cm(0.5~1 N.m)



UNIT:mm		TITLE	ASSY RBL 10A F CONN F PIN	
TOLERANCE	± 0.5	SCALE	1:1	SHEET 1 OF 2
REV.	A	SIZE	A4	WC-REV.
				A.2
				\varnothing Inspection item

Amphenol LTW
安費諾亮泰企業股份有限公司

ITEM NO	DRAWN BY	DATE
	Mafei	2015-07-13
DWG NO	CHECKED BY	DATE
CB-XXBFFC-RL7001	Alex_Lin	2015-07-13
CUSTOMER	APPROVED BY	DATE
ALTW	Jerry	2015-07-13

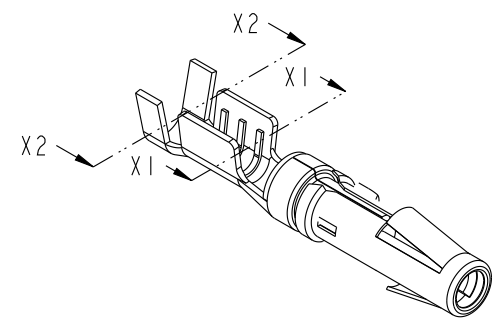
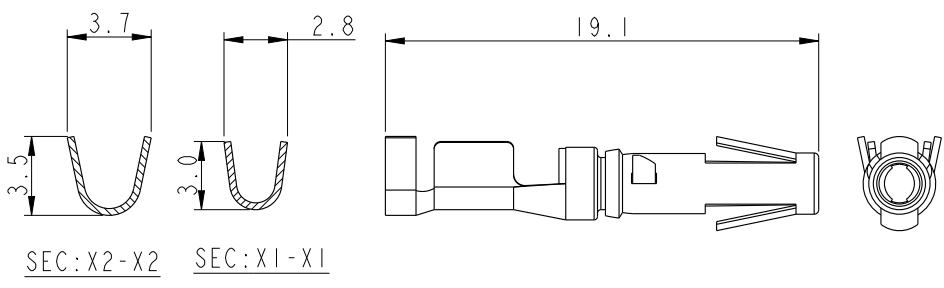
THIS DOCUMENT IS SUBJECT TO CHANGE WITHOUT NOTICE. IT IS CONFIDENTIAL AND A PROPERTY OF AMPHENOL LTW. DISCLOSURE TO THIRD PARTY HAS TO BE AUTHORIZED BY AMPHENOL LTW.

REV.	ECN NO.	DATE	SIGN	DESCRIPTION

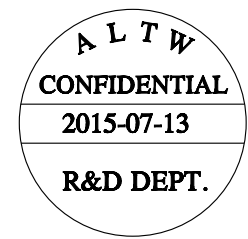
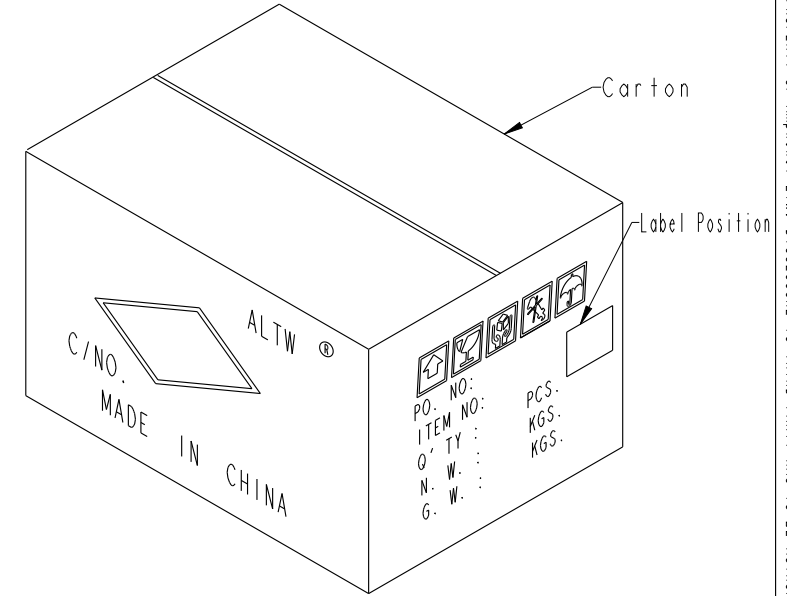
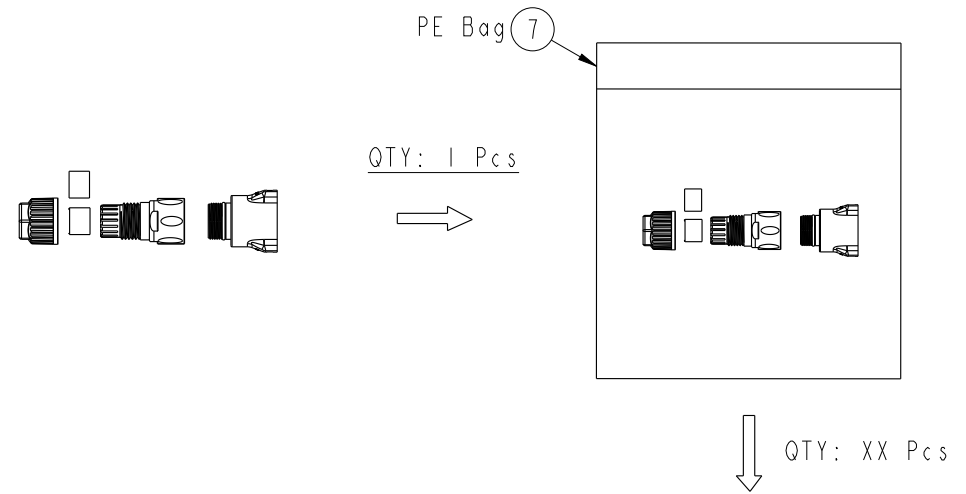
Optional Part: Terminal
P/N: SAF16B-XXG03

- 01: 2000Pcs/Reel
- 02: 500 Pcs Loose
- 03: 100 Pcs Loose

Contact Material: Copper Alloy, Gold Plated
Current Rating: 10A.
Wire Range: 16#~18#



Note:
* One Set Unassembled In One PE Bag.
(每一組未組裝, 放置於一個PE袋, 並封口)



UNIT: mm			TITLE ASSY RBL 10A F CONN F PIN
TOLERANCE .X ±0.25 .XX ±0.1 .XXX ±0.05 ANGLES ±1°	SCALE 1:1	SIZE A4	SHEET 2 OF 2
REV. A	WC-REV. A.2	QC: Inspection item	

Amphenol LTW
安費諾亮泰企業股份有限公司

ITEM NO.	DRAWN BY Mafei	DATE 2015/07/13
DWG NO. CB-XXBFFC-RL7001	CHECKED BY Alex_Lin	DATE 2015/07/13
CUSTOMER ALTW	APPROVED BY Jerry	DATE 2015/07/13

X-ON Electronics

Largest Supplier of Electrical and Electronic Components

Click to view similar products for [Standard Circular Connector](#) category:

Click to view products by [Amphenol](#) manufacturer:

Other Similar products are found below :

[C015 10F006 001 1](#) [5M2530B10P](#) [600247N007](#) [600259N006](#) [600273N007](#) [600432N009](#) [6280-2PG-519](#) [6280-3PG-311](#) [6280-3SG-311](#)
[6280-7SG-3DC](#) [6280-7SG-522](#) [6282-5PG-311](#) [6282-6PG-519](#) [6282-8SG-311](#) [6283-11](#) [6283-15](#) [6290](#) [6293](#) [6382-2PG-311](#) [6382-2PG-3DC](#)
[6382-2SG-321](#) [6382-2SG-3DC](#) [6382-4SG-516](#) [67-03E20-37P](#) [681-PMG](#) [CXS3102A14S2P](#) [CXS3102A181S](#) [CXS3106A14S6S](#)
[D38999/20FC8SA L/C](#) [MB12P-1](#) [MB12R-6](#) [7251-2PG-300](#) [7251-2SG-300](#) [7251-4PG-300](#) [7251-4SG-300](#) [7251-5PG-300](#) [7251-5SG-300](#)
[7251-6SG-300](#) [7251-7PG-300](#) [7251-8PG-300](#) [7271-6SG-300](#) [7282-3PG-300-CH3](#) [73000005663](#) [75-190011-03P](#) [75-190216-08S](#) [75-190218-](#)
[10P](#) [75-214636-52P](#) [75-474118-10P](#) [75-474211-03P](#) [75-474218-19S](#)