

PART NAME	ECONOGLAS DOOR	PART No.	V-9760-L & V-9763-L to 67-L	REV. DATE	2-10-10
-----------	----------------	----------	-----------------------------	-----------	---------

MATERIAL:

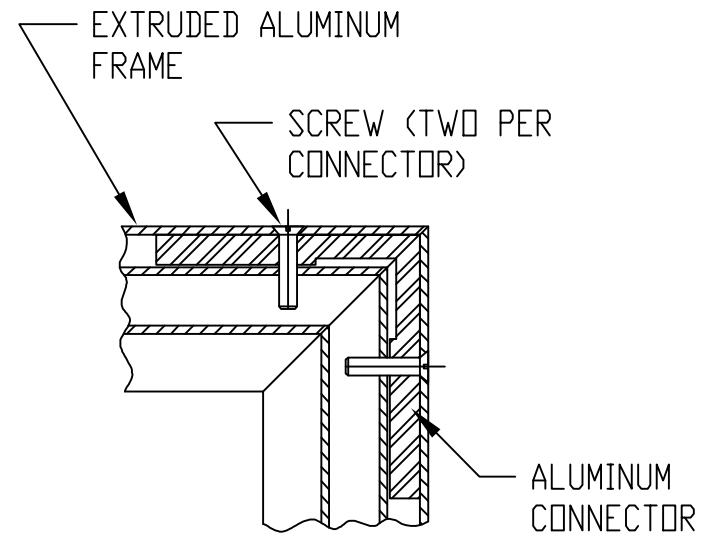
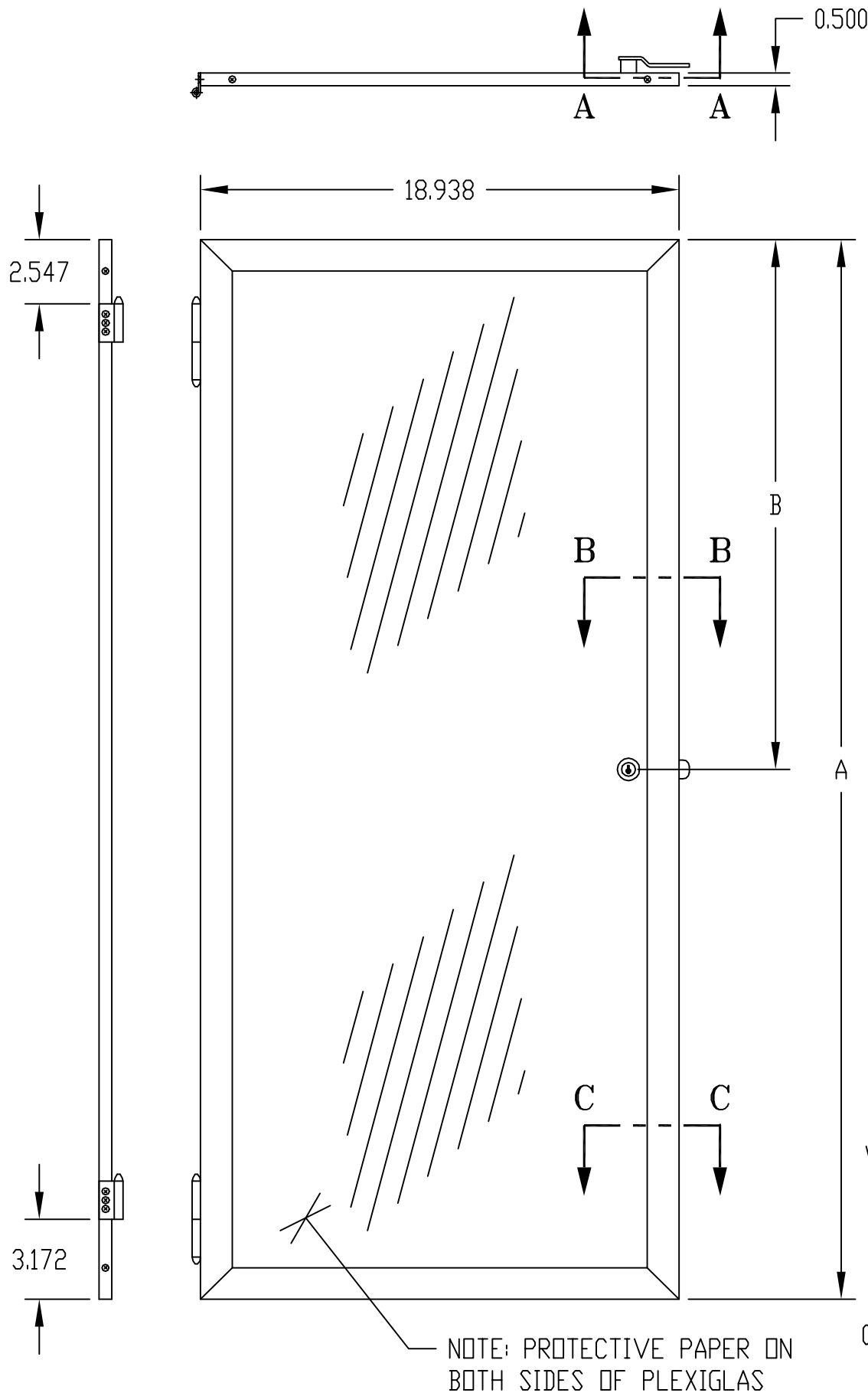
DOOR FRAME _____ ALUMINUM EXTRUSION
 DOOR PANEL _____ 0.187 THICK PLEXIGLAS
 WASHER _____ 20 GA. STAINLESS STEEL
 DOOR STOPS _____ 16 GA. STEEL
 HINGES _____ 14 GA. STEEL
 STRIKER _____ 11 GA. STAINLESS STEEL

FINISH:

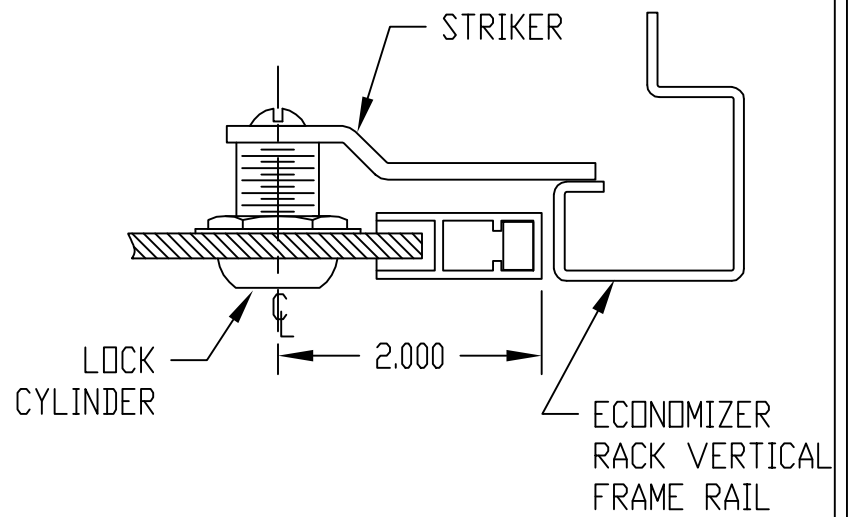
DOOR FRAME _____ CLEAR ANODIZED
 DOOR PANEL _____ SMOKE GRAY
 STRIKER, WASHER _____ NATURAL
 DOOR STOPS _____ SMOOTH BLACK
 HINGES _____ METALLIC GRAY

DOOR:

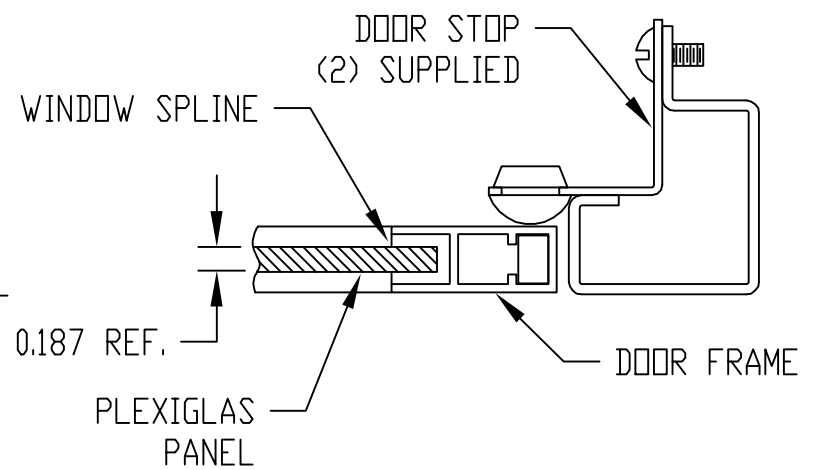
- CLEARS PANEL SPACE WHEN OPENED 90° OR MORE
- IS HELD CLOSED WITH LOCK
- FITS ECONOMIZER UPRIGHT CABINET RACKS AND CLASSIC II CABINET RACKS



SECTION "A-A"



SECTION "B-B"



SECTION "C-C"

PART NO. LOCKING	HEIGHT A	B	RACK VERTICAL PANEL SPACE
V-9760-L	20.938	10.469	21.000
V-9763-L	41.938	20.969	42.000
V-9764-L	52.438	26.219	52.500
V-9765-L	61.188	30.594	61.250
V-9766-L	69.938	34.969	70.000
V-9767-L	78.688	39.344	78.750

X-ON Electronics

Largest Supplier of Electrical and Electronic Components

Click to view similar products for [Racks & Rack Cabinet Accessories](#) category:

Click to view products by [Bud Industries](#) manufacturer:

Other Similar products are found below :

[M00-PLN](#) [F2420](#) [F2424](#) [8310-1032-SS](#) [9104](#) [PLFF2000](#) [PLFF6000](#) [GP216](#) [PTFA60000LG](#) [H-9163-B](#) [HEH050BA](#) [1427C3](#) [BAS-5104](#) [N-700-2](#) [190-002](#) [HTL10](#) [HTS10](#) [PC-118](#) [PC-780L](#) [PC-79](#) [PC-800](#) [SC4-28](#) [F3024](#) [AKWAMT](#) [PLFF1000](#) [CG3-340S/12](#) [2CWDP36](#) [2CWDP48](#) [2SSHINGE](#) [CP-001BK](#) [CPL19431LG1](#) [R570-004-107](#) [M6123-4007-SS](#) [TS170](#) [531300535](#) [BRX-12290](#) [C4BD3077SBK1](#) [UPS](#) [7-17-14 PLAIN](#) [LP40](#) [5261304-07](#) [CCA26-44-01](#) [706-102](#) [CG3-160G](#) [7112C-PLN ALUM](#) [CM10](#) [TS81](#) [7142](#) [GP134](#) [M6127-4007-SS](#) [PBCOVER](#)