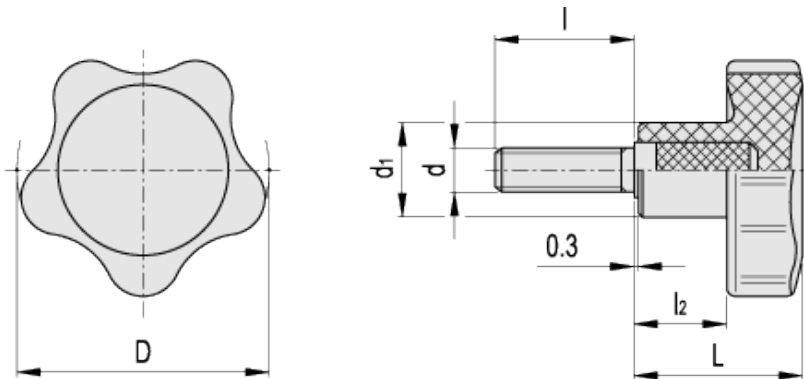


VC.692-SST-p

Lobe knobs



ELESA Original design



technical informations

Material

Glass-fibre reinforced polyamide based (PA) technopolymer. Resistant to solvents, oils, greases and other chemical agents.

Colour

Black, matte finish.

Standard execution

AISI 303 stainless steel threaded stud, chamfered flat end according to UNI 947 : ISO 4753 (see [Technical Data](#)).

Features and applications

The exclusive five-lobe shape (ELESA original design) offers the operator's fingers a proper grip and prevents unhealthy residues from depositing thanks to its solid shape without cavities.

This knob is particularly suitable for applications on machines and equipment whose parts, for hygienic reasons, must be frequently cleaned also using water or steam jets.

Elesa Standards

Main dimensions

Threaded stud

Weight

Code	Description	D	L	d ₁	l ₂	d _{6g}	l	g
166157	VC.692/25 SST-p-M4x6	25	20	12	10	M4	6	6
166158	VC.692/25 SST-p-M4x10	25	20	12	10	M4	10	7
166161	VC.692/25-SST-p-M5x10	25	20	12	10	M5	10	8
166162	VC.692/25-SST-p-M5x16	25	20	12	10	M5	16	9
166171	VC.692/25 SST-p-M6x10	25	20	12	10	M6	10	10
166172	VC.692/25 SST-p-M6x16	25	20	12	10	M6	16	11
166173	VC.692/25 SST-p-M6x20	25	20	12	10	M6	20	12
166174	VC.692/25 SST-p-M6x30	25	20	12	10	M6	30	14
166261	VC.692/32 SST-p-M6x10	32	22.5	14	12.5	M6	10	17
166262	VC.692/32-SST-p-M6x16	32	22.5	14	12.5	M6	16	15
166263	VC.692/32-SST-p-M6x20	32	22.5	14	12.5	M6	20	16
166264	VC.692/32-SST-p-M6x30	32	22.5	14	12.5	M6	30	19
166376	VC.692/40 SST-p-M6x40	40	26	15	14	M6	40	31
166381	VC.692/40-SST-p-M8x20	40	26	15	14	M8	20	28
166383	VC.692/40-SST-p-M8x30	40	26	15	14	M8	30	32
166385	VC.692/40-SST-p-M8x40	40	26	15	14	M8	40	36
166491	VC.692/50-SST-p-M10x20	50	31	18	17	M10	20	47
166493	VC.692/50-SST-p-M10x30	50	31	18	17	M10	30	57
166495	VC.692/50-SST-p-M10x40	50	31	18	17	M10	40	67
166591	VC.692/60-SST-p-M12x30	60	36.5	21	21	M12	30	70
166593	VC.692/60-SST-p-M12x40	60	36.5	21	21	M12	40	81
166595	VC.692/60-SST-p-M12x50	60	36.5	21	21	M12	50	92



ELESA and GANTER models all rights reserved in accordance with the law. Always mention the source when reproducing our drawings.

STANDARD MACHINE ELEMENTS WORLDWIDE

X-ON Electronics

Largest Supplier of Electrical and Electronic Components

Click to view similar products for [Knobs & Dials](#) category:

Click to view products by [Elesa & Ganter](#) manufacturer:

Other Similar products are found below :

[61-9028.20](#) [61-9028.9](#) [8529](#) [8573](#) [9-1437622-4](#) [11K5015-EMNB](#) [11K5019-ECNB](#) [11K5020-KLAB](#) [11K5028-JMNG](#) [11K5048-KMNB](#)
[11K5014-EMNB](#) [11K5015-EMNG](#) [11K5019-EMNB](#) [11K5029-KMNG](#) [P400S-08-D6-N](#) [K6510](#) [KNSL500B1/8](#) [AL811BA18](#) [420031B18](#)
[5006](#) [KB700BA1/4](#) [KS700B14](#) [411](#) [4-1437621-3](#) [420065A14AL](#) [5149A](#) [52-928.20](#) [52-928.60](#) [52-928.9](#) [8517](#) [8546](#) [8570](#) [8572](#) [H-516-3A](#)
[P861H-0X-S6](#) [8544](#) [11K5014-JMNG](#) [11K5014-KMNG](#) [11K5014-ECNG](#) [5700E](#) [KA500B18](#) [KFS600B14](#) [KN900AB14](#) [KFS500B14](#)
[KNS501B18](#) [PKD60B1018](#) [PK1100B18](#) [PKES140B14](#) [PKES150B14](#) [PKJT70B14](#)