

MICRO SWITCH
a Honeywell Division

FED. MFG. CODE 91928

SWITCH - ENCLOSED

CATALOG LISTING
39EN6-6

CATALOG LISTING
39EN6-6

PAGE 1 OF 1

ISSUE
2

REVISIONS
A RELEASE PR24309
JJA 24 SEP 99

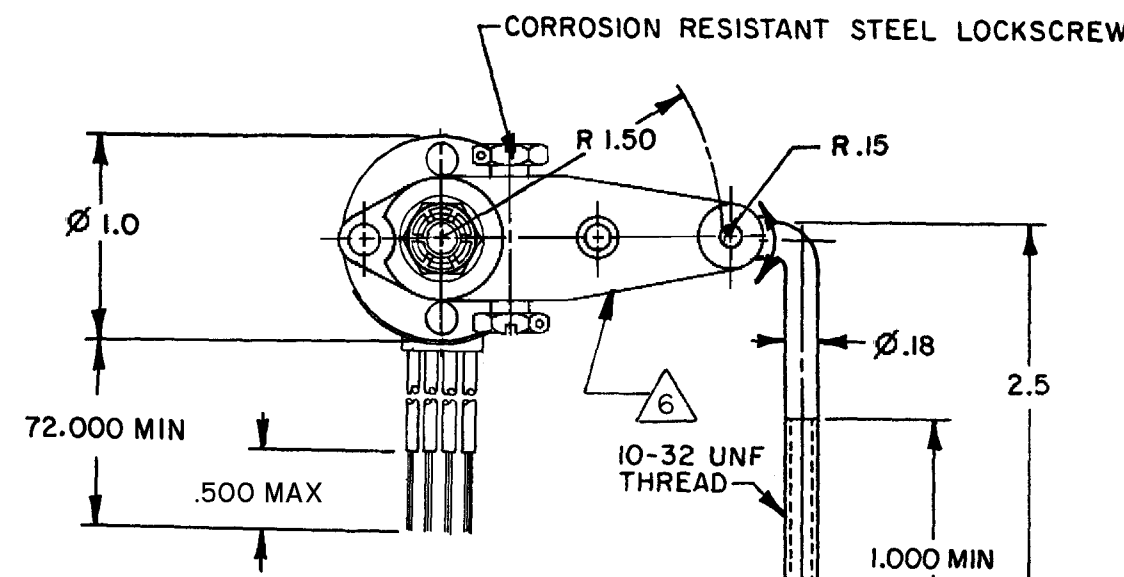
CHECK
JJA 26 AUG 99

CHECK
JJA F

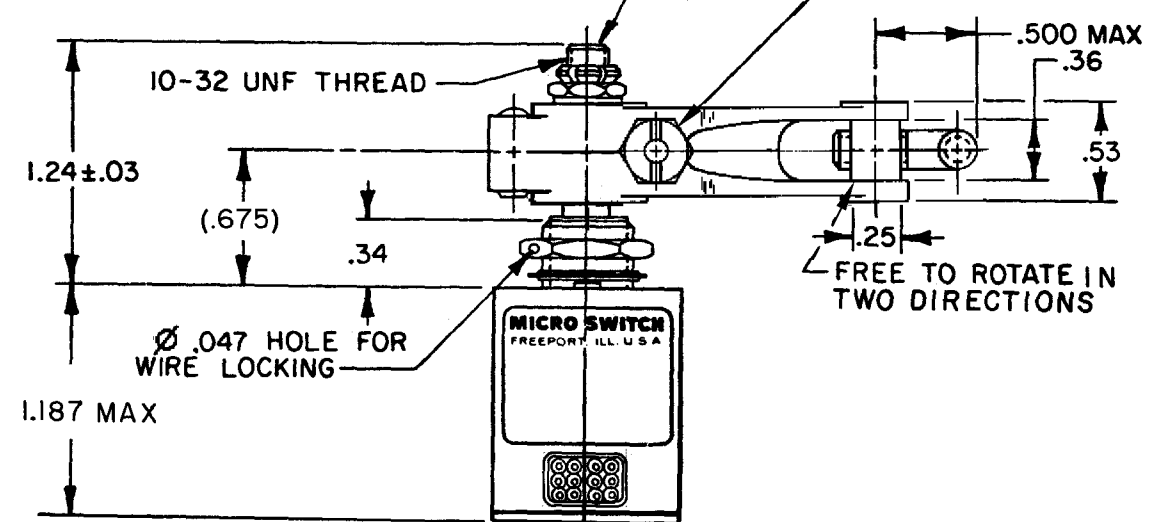
CHECK
JJA 26 AUG 99

FORMTEK
DRAWN

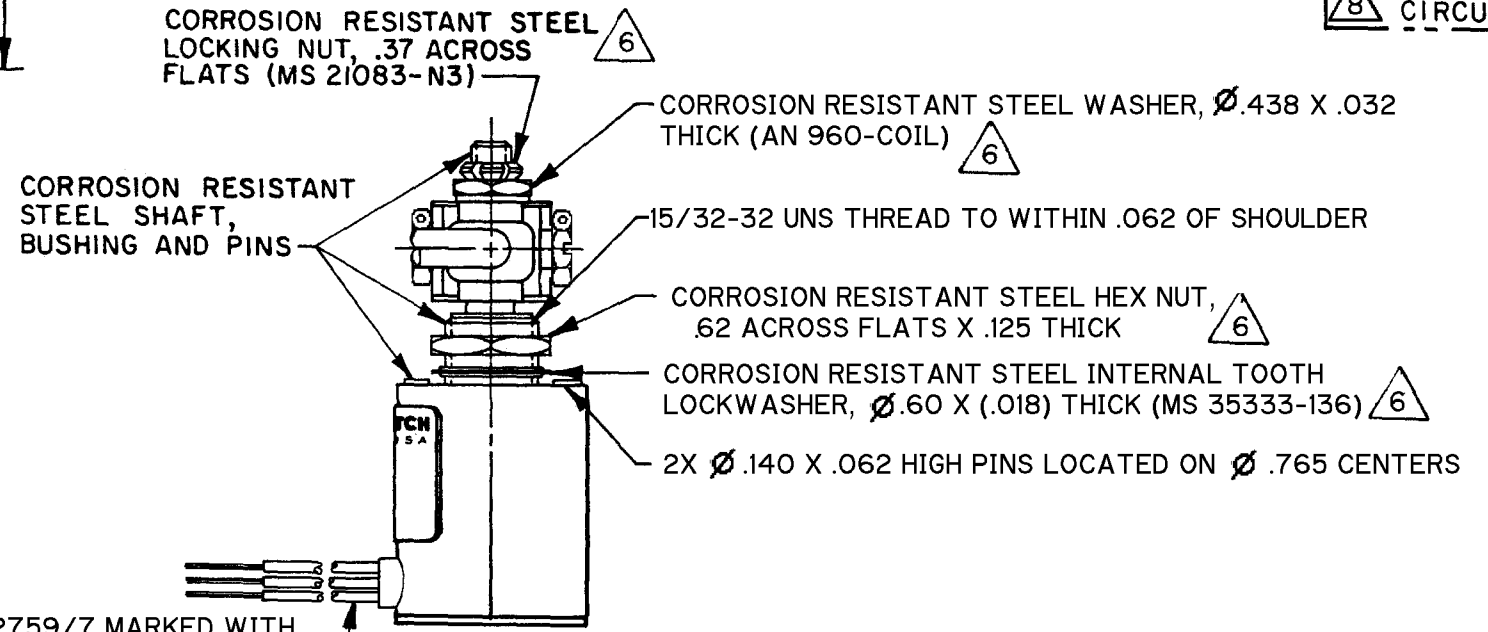
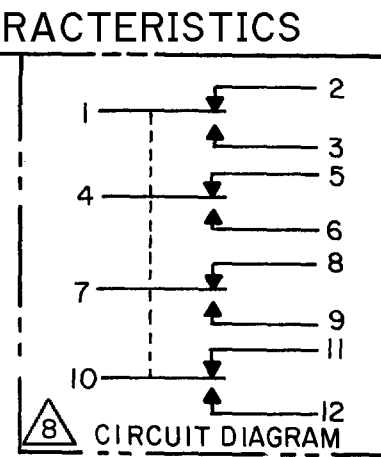
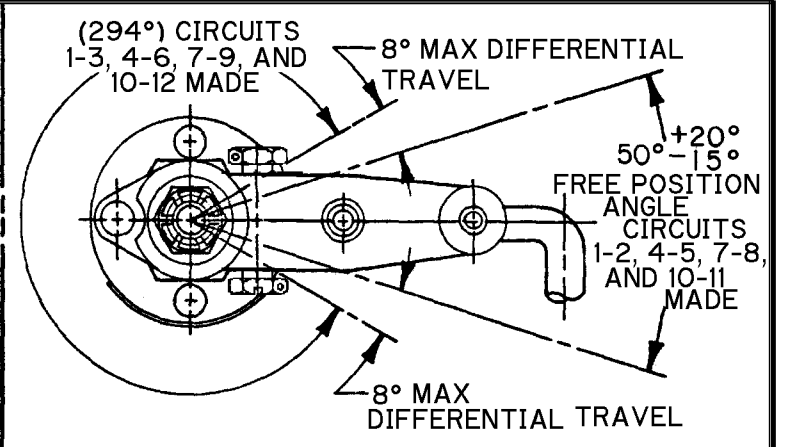
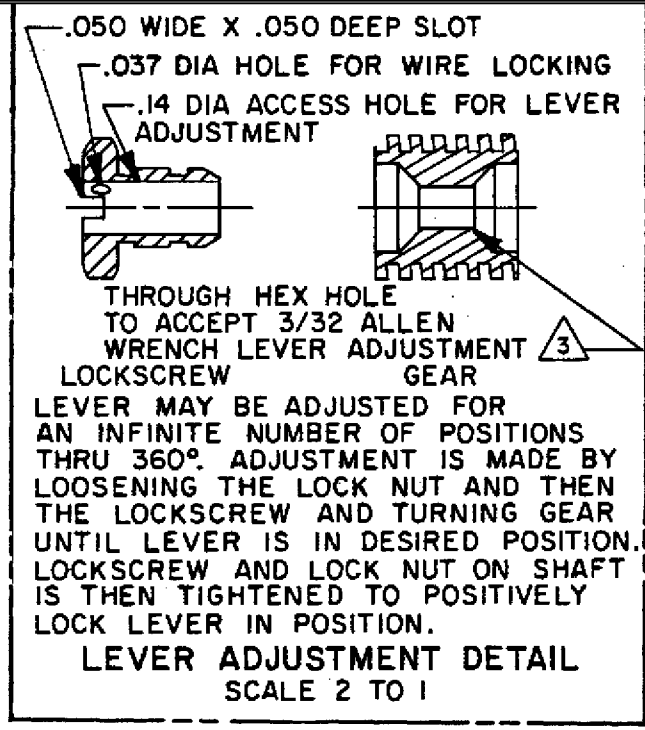
REPLACES
PR-24309



2X 1/4-32 UNEF-2A CORROSION RESISTANT STEEL LOCKING SCREW (.312) ACROSS FLATS



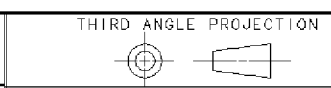
12X NO.20 WIRE LEAD PER MIL-W-22759/7 MARKED WITH CIRCUIT IDENTIFICATION AND WIRE GAGE (1/20,2-20,ETC.) PER MIL-W-5088



- NOTES
- 1 - CORROSION RESISTANT STEEL ENCLOSURE
 - 2 - SWITCH SEALED PER MIL-PRF-8805, SYMBOL 4
 - 3 - CIRCUIT DIAGRAM AND CATALOG LISTING ARE SHOWN ON NAMEPLATE
 - 4 - UNIT PROVIDES NO SHAFT RESTORING TORQUE, THE ACTUATING DEVICE MUST CONTROL MOVEMENT OF THE SHAFT
 - 5 - DO NOT APPLY MORE THAN 20-25 INCH-POUNDS OF TORQUE WHEN TIGHTENING LOCKING NUT
 - 6 - HARDWARE MAY BE PACKAGED UNASSEMBLED PER MIL-PRF-8805
 - 7 - SILVER PROJECTION, GOLD PLATED CONTACTS
 - 8 - CIRCUITS ILLUSTRATED IN FREE POSITION ANGLE

ANSI Y114.5M-1982 APPLIES

THIS DRAWING COVERS A PROPRIETARY ITEM AND IS THE PROPERTY OF MICRO SWITCH, A DIVISION OF HONEYWELL. THIS DRAWING IS NOT TO BE COPIED OR USED WITHOUT THE APPROVAL OF MICRO SWITCH



CHARACTERISTICS		ELECTRICAL DATA		SCALE FULL	
OPERATING FORCE ----- 3 IN LB MAX		CONTACT ARRANGEMENT 4X S P D T		DO NOT SCALE PRINT	
PRETRAVEL		LOAD		UNLESS OTHERWISE SPECIFIED TOLERANCES ARE	
DIFFERENTIAL TRAVEL		RES		ONE PLACE (.0) ±.030	
OVERTRAVEL		IND		TWO PLACE (.00) ±.015	
FREE POSITION		MOTOR		THREE PLACE (.000) ±.005	
SEE DETAIL		28 VDC		ANGLES ±	
		SEA LEVEL		WEIGHT 12.0 OZ MAX	
		50,000 FT			
		7			
		4			
		4			

X-ON Electronics

Largest Supplier of Electrical and Electronic Components

Click to view similar products for [Basic / Snap Action Switches](#) category:

Click to view products by [Honeywell](#) manufacturer:

Other Similar products are found below :

[83228001](#) [01.098.1358.1](#) [602EN1-6B](#) [602EN532](#) [602EN535-RB](#) [602HE5-RB1](#) [604HE162](#) [604HE223-6B](#) [624HE17-RB](#) [6HM89](#) [6PA78-JM](#)
[6SE1](#) [6SX1-H58](#) [70500840](#) [MBD5B1](#) [MBH2731](#) [73-316-0012](#) [79211759](#) [79211923](#) [79218589](#) [7AS12](#) [ML-1155](#) [ML-1376](#) [831010C3.0](#)
[831060C3.TL](#) [831090C2.EL](#) [83131904](#) [84212012](#) [8AS239](#) [8HM73-3](#) [903VB1-PG](#) [914CE1-6G](#) [PL-100](#) [11SM1077-H4](#) [11SM1077-H58](#)
[11SM1-TN107](#) [11SM405](#) [11SM703-T](#) [11SM8423-H2](#) [11SX37-T](#) [11SX48-H58](#) [11SX55-H58](#) [11SM2442-T](#) [11SM76-T](#) [11SM77-H58](#)
[11SM77-T](#) [11SM863-T](#) [11SM866](#) [11SX47-H58](#) [A7CN-1M-1-LEFT](#)