


**■ Features :**

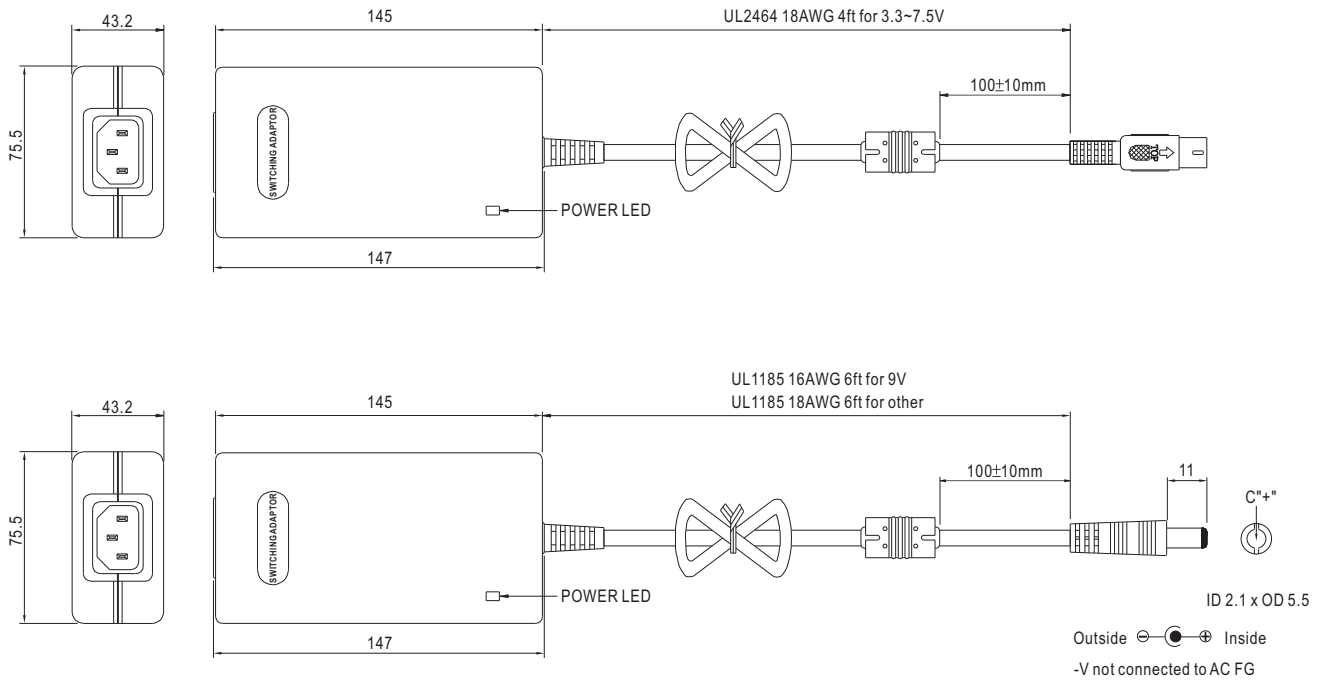
- Universal AC input / Full range
- 3 pole AC inlet IEC320-C14
- Low leakage current <230 $\mu$ A
- Class I power ( with earth pin)
- Full output 3~48V safety approval
- Protections: Short circuit / Overload / Over voltage / Over temp.
- Fully enclosed plastic case
- Medical safety approved (MOPP level)
- Fix switching frequency and regulation
- Topology: Top switch circuit
- LED indicator for power on
- Approvals: UL / CUL / TUV / CB / CE
- 2 years warranty


**SPECIFICATION**

| ORDER NO.                                    |  | MES50A-0R1B  | MES50A-1R1B | MES50A-1-1R1B | MES50A-2P1J | MES50A-3P1J | MES50A-4P1J                   | MES50A-5P1J | MES50A-6P1J | MES50A-7P1J | MES50A-8P1J |  |
|--|--|--|-------------|---------------|-------------|-------------|-------------------------------|-------------|-------------|-------------|-------------|--|
| OUTPUT                                       | SAFETY MODEL NO.   | MES50A-0   | MES50A-1    | MES50A-1-1    | MES50A-2    | MES50A-3    | MES50A-4                      | MES50A-5    | MES50A-6    | MES50A-7    | MES50A-8    |  |
|  | DC VOLTAGE <small>Note.2</small>   | 3.3V   | 5V          | 7.5V          | 9V          | 12V         | 15V                           | 18V         | 24V         | 28V         | 48V         |  |
|  | RATED CURRENT  | 7.5A   | 7.5A        | 5.33A         | 5.0A        | 4.16A       | 3.33A                         | 2.77A       | 2.08A       | 1.78A       | 1.04A       |  |
|  | CURRENT RANGE  | 0 ~ 7.5A   | 0 ~ 7.5A    | 0 ~ 5.33A     | 0 ~ 5.0A    | 0 ~ 4.16A   | 0 ~ 3.33A                     | 0 ~ 2.77A   | 0 ~ 2.08A   | 0 ~ 1.78A   | 0 ~ 1.04A   |  |
|  | RATED POWER  | 24.75W   | 37.5W       | 40W           | 45W         | 50W         | 50W                           | 50W         | 50W         | 50W         | 50W         |  |
|  | RIPPLE & NOISE (max.) <small>Note.3</small>  | 50mVp-p  | 50mVp-p     | 75mVp-p       | 90mVp-p     | 100mVp-p    | 100mVp-p                      | 150mVp-p    | 150mVp-p    | 150mVp-p    | 200mVp-p    |  |
|  | VOLTAGE ADJ. RANGE   | Fixed  |             |               |             |             |                               |             |             |             |             |  |
|  | VOLTAGE TOLERANCE <small>Note.4</small>  | ±10%   | ±6.0%       | ±5.0%         | ±5.0%       | ±3.0%       | ±3.0%                         | ±3.0%       | ±2.0%       | ±2.0%       | ±2.0%       |  |
|  | LINE REGULATION <small>Note.5</small>  | ±1.0%  | ±1.0%       | ±1.0%         | ±1.0%       | ±1.0%       | ±1.0%                         | ±1.0%       | ±1.0%       | ±1.0%       | ±1.0%       |  |
|  | LOAD REGULATION <small>Note.6</small>  | ±10%   | ±6.0%       | ±5.0%         | ±5.0%       | ±3.0%       | ±3.0%                         | ±3.0%       | ±2.0%       | ±2.0%       | ±2.0%       |  |
| SETUP, RISE, HOLD UP TIME                    | 300ms, 50ms, 16ms at full load   |  |             |               |             |             |                               |             |             |             |             |  |
| INPUT  | VOLTAGE RANGE  | 90 ~ 264VAC 135~370VDC   |             |               |             |             |                               |             |             |             |             |  |
|  | FREQUENCY RANGE  | 47~63Hz  |             |               |             |             |                               |             |             |             |             |  |
|  | EFFICIENCY (Typ.)  | 60%  | 67%         | 70%           | 72%         | 74%         | 75%                           | 78%         | 78%         | 80%         | 80%         |  |
|  | AC CURRENT   | 1.5A / 100VAC  |             |               |             |             |                               |             |             |             |             |  |
|  | INRUSH CURRENT (max.)  | 90A / 230VAC   |             |               |             |             |                               |             |             |             |             |  |
| LEAKAGE CURRENT (max.) <small>Note.7</small> | Earth leakage current < 230 $\mu$ A/264VAC , Touch current < 60 $\mu$ A/264VAC   |  |             |               |             |             |                               |             |             |             |             |  |
| PROTECTION                                   | OVERLOAD   | 112 ~ 250% rated output power  |             |               |             |             | 150 ~ 350% rated output power |             |             |             |             |  |
|  |  | Protection type : Hiccup mode, recovers automatically after fault condition is removed |             |               |             |             |                               |             |             |             |             |  |
|  | OVER VOLTAGE   | 110 ~ 150% rated output voltage  |             |               |             |             |                               |             |             |             |             |  |
|  | Protection type : Hiccup mode, recovers automatically after fault condition is removed   |  |             |               |             |             |                               |             |             |             |             |  |
| OVER TEMPERATURE                             | Tj 135 $^{\circ}$ C typically (IC1) detect on main control IC  |  |             |               |             |             |                               |             |             |             |             |  |
|  | Protection type : Shut down o/p voltage, recovers automatically after temperature goes down  |  |             |               |             |             |                               |             |             |             |             |  |
| ENVIRONMENT                                  | WORKING TEMP.  | 0 ~ +65 $^{\circ}$ C (Refer to "Derating Curve")                                       |             |               |             |             |                               |             |             |             |             |  |
|  | WORKING HUMIDITY   | 20% ~ 90% RH non-condensing  |             |               |             |             |                               |             |             |             |             |  |
|  | STORAGE TEMP., HUMIDITY  | -20 ~ +85 $^{\circ}$ C, 10 ~ 95% RH  |             |               |             |             |                               |             |             |             |             |  |
|  | TEMP. COEFFICIENT  | ±0.03% / $^{\circ}$ C ( 0 ~ 50 $^{\circ}$ C)   |             |               |             |             |                               |             |             |             |             |  |
|  | VIBRATION  | 10 ~ 500Hz, 2G 10min./1cycle, period for 60min. each along X, Y, Z axes                |             |               |             |             |                               |             |             |             |             |  |
| SAFETY & EMC <small>(Note. 8)</small>        | SAFETY STANDARDS   | ANSI/AAMI ES60601-1, TUV EN60601-1, IEC60601-1 approved                                |             |               |             |             |                               |             |             |             |             |  |
|  | WITHSTAND VOLTAGE  | I/P-O/P: 5656VDC , I/P-FG: 2828VDC   |             |               |             |             |                               |             |             |             |             |  |
|  | ISOLATION RESISTANCE   | I/P-O/P, I/P-FG:100M Ohms / 500VDC / 25 $^{\circ}$ C / 70% RH                          |             |               |             |             |                               |             |             |             |             |  |
|  | EMC EMISSION   | Compliance to EN55011(CISPR11) class B, EN61000-3-2,3                                  |             |               |             |             |                               |             |             |             |             |  |
| EMC IMMUNITY                                 | Compliance to EN60601-1-2 (EN61000-4-2,3,4,5,6,8,11), light industry level, criteria A   |  |             |               |             |             |                               |             |             |             |             |  |
| OTHERS                                       | MTBF   | -----  |             |               |             |             |                               |             |             |             |             |  |
|  | DIMENSION  | 147*75.5*43.2mm (L*W*H)  |             |               |             |             |                               |             |             |             |             |  |
|  | PACKING  | 0.55Kg ; 36pcs / 21Kg / CARTON   |             |               |             |             |                               |             |             |             |             |  |
| CONNECTOR                                    | PLUG   | See page 2, Other type available by customer requested                                 |             |               |             |             |                               |             |             |             |             |  |
|  | CABLE  | See page 2, Other type available by customer requested                                 |             |               |             |             |                               |             |             |             |             |  |
| NOTE   | 1.All parameters are specified at 230VAC input, rated load, 25 $^{\circ}$ C 70% RH ambient.<br>2.DC voltage: The output voltage set at point measure by plug terminal & 50% load.<br>3.Ripple & noise are measured at 20MHz by using a 12" twisted pair terminated with a 0.1uf & 47uf capacitor.<br>4.Tolerance: includes set up tolerance, line regulation, load regulation.<br>5.Line regulation is measured from low line to high line at rated load.<br>6.Load regulation is measured from 0% to 100% rated load.<br>7.Touch current was measured from primary input to DC output.<br>8.The power supply is considered a component which will be installed into a final equipment. The final equipment must be re-confirmed that it still meets EMC directives. |  |             |               |             |             |                               |             |             |             |             |  |

## Mechanical Specification

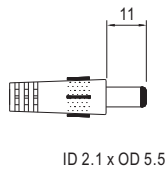
Unit:mm



## Plug Assignment

Standard plug: Others P1J (option)

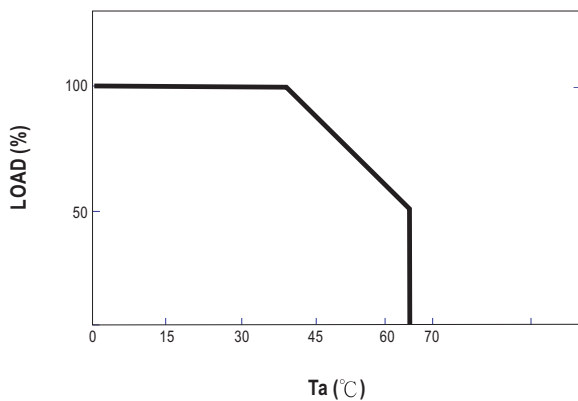
| P1J    |        |
|--------|--------|
| P/N    | OUTPUT |
| CENTER | +      |



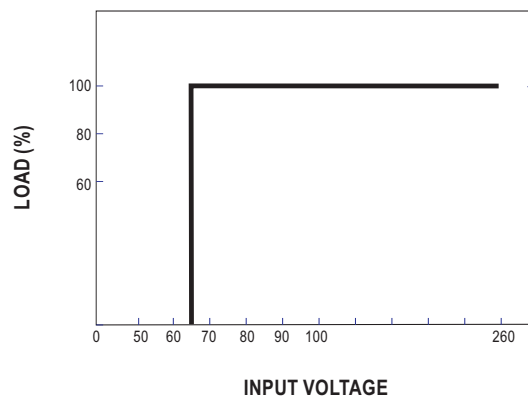
Standard plug: 3.3V,5V,7.5V R1B (option)

| PIN NO | OUTPUT |
|--------|--------|
| 1      | COM    |
| 2      | COM    |
| 3      | +Vout  |
| 4      | COM    |
| 5      | +Vout  |

## Derating Curve



## Static Characteristics



## X-ON Electronics

Largest Supplier of Electrical and Electronic Components

*Click to view similar products for [Switching Power Supplies](#) category:*

*Click to view products by [Mean Well](#) manufacturer:*

Other Similar products are found below :

[70841011](#) [73-551-0005](#) [AAD600S-4-OP](#) [R22095](#) [KD0204](#) [9021](#) [S-15F-12](#) [LDIN100150](#) [LPM000-BBAR-01](#) [LPX17S-C](#) [EVS57-10R6/R](#)  
[FDC40-24S12](#) [FP80](#) [FRV7000G](#) [22929](#) [CQM1IA121](#) [40370121900](#) [VI-PU22-EXX](#) [40370121910](#) [LDIN5075](#) [432703037161](#) [WRB01X-U](#)  
[LPX140-C](#) [08-30466-1040G](#) [09-160CFG](#) [70841004](#) [70841025](#) [VPX3000-CBL-DC](#) [LPM000-BBAR-05](#) [LPM000-BBAR-08](#) [LPM124-](#)  
[OUTA1-48](#) [LPM000-BBAR-07](#) [LPM109-OUTA1-10](#) [LPM616-CHAS](#) [08-30466-1055G](#) [08-30466-2175G](#) [DMB-EWG](#) [TVQF-1219-18S](#)  
[6504-226-2101](#) [CQM1IPS01](#) [XPFM201A+](#) [MAP80-4000G](#) [LFP300F-24-TY](#) [SMP21-L20-DC24V-5A](#) [VI-MUL-ES](#) [08-30466-0065G](#)  
[CME240P-24](#) [VI-RU031-EWWX](#) [08-30466-0028G](#) [S82Y-TS01](#)