

PRODUCT NUMBER 77313-YXX-XXLF  
 PLATING SEE SHEET 2  
 SEE NOTE 7  
 ROHS COMPATIBLE

PRODUCT NUMBER 77313-YXX-00LF  
 PLATING SEE SHEET 2  
 PIN STYLE SEE SHEET 2  
 TOTAL NB OF POSITIONS 04 TO 72  
 OPTION LETTERS : NOTE 8

PRODUCT NUMBER (BERGSTRIIP PACKAGING)

INDICATES THE PRODUCT IS ROHS COMPATIBLE, SEE NOTE 6

POSITIONS PER REEL : 00=45,000 (BERGSTRIIP)

PIN STYLE	MATING	SOLDER	OAL
01	5.84	2.41	10.8
02	5.84	3.42	11.8
18	5.84	3.05	11.43
22	7.75	3.05	13.35
24	6.75	2.9	12.2
27	6.6	2.66	11.8

NOTES:

1. HOUSING MAT'L : HIGH TEMPERATURE THERMOPLASTIC. UL94V-0 COLOR: BLACK

2. PIN MATERIAL : PHOSPHOR BRONZE

3. BERGSTRIIP PRODUCT PACKAGED IN POLY BAGS. BERGSTRIIP PRODUCT PACKAGED PER REELS.

4. 9N MIN RETENTION IN EITHER DIRECTION

5. TO DETERMINE DIMENSIONS :

N = NUMBER OF POSITIONS PER ROW  
 EXAMPLE : 8 POS N x 2.54 = 20.32mm

6. FOR PIN IN PASTE SOLDERING APPLICATION : FINISHED PLATED HOLE Ø1.02-Ø1.06

7. ROHS COMPATIBLE PRODUCT SPECIFICATIONS

8. PLATING:

- "LF" MEANS THE PRODUCT IS LEAD-FREE, 2µm MINIMUM MATTE TIN OVER 1.27µm MINIMUM NICKEL UNDERPLATE

b - MANUFACTURING PROCESS COMPATIBILITY

- THE HOUSING WILL WITHSTAND EXPOSURE TO 260°C ±5°C SOLDER BATH TEMPERATURE FOR 5 SECONDS IN A WAVE SOLDER APPLICATION WITH A 1.6mm MIN THICK CIRCUIT BOARD

c - LABELING:

- MEETS PACKAGING SPECS AS PER GS-14-920

d - LEGAL STATEMENT: SEE GS-47-0004

8. OPTIONS : - = POLYBAG PACK

"A" = TAPE & REEL WITH CAP

"-R" = STANDARD TUBE PACKAGING

"V" = BLIBOX PACK FOR CUSTOMER DEDICATED PART

"AV" = TAPE & REEL WITH CAP FOR CUSTOMER DEDICATED PART

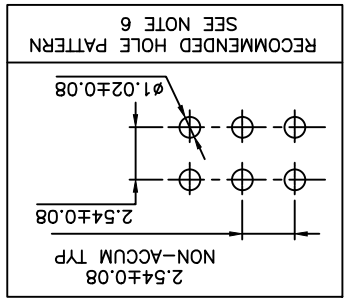
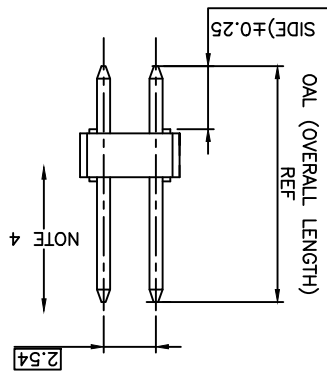
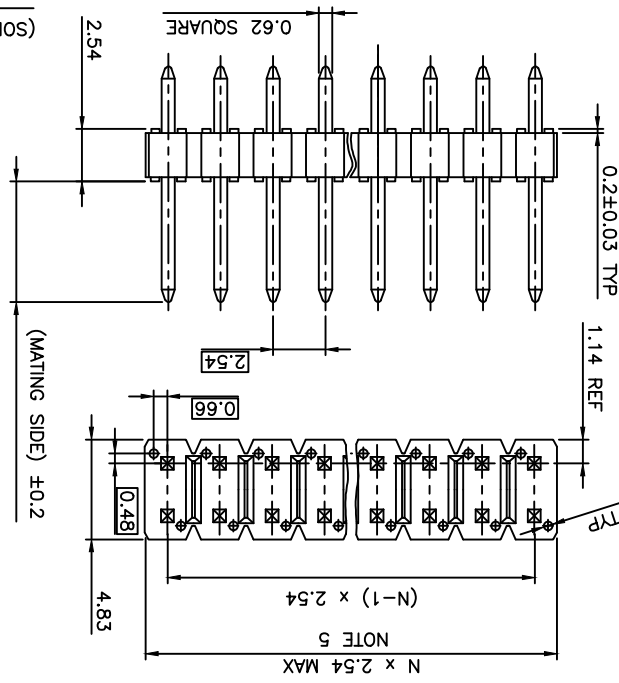
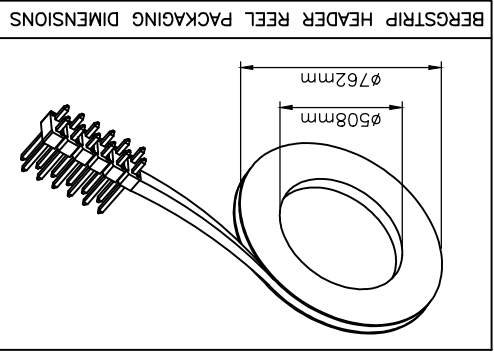
"KV" = TAPE & REEL WITHOUT CAP FOR CUSTOMER DEDICATED PART

"TV" = TUBE WITHOUT CAP FOR CUSTOMER DEDICATED PART

"R" = RETENTION FEATURE PAGE 2

IF RETENTION FEATURE "R" AND TUBE PACKAGING "T" ARE BOTH REQUIRED OPTIONAL LETTER "R" WILL APPEAR INSTEAD OF THE FIRST DASH

EXAMPLE : 77313R118T40LF

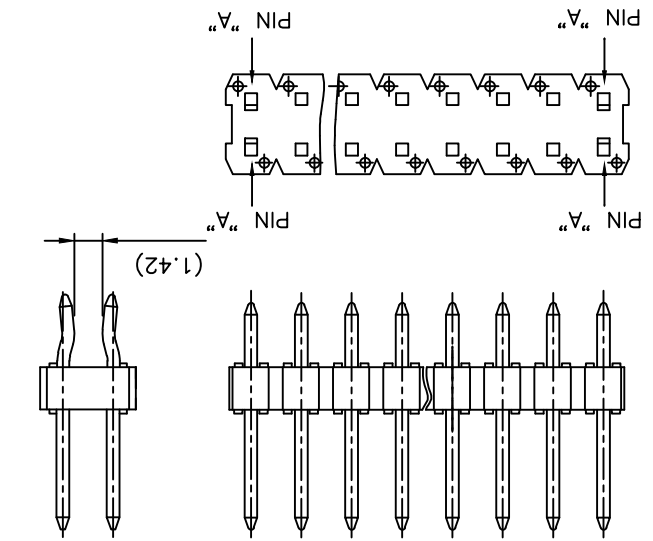


mat'l. code	surface	tolerance	projection	product family
ISO 1302	ISO 1302	ISO 406 ISO 1101	ISO 1101	BERGSTIK
SEE NOTES	tolerances unless otherwise specified			
litr ecn no	dr	date		
BY F-21455 AMA	15.07.20			
angles	linear	x ±0.3		
BY F-22605 BVE	15.11.24			
linear	x ±0.15			
xxx ±0.05				
D.LE	14.12.18	dr		
BT B-19782 AMA	15.03.30	pppd		
JCO	01.01.24			
BM B-20596 AMA	15.03.30	pppd		
BY B-20321 AMA	15.01.26	chr		
JM.C	01.01.24			
BU B-19886 BVE	15.01.05	engr		
JM.C	01.01.24			
BT B-19782 AMA	14.12.18	dr		
D.L.E	01.01.24			
index	sheet	revision	BY	BK
	1	2	A	
	2	3		

title	product family
UNSHR.HEADER	BERGSTIK
STR DR TMT	
scale 5:1	
mm	
projection	
dwg no	sheet 1 of 3 size
77313	A3
CUSTOMER	Drawing

1. PART NUMBER 77313-XXXXXX
2. 4 PINS "A" USED FOR RETENTION  
DIRECTION OF RETENTION SHOWN BY ARROWS
3. FOR RETENTION OPTION, SOLDER TAIL LENGTH TO BE 2.9 MIN UP TO 3.5 MAX.

NOTES:



RETENTION OPTION

- PLATING
- 1 = 0.7µm GOLD/GXT ON CONTACT AREA, 2µm TIN MIN ON TAIL
  - 4 = 2µm TIN MIN FULL PLATED
  - 5 = 0.25µm GOLD/GXT ON CONTACT AREA, 2µm TIN MIN ON TAIL
  - 8 = 0.38µm GOLD/GXT ON CONTACT AREA, 2µm TIN MIN ON TAIL
  - G = 0.76µm FULL GXT
  - S = 0.38µm FULL GXT
  - T = 2µm TIN MIN FULL PLATED INCLUDED PIN TYP
  - 1.27µm NICKEL MIN UNDERLAYER FOR ALL PLATING VERSIONS

PRODUCTS SPECIFICATIONS			
PIN STYLE	MATING	SOLDER	OAL
01	5.84	2.41	10.8
02	5.84	3.42	11.8
03	5.72	5.09	13.35
04	5.72	7.64	15.90
15	8.51	2.55	13.6
18	5.84	3.05	11.43
19	12.83	3.03	18.4
20	15.37	3.04	20.95
22	7.75	3.05	13.35
24	6.75	2.9	12.2
27	6.6	2.65	11.8
29	17.46	3.50	23.5
38	5.84	3.82	12.20
46	8.08	2.98	13.6
52	9.5	3.05	15.09
57	8.46	3.05	14.05
58	14.47	3.05	20.06
83	20.46	3.0	26.0
85	10.5	2.9	15.9
87	6.98	3.05	12.57

PRODUCTS SPECIFICATIONS			
PIN STYLE	MATING	SOLDER	OAL
89	6.93	5.00	14.47
90	6.75	4.05	13.34
91	5.60	10.21	18.4
92	5.65	12.76	20.95
93	6.00	4.81	13.35
94	9.65	2.90	15.09
95	8.90	3.60	15.09
96	20.83	3.05	26.42
97	14.70	3.70	20.95
98	6.00	6.00	14.47
99	8.05	2.25	12.8
AA	11.90	3.30	17.70
AB	7.00	1.50	11.00
AC	N/A		
AD	8.51	10.59	21.64
AE	3.30	3.30	9.14
AF	N/A		
AG	4.79	3.00	10.33
AH	2.67	3.43	8.64
AJ	8.00	8.00	18.54
AK	7.00	7.00	16.54
AL	5.90	1.60	10.05
AM	12.06	2.60	17.20
AN	11.50	1.90	15.94
AP	14.00	2.20	18.70
AR	8.96	2.10	13.60
AS	8.08	2.72	13.37

mat'l. code	ISO 1302	surface tolerance	ISO 406 ISO 101	projection	product family	BERGSTIK
litr ecn no	dr	date	tolerances unless otherwise specified	title	UNSHR. HEADER	
BE	B-18917	LMU	14.09.26	angles	STR DR TMT	
BF	B-19782	AMA	14.12.18	linear	scale N/A	
BG	B-20321	AMA	15.01.26		mm	
BH	B-20596	AMA	15.03.30		drawing no	
BJ	F-21455	AMA	15.07.20	engr	sheet 2 of - size	
BK	F-22605	BVE	15.11.24	chr	77313	
		JM.C	01.01.24		CUSTOMER	
		JF.N	01.01.24	appd	Drawing	
				sheet	index	

PRODUCTS SPECIFICATIONS			
PIN STYLE	MATING	SOLDER	OAL
AT	5.84	7.20	15.57
AU	10.95	3.05	16.55
AV	8.08	4.32	14.96
AW	8.08	3.81	14.43
AX	6.40	3.09	12.05
AY	5.08	2.79	10.40
BA	8.97	2.79	14.05
BB	6.48	3.05	12.05
BC	11.85	4.04	18.40

mat'l. code	ISO 1302	ISO 406 ISO 101	projection	product family	BERGSTIK
litr ecn no	dr	date	tolerances unless otherwise specified	title	
A	F-22605	BVE	15.1.24	UNSHR.HEADER	
angles	linear	mm	mm	UNSHR.HEADER	
dr	D.LE	01.01.24	scale N/A	STR DR TMT	
engr	JM.C	01.01.24	dwg no	77313	sheet 3 of - size
chr	JM.C	01.01.24	type	CUSTOMER	Drawing
appd	JF.N	01.01.24	revision		sheet
index			sheet		

6 5 4 3 2 1 A B C D

## X-ON Electronics

Largest Supplier of Electrical and Electronic Components

*Click to view similar products for [Headers & Wire Housings](#) category:*

*Click to view products by [FCT Electronics](#) manufacturer:*

Other Similar products are found below :

[95000-104TRLF](#) [10135584-644402LF](#) [DF62W-EP2022PCA](#) [95000-106TRLF](#) [DF62W-2022SCA](#) [DF62W-EP2022PC](#) [2203348](#) [DF62W-2022SC](#) [1084018](#) [1029039](#) [1084017](#) [802-10-012-10-002000](#) [1112640](#) [1112639](#) [891-007-9SS-BST1T](#) [000-34000](#) [0008550134](#) [0009482033](#) [0009507031](#) [57102-F02-18ULF](#) [57102-S06-03LF](#) [57202-S52-04LF](#) [PCN6-15S-2.5E](#) [0039019024](#) [58102-G61-06LF](#) [582553-1](#) [0009485154](#) [0009508121](#) [0022285053](#) [0050291907](#) [018731A](#) [LY20-4P-DT1-P1E-BR](#) [02.125.8002.8](#) [60101931](#) [60598-1 \(Cut Strip\)](#) [M1625-3R/100](#) [61062-3](#) [61082-181009](#) [CSU011177004](#) [636-1427](#) [638009-1](#) [641938-9](#) [641991-4](#) [644168-1](#) [644827-2](#) [647662-1](#) [65039-019ELF](#) [65692-001LF](#) [65781-018](#) [65781-047](#)