

0.36" Quadruple Digit Numeric Displays  
Technical Data Sheet

Model No:KW4-361XSA

## Features

- ◇ 0.36”(inch) digit height.
- ◇ Excellent segment uniformity.
- ◇ Sold state reliability
- ◇ Industrial standard size
- ◇ Low power consumption
- ◇ Pb free.

## Descriptions:

- ◇ The KW4-361XXX series is a larger 9.20mm(0.36”) high seven segment display designed for viewing distances up to 7 meters.
- ◇ These displays provide excellent reliability in bright ambient light.
- ◇ These devices are made with white segments and gray surface.

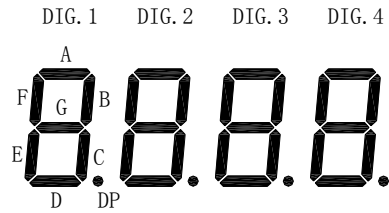
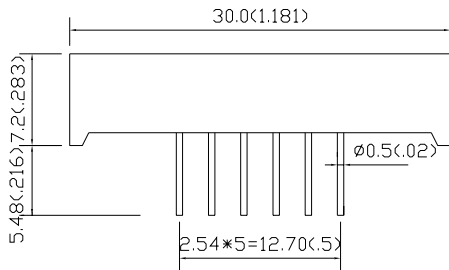
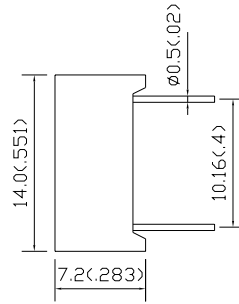
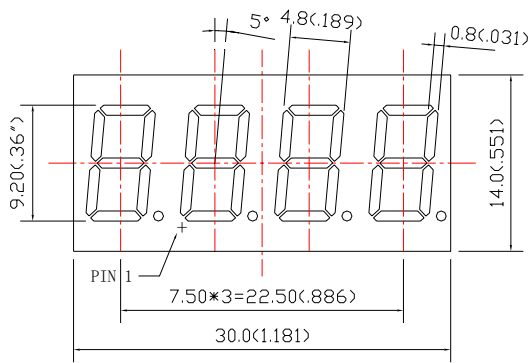
## Applications:

- ◇ Audio equipment
- ◇ Instrument panels
- ◇ Digital red out display

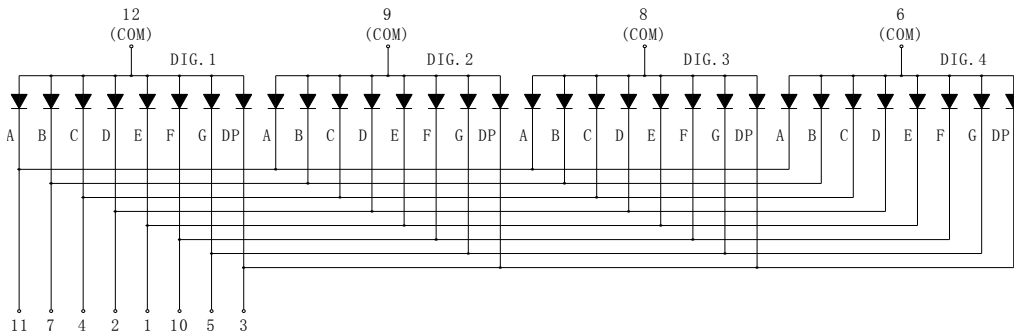
## Device Selection Guide:

Part NO.	Material	Source Color	Description
KW4-361ASA	GaAlAs	Super Bright Red	Common Anode
KW4-361CSA		Super Bright Red	Common Cathode

## Package Dimension:

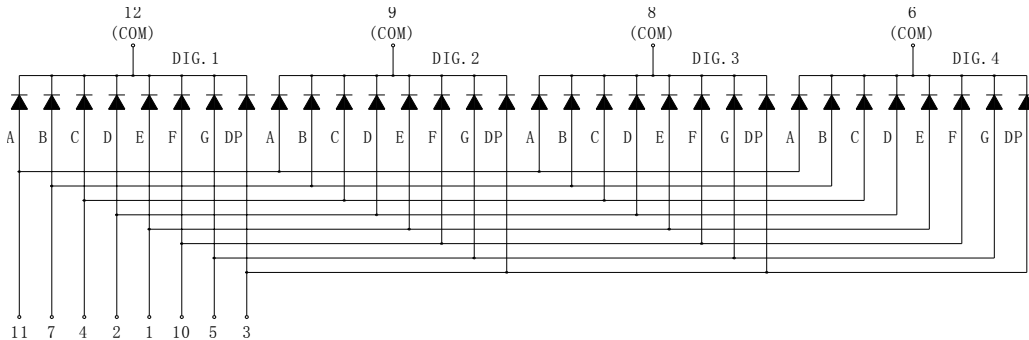


### KW4-361ASA



1. CATHODE E
2. CATHODE D
3. CATHODE DP
4. CATHODE C
5. CATHODE G
6. COMMON ANODE DIG. 4
7. CATHODE B
8. COMMON ANODE DIG. 3
9. COMMON ANODE DIG. 2
10. CATHODE F
11. CATHODE A
12. COMMON ANODE DIG. 1

### KW4-361CSA



1. ANODE E
2. ANODE D
3. ANODE DP
4. ANODE C
5. ANODE G
6. COMMON CATHODE DIG. 4
7. ANODE B
8. COMMON CATHODE DIG. 3
9. COMMON CATHODE DIG. 2
10. ANODE F
11. ANODE A
12. COMMON CATHODE DIG. 1

### Notes:

1. All dimensions are in millimeters (inches).
2. Tolerance is  $\pm 0.25(.010)$  mm unless otherwise noted.
3. Specifications are subject to change without notice.

## Absolute Maximum Ratings at Ta=25°C

Parameter / Per LED Chip	MAX.	Unit
Power Dissipation per segment	100	mW
Peak Forward Current per segment (1/10 Duty Cycle, 0.1ms Pulse Width)	100	mA
Continuous Forward Current per segment	25	mA
Derating Linear From 50°C	0.4	mA/°C
Reverse Voltage	5	V
Operating Temperature Range	-40°C to +80°C	
Storage Temperature Range	-40°C to +100°C	
Soldering Temperature	260°C for 5 Seconds	

## Electrical Optical Characteristics at Ta=25°C

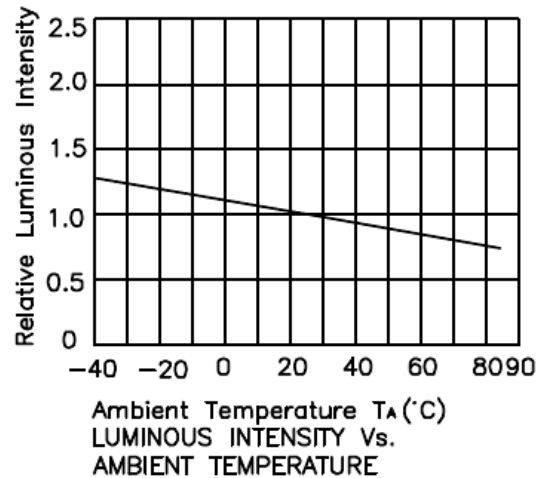
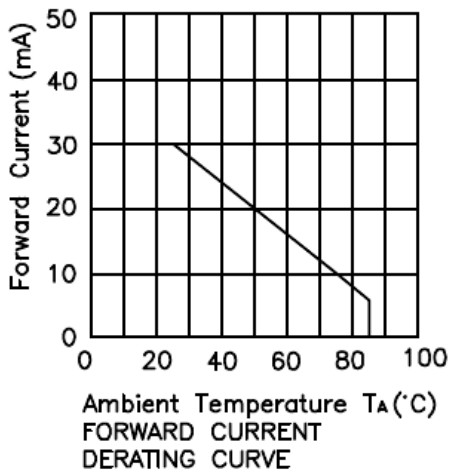
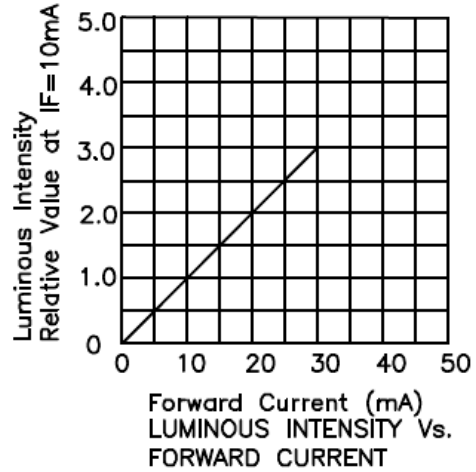
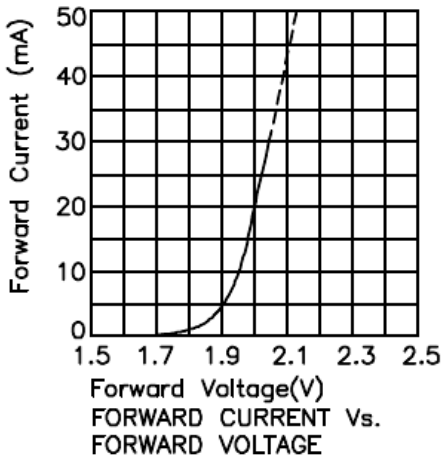
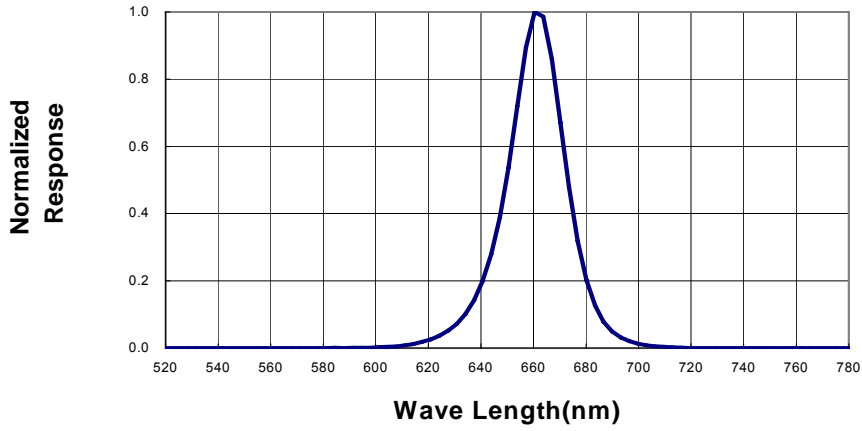
Parameter / Per LED Chip	Symbol	Min.	Typ.	Max.	Unit	Test Condition
Luminous Intensity per segment	Iv	2.0	4.0	---	mcd	IF=20mA (Note 1)
Peak Emission Wavelength	$\lambda_p$	655	660	665	nm	IF=20mA
Dominant Wavelength	$\lambda_d$	635	640	645	nm	IF=20mA (Note 3)
Spectral Line Half-Width	$\Delta\lambda$	19	24	29	nm	IF=20mA
Forward Voltage per segment	VF	1.60	1.85	2.40	V	IF=20mA
Reverse Current per segment	IR	---	---	10	$\mu$ A	VR=5V

### Note:

1. Luminous intensity is measured with a light sensor and filter combination that approximates the CIE eye-response curve.
2. The dominant wavelength ( $\lambda_d$ ) is derived from the CIE chromaticity diagram and represents the single wavelength which defines the color of the device.

**Typical Electrical / Optical Characteristics Curves**

(25°C Ambient Temperature Unless Otherwise Noted)

**Spectral Radiance (Peak @ 660nm)**


## X-ON Electronics

Largest Supplier of Electrical and Electronic Components

*Click to view similar products for [LED Displays & Accessories](#) category:*

*Click to view products by [Lucky Light](#) manufacturer:*

Other Similar products are found below :

[LTC-2721WC](#) [LTC-4624JD](#) [LTC-4627G](#) [LTC-4627WC](#) [LTD-5021AWC](#) [LTM-8522G](#) [LTP-4323P](#) [LTP-747G](#) [LTS-3361JG-06](#)  
[F416SYGWA/S530-E3](#) [EADST040RA2](#) [1668](#) [HT-F196NB-5323](#) [IPD2131-27](#) [SA03-12EWA](#) [LDD-E2802RD](#) [LDD-E306MI](#) [LDQ-N514RI](#)  
[LDS-A3506RD](#) [LDS-A3926RI](#) [LDT-M516RI](#) [SC03-12HDB](#) [SI-B9T151550WW](#) [SI-B9V171550WW](#) [SLC-3PF-WL](#) [1624](#) [LTC-2621JD](#)  
[LTC-2623WC](#) [LTC-4624P](#) [LTC-4627JD](#) [LTD-2601E](#) [LTD-322G](#) [LTD-482PC](#) [LTP-1457AKR](#) [LTP-3784G-01](#) [LTS-313AP](#) [LTS-4812SKR-](#)  
[P](#) [LTS-547AE](#) [LTS-6780P](#) [446010401-3](#) [HV-7W30-6829](#) [CA12240\\_MINNIE-WWW-MTG-ASSY](#) [DA43-11GWA](#) [LDD-A516RI-17](#) [LDD-](#)  
[E305RI](#) [LDQ-M513RI](#) [LDQ-M5204RI-SI](#) [LDQ-N3402RI](#) [LDQ-N3606RI](#) [LDT-M2804RI](#)