

## Category 2, EN 954-1

### PNOZ X7 24 V DC/AC, PNOZ X7 AC



Emergency Stop Relay in accordance with VDE 0113 part 1, 11/98, EN 60204-1, 12/97 and IEC 204-1, 11/98

#### Features

- Single-channel operation

#### Approvals

|  | PNOZ X7 |
|--|---------|
|  | ●       |
|  | ●       |
|  | ●       |

| Technical Data  | PNOZ X7 24 V DC/AC  | PNOZ X7 AC                           |
|---|---|--------------------------------------|
| <b>Electrical Data</b>                                      |   |                                      |
| Supply Voltage  | 24 V DC/AC  | 42, 48, 110, 115, 120, 230, 240 V AC |
| Tolerance   | 85 ... 110 %  | 85 ... 110 %                         |
| Power Consumption   | Approx. 2 W/2 VA  | Approx. 3 VA                         |
| Voltage and Current at reset circuit/feedback control loop  | 24 V DC, 50 mA  | 24 VDC, 50 mA                        |
| Switching Capability in accordance with EN 60947-4-1, 10/91 | AC1:<br>240 V/6 A/1500 VA<br>DC1:<br>24 V/6 A/150 W                     | 240 V/3 A/700 VA<br>24 V/3 A/70 W    |
| in accordance with EN 60947-5-1, 10/91                      | AC15:<br>230 V/5 A<br>DC13:<br>24 V/6 A                                 | 230 V/3 A<br>24 V/3 A                |
| Output Contacts   | 2 (N/O) safety contacts   |                                      |
| Contact Fusing to EN 60947-5-1, 10/91                       | 6 A quick or 4 A slow   |                                      |
| <b>Times</b>  |   |                                      |
| Response Delay  | Aver. 50 ms<br>Max. 400 ms  | Aver. 250 ms<br>Max. 700 ms          |
| Release Delay   | Max. 85 ms  | Max. 120 ms                          |
| Recovery Time   | Max. 400 ms   | Max. 400 ms                          |
| Max. Supply Interrupt before De-energisation                | Approx. 10 ms   | Approx. 10 ms                        |
| <b>Mechanical Data</b>                                      |   |                                      |
| Max. cross section of external conductors                   | 2 x 2.5 mm <sup>2</sup> single-core or multi-core with crimp connectors |                                      |
| Dimensions (H x W x D)                                      | 87 x 22.5 x 122 mm  |                                      |
| Weight  | 190 g   | 240 g                                |

#### Description

- 22.5 mm S-95 housing, DIN-Rail Mounting
- Relay outputs, positive guided:
  - 2 (N/O) safety contacts
- Connections:
  - e-stop button
  - reset button
- LED indicators for status and supply voltage
- Increase in the number of contacts available by connecting external contactors/relays

#### Operating Modes

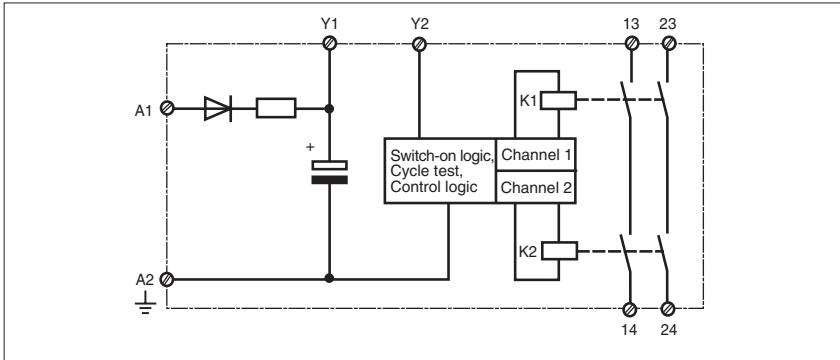
- Single-channel operation
- Automatic reset
- Manual reset

## Category 2, EN 954-1

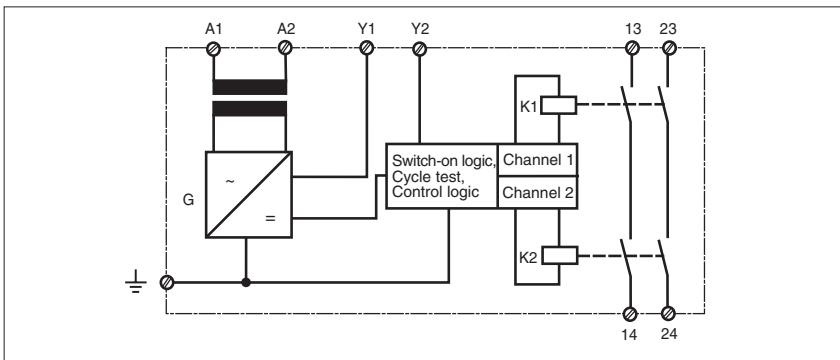
### PNOZ X7 24 V DC/AC, PNOZ X7 AC

#### Internal Wiring Diagram

– PNOZ X7 24 V DC/AC



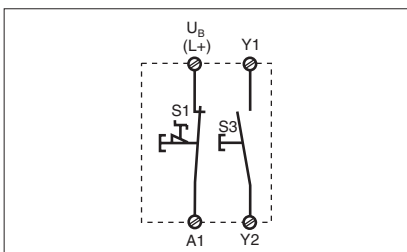
– PNOZ X7 AC



#### External Wiring

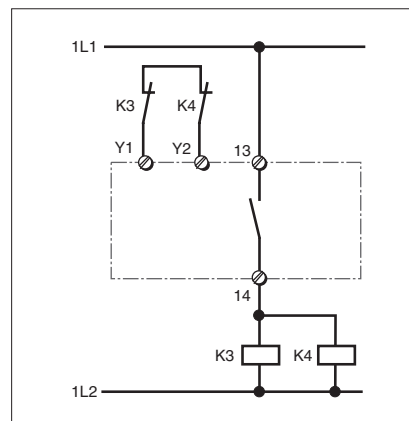
● Example 1  
Single-channel E-Stop wiring with manual reset

● Increase in contacts  
If required the number of output contacts on the PNOZ X7 can be increased using external relays / contactors.



– Key

S1: E-Stop button  
S3: Reset button



## Category 2, EN 954-1

### PNOZ X7 24 V DC/AC, PNOZ X7 AC

#### General Technical Data

Unless stated otherwise in the technical details for the specific unit

#### Electrical Data

|                    |                    |
|--------------------|--------------------|
| Frequency Range AC | 50 ... 60 Hz       |
| Residual Ripple DC | 160 %              |
| Contact Material   | AgSnO <sub>2</sub> |
| Continuous Duty    | 100 %              |

#### Environmental Data

|   |  |
|---|--|
| EMC   | EN 50081-1, 01/92, EN 50082-2, 03/95           |
| Vibration in accordance with<br>EN 60068-2-6, 04/95 | Frequency: 10 ... 55 Hz,<br>Amplitude: 0.35 mm |
| Climatic Suitability                                | DIN IEC 60068-2-3, 12/86                       |
| Airgap Creepage                                     | DIN VDE 0110 part 1, 04/97                     |
| Ambient Temperature                                 | -10 ... +55 °C                                 |
| Storage Temperature                                 | -40 ... +85 °C                                 |

#### Mechanical Data

|  |  |
|--|--|
| Torque Setting on Connection Terminals | 0.6 Nm (screws)  |
| Mounting Position                      | Any  |
| Housing Material                       | Thermoplast Noryl SE 100                                   |
| Protection                             | Mounting: IP 54<br>Housing: IP 40<br>Terminal Range: IP 20 |

The units were tested in accordance with the relevant standards current at the time of development.

#### Order References

| Type    | U <sub>B</sub> | Order No. |
|---------|----------------|-----------|
| PNOZ X7 | 24 V ACDC      | 774 059   |
| PNOZ X7 | 42 V AC        | 774 058   |
| PNOZ X7 | 48 V AC        | 774 049   |
| PNOZ X7 | 110 V AC       | 774 053   |
| PNOZ X7 | 115 V AC       | 774 054   |
| PNOZ X7 | 120 V AC       | 774 055   |
| PNOZ X7 | 230 V AC       | 774 056   |
| PNOZ X7 | 240 V AC       | 774 057   |

## X-ON Electronics

Largest Supplier of Electrical and Electronic Components

*Click to view similar products for [Emergency Stop Switches / E-Stop Switches](#) category:*

*Click to view products by [Pilz](#) manufacturer:*

Other Similar products are found below :

[84-5021.2B40](#) [84-6830.0020](#) [A01ESSP8](#) [A22EL-M-24A-11B](#) [AVN302N-R](#) [A165E-S-01\(STOP\)](#) [AYLD2212602SN-R-TK962](#)  
[AVLD39911N-R-24V](#) [A22Z-EG22](#) [A165E-SY](#) [3100.0110Y](#) [3050.1302Y](#) [3SE2243-0XX40](#) [3SK1111-2AB30](#) [3SK1211-1BB40](#) [44-710](#) [84-](#)  
[6841.2B20](#) [84-6830.0040](#) [H3141AAKAA](#) [A165E-R-24D-01](#) [E3102AAAAB](#) [A22E-M-03](#) [ZA2BV05](#) [A22EL-M-T2-01](#) [951FY000-WO](#)  
[ER6022-022N](#) [952+2000-00](#) [ES3S51653](#) [601+0000-OP](#) [E3101AAAAB](#) [84-5130.0040](#) [CS AR-05V024](#) [CS AR-22V024](#) [DS AE1VA](#) [DS](#)  
[KB2A](#) [DS KB3A](#) [HE2G-21SHE-L-K](#) [HE6B-M211Y](#) [774191](#) [774316](#) [777760](#) [R1.100.0129.0 SMA0129- NO/NO](#) [R1.188.0640.0 SNV](#)  
[4063KL-A](#) [R1.188.1810.0 SNA 4043K-A](#) [R1.188.1840.0 SNA 4043K-A](#) [SR BD40ALK-B02F](#) [AVLW39911D-R-120V](#) [AYD311NUG](#)  
[AVLD32211DNUR](#) [84-5040.0020.0049](#)