

ALUMINUM ELECTROLYTIC CAPACITORS SPECIFICATION SHEET

CUSTOMER PART No.		
Rubycon PART No.	400 PX 4R7 M EFC T7 8X11.5	
DRAWING No.	REE - 117583	ISSUE No. 1
ISSUE DATE	28 April 2015	



RUBYCON CORPORATION
ENGINEERING DIVISION

1938-1, NISHIMINOWA, INA-SHI, NAGANO-KEN, JAPAN

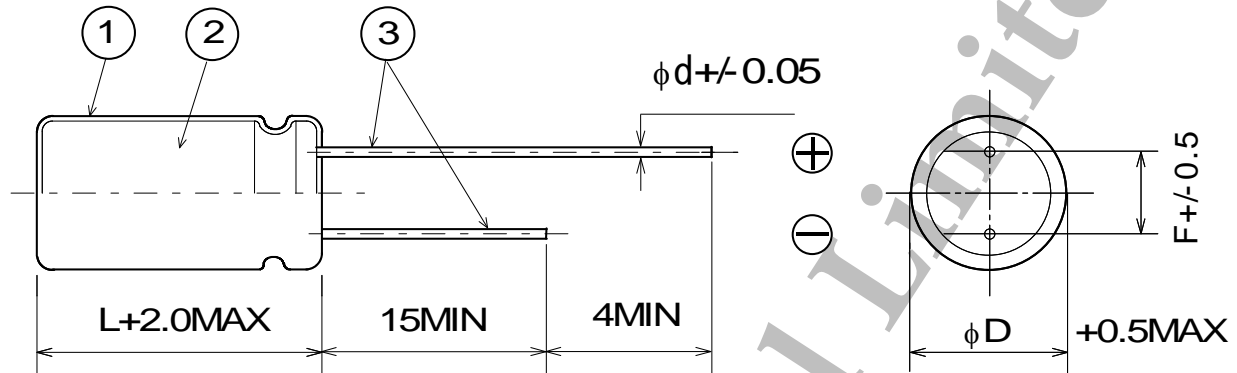
TEL No. 0265-72-7116

FAX No. 0265-73-3380

DESIGN	YUICHI KOBAYASHI
	<i>Yuichi Kobayashi</i>
CHECK	TAKESHI KOBAYASHI
	<i>T. Kobayashi</i>
APPROVAL	HIROKAZU KOUMURA
	<i>H. Koumura</i>

ALUMINUM ELECTROLYTIC CAPACITORS	Style	CE 04			
	Operating Temperature Range	-40 ~ +105°C			
	Reference Standard	JIS C 5141 JIS C 5102			
400 WV	4.7 MFD	(PX SERIES)	① Sleeve	P.E.T.	
			② Case	Aluminum	
			③ Lead Wire	CP Wire	Tin plated

1. Dimensions unit : mm



2. Electrical Performance


Table-1

NOMINAL CAPACITANCE (μF)	CAPACITANCE TOLERANCE (%) 20°C, 120Hz	RATED VOLTAGE (V.DC)	SURGE VOLTAGE (V.DC)	LEAKAGE CURRENT (μA MAX) 20°C		D.F. tan δ MAX 20°C 120Hz	MAX RIPPLE CURRENT (mA rms) 105°C 120Hz
				1min	5min		
4.7	-20 ~ +20	400	450	175	62.6	0.24	48

IMPEDANCE RATIO 120Hz		DIMENSIONS (mm)			
Z-25°C/Z20°C	Z-40°C/Z20°C	φD	L	F	φd
6	10	8	11.5	3.5	0.6

3. Marking : Unless otherwise specified, capacitor shall be clearly marked the following items on its body.

Sleeve color : Black
Lettering color : White

- | | |
|-----------------------------------|---|
| (1) Trade mark | Rubycon |
| (2) Rated Voltage | 400V |
| (3) Nominal Capacitance | 4.7μF |
| (4) Polarity |  (Negative Polarity) |
| (5) Series | PX |
| (6) Date Code | |
| (7) Maximum Operating temperature | 105°C |
| (8) PET sleeve mark | PET |

4. Vent

A safety vent shall be provided on capacitor.

PX SERIES

Rubycon
RUBYCON CORPORATION

5. Load Life test

Capacitor under test shall be applied the rated voltage continuously through 1000 ohm series protective resistor (with maximum ripple current) at $105\pm 2^{\circ}\text{C}$. After 1000^{+48}_0 hours, capacitor shall be stored in standard condition for 2 hours or more, then capacitor shall meet following requirement.

Capacitance Change : within $\pm 20\%$ of the initially measured value.
 Dissipation Factor : less than 200% of the specified value.
 Leakage Current : less than the specified value.
 Appearance : notable changes shall not be found.

6. Shelf life test

Capacitors shall be stored at $105\pm 2^{\circ}\text{C}$ with no voltage applied for 1000^{+48}_0 hours. After the test and returned in standard condition for 1 to 2 hours and the capacitor shall meet following requirements. (If any doubt arises on the judgment, the capacitors shall be subjected to voltage treatment specified in JIS C 5141,5.2.)

Capacitance Change : within $\pm 25\%$ of the initially measured value.
 Dissipation Factor : less than 200% of the specified value.
 Leakage Current : less than the specified value.
 Appearance : notable changes shall not be found.

7. Correction factor for ripple current

The maximum permissible ripple current is the maximum A.C. current at 120Hz and can be applied at maximum operating temperature. The combined value of D.C. voltage and the peak A.C. voltage shall not exceed the rated voltage and shall not be reverse voltage.

< Frequency Coefficient >

Freq. (Hz)	60(50)	120	500	1k	10k \leq
Multiplier	0.65	1.00	1.20	1.30	1.50

< Temperature Coefficient >

Ambient Temperature($^{\circ}\text{C}$)	105	85	65 \geq
Coefficient	1.0	1.7	2.1

◇ Temperature coefficient shows a limit of ripple current exceeding the rated ripple current that can be passed through a capacitor at each temperature when the life expectancy of a capacitor becomes to be nearly equal with the lifetime at the rated maximum operating temperature.

◇ Ripple voltage with wide amplitude

Use of aluminum electrolytic capacitor under ripple voltage with wide amplitude is equivalent to quick charge-discharge operation. When ripple voltage with the amplitude over 70Vp-p is expected for the products with rated voltage over 100V, please contact us.

8. Notes on use of aluminum electrolytic capacitors

(1) Charge and discharge

Do not use for the circuit that repeats quick charge or discharge.

(2) External stress

Do not apply excessive force of pushing, pulling bending, and/or twisting to the main body, lead wire and terminals.

(3) Heat resistance at soldering process

In the soldering process of PC board with Capacitors mounted, secondary shrinkage or crack of sleeve may be observed when soldering temperature is too high and /or soldering time is too long.

If lead wire of other components or pattern of double sided PC board touches the capacitor, the similar failure may be also originated at pre-heating, heating at hardening process of adhesive and soldering process.

(4) Insulation and PC board mounting

Sleeve is for marking purpose only.

It is not recognized as insulation materials.

When double sided PC board is employed, note that it could cause a short circuit if lead wire of other components or pattern of double sided PC board touches capacitor. Please avoid circuit pattern runs underneath capacitor.

In addition, case and cathode terminal are not insulated.

(5) Adhesives and coating materials

Do not use the adhesives and coating materials that contain halogenated organic solvents or chloroprene as polymer.

(6) Storage

Keep at a normal temperature and humidity. During a long storage time, leakage current will be increased. To prevent heat rise or any trouble that high leakage current possibly causes, voltage treatment is recommended for the capacitors that have been stored for a long time.

.<Storage Condition>

*Aluminum electrolytic capacitors should not be stored in high temperatures or where there is a high level of humidity. The suitable storage condition is 5°C-35°C and less than 75% in relative humidity.

*Aluminum electrolytic capacitors should not be stored in damp conditions such as water, saltwater spray or oil spray.

*Do not store aluminum electrolytic capacitors in an environment full of hazardous gas (hydrogen sulfide, sulfurous acid gas, nitrous acid, chlorine gas, ammonia or bromine gas).

*Aluminum electrolytic capacitors should not be stored under exposure to ozone, ultraviolet rays or radiation.

(7) Fumigation and halogenated flame retardant

It may cause corrosion of internal electrodes, aluminum cases and terminal surface when the following conditions exist.

*Fumigation of wooden pallets before shipment to disinfect vermin.

*Existence of components or parts that contain halogenated flame retardant agent (bromine etc.) together with capacitors.

*When halogenated detergents or antiseptics for preventing infection of epidemic diseases contact directly to capacitors.

(8) PC board cleaning after soldering

Please consult us when cleaning is subjected.

◆ Guide to application except the above are described in our catalog and EIAJ RCR-2367C.

EIAJ RCR-2367C: Safety Application Guide for fixed aluminum electrolytic capacitors for use in electronic equipment."

Published by Japan Electronics and Information Technology Industries Association.

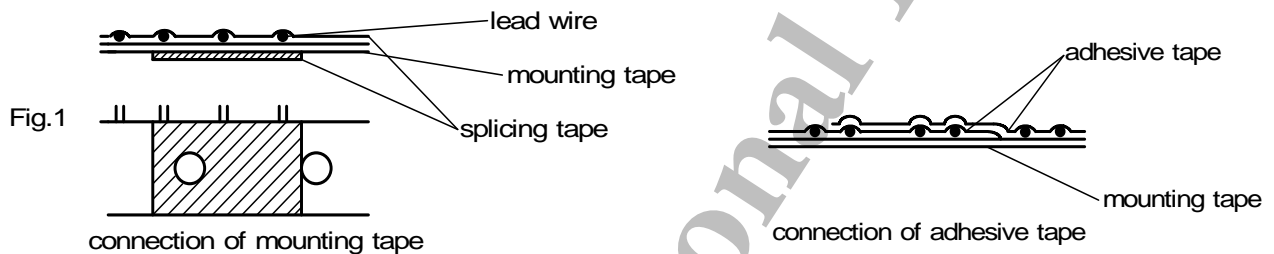
•TAPING SPECIFICATION OF RADIAL LEAD TYPE ALUMINUM ELECTROLYTIC CAPACITORS

1.Scope

This specification covers taped radial lead type electrolytic capacitors, with case dia of $\phi 8\text{mm}$.

2.Requirements.

- 2-1. Body tape requirements are shown in 6/6 page.
- 2-2. All polarized capacitors must be oriented in one direction.
- 2-3. Leader tape shall be provided before the first capacitor and after the last one on tape at minimum length of 3 feed holes.
- 2-4. Maximum of 3 consecutive missing capacitors are permitted while one pack quantity meets the specification in para.4.
- 2-5. Mounting tape shall be spliced as shown in Fig.1. Mounting tape shall not be over lapped.

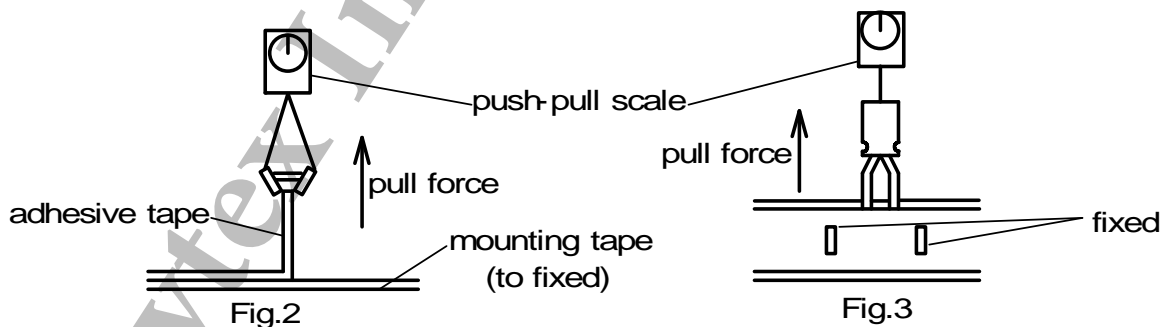


- 2-6. Defective capacitors shall be pulled out or clipped from the mounting tape.
Remaining protrusion of the leads shall not exceed 2mm from edge of the tape, when clipped.

3. Adhesion test of mounting tape

- 3-1. Adhesive tape on the mounting tape shall not a tear off at the force of less than 3N {0.3kgf} when tested in a manner shown in Fig.2.
- 3-2. Capacitors shall not be pulled out of the tape with a following load applied to the capacitor body in a manner shown in Fig.3.

Dia $\leq \phi$ 8mm 10N {1.0kgf}
Dia $\geq \phi$ 10mm 5N {0.5kgf}



4.Package

Taped capacitors shall be packed in a carton shown in Fig.4, with tape ammunition.

Packed cartons shall be marked at least polarity, rated voltage, nominal capacitance and quantity.

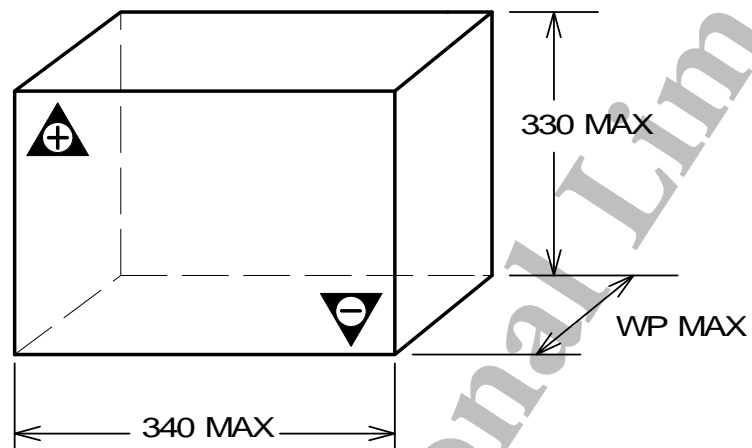
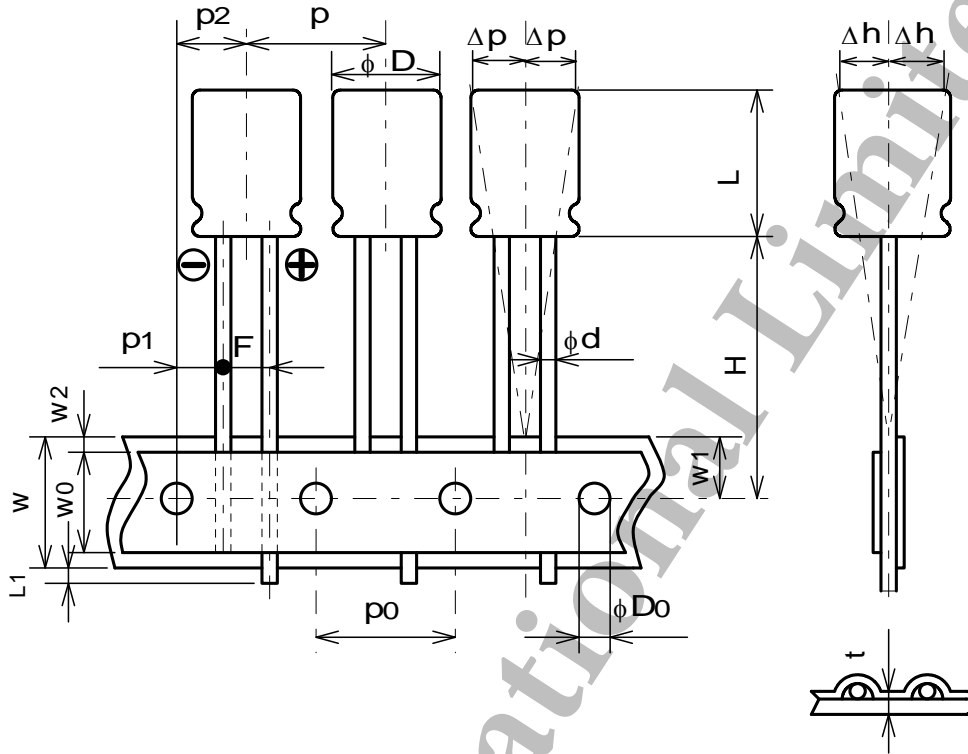


Fig.4

STANDARD PACKING QUANTITY

CASE DIA	QUANTITY	WP(mm)
$\phi 8 \times 11.5L$	1000	54

CODE : T7 (Positive leading)

LEAD TYPE (DIA. $\phi 8$)

Symbol	Case Dia ϕ mm		Remarks
	$\phi 8$		
ϕd	0.6	± 0.05	Dia of lead
L	13.5	MAX	Height of body
P	12.7	± 1.0	Distance from center to center of body
P ₀	12.7	± 0.2	Distance from center to center of driving hole
P ₁	4.6	± 0.5	Distance between center of driving hole and lead
P ₂	6.35	± 1.0	Distance between center of driving hole and body
F	3.5	$\begin{matrix} +0.8 \\ -0.2 \end{matrix}$	Lead spacing
W	18.0	± 0.3	Width of mounting tape
W ₀	5.0	MIN	Width of adhesive tape
W ₁	9.0	± 0.5	Distance between center of driving hole and edge of mounting tape
W ₂	1.5	MAX	Max. allowable distance between mount and adhesive tape side
H	20.0	± 0.75	Distance between center of driving hole and bottom of body
L ₁	0.5	MAX	Protrusion of lead
ϕD_0	4.0	± 0.2	Dia. of driving hole
Δh	1.0	MAX	Off alignment of body
Δp	1.0	MAX	Off alignment of body
t	0.6	± 0.3	Sum of thickness for mounting and adhesive tape without lead dia.

PX SERIES

Rubycon
RUBYCON CORPORATION

X-ON Electronics

Largest Supplier of Electrical and Electronic Components

Click to view similar products for [Aluminium Electrolytic Capacitors - Radial Leaded](#) category:

Click to view products by [Rubycon](#) manufacturer:

Other Similar products are found below :

[NRELS102M35V16X16C.140LLF](#) [ESRG160ETC100MD07D](#) [227RZS050M](#) [335CKR250M](#) [476CKH100MSA](#) [477CKR100M](#)
[107CKR010M](#) [107CKH063MSA](#) [RJH-25V222MI9#](#) [RJH-35V221MG5#](#) [B43827A1106M8](#) [RJH-50V221MH6#](#) [EKYA500ELL470MF11D](#)
[B41022A5686M6](#) [ESRG250ELL101MH09D](#) [EKMA160EC3101MF07D](#) [RJB-10V471MG3#](#) [ESMG160ETD221MF11D](#)
[EKZH160ETD152MJ20S](#) [RJH-35V122MJ6#](#) [EGXF630ELL621ML20S](#) [RBD-25V100KE3#N](#) [EKMA350ELL100ME07D](#)
[ESMG160ETD101ME11D](#) [ELXY100ETD102MJ20S](#) [EGXF500ELL561ML15S](#) [EKMG350ETD471MJ16S](#) [35YXA330MEFC10X12.5](#)
[RXW471M1ESA-0815](#) [ELXZ630ELL221MJ25S](#) [ERR1HM1R0D11OT](#) [LPE681M30060FVA](#) [LPL471M22030FVA](#) [HFE221M25030FVA](#)
[LKMD1401H221MF](#) [B41888G6108M000](#) [EKMA160ETD470MF07D](#) [UHW1J102MHD6](#) [EKMG500ETD221MJC5S](#) [LKMK2502W101MF](#)
[LKMD1401H181MF](#) [LKMI2502G820MF](#) [LKMJ2001J122MF](#) [LKML2501C472MF](#) [LKMJ4002C681MF](#) [450MXH330MEFCSN25X45](#)
[450MXK330MA2RFC22X50](#) [63ZLH560MEFCG412.5X30](#) [ELH2DM331O25KT](#) [ELH2DM471P30KT](#)