

2

1

REVISIONS

LTR	DESCRIPTION	DATE
E	REVISED PER ECO-10-026399	12/28/2010
E1	REVISED PER ECO-14-002114	2/12/2014

NOTES:

1. PART DESCRIPTION: CONNECTOR JACK, TRIAXIAL, BULKHEAD SHORT SHELL (RAYTHEON #11453048).

MATERIAL:

HOUSING BODY: BRASS ALLOY PER ASTM B16
 JAM NUT: BRASS ALLOY PER ASTM B16
 LOCK WASHER: STAINLESS STEEL 300 SERIES
 INSULATOR: THERMOPLASTIC PER ASTM D 4181.

FINISH:

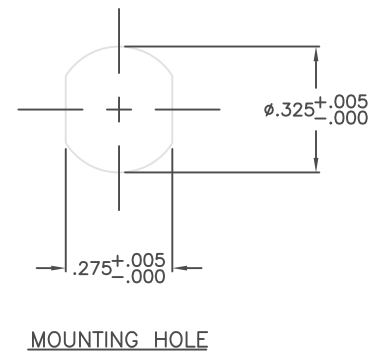
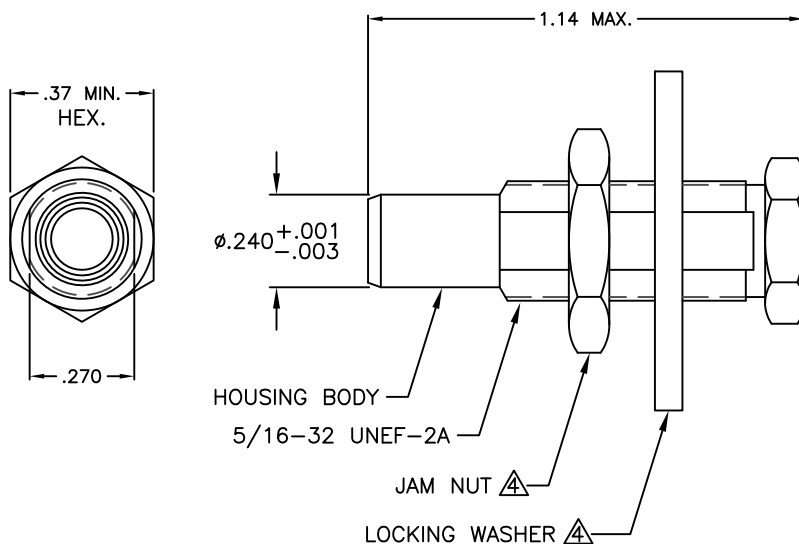
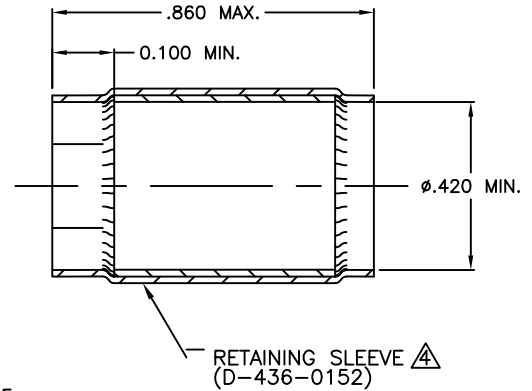
HOUSING BODY: TIN PLATED PER ASTM B545.
 JAM NUT: NICKEL PLATED PER SAE AMS-QQ-N-290.
 LOCK WASHER: PASSIVATE PER QQ-P-35.

2. HOUSING ACCOMMODATION: HOUSING DESIGNED TO ACCEPT SHIELDED CONTACTS M15-20067/1 THRU M15-20067/4 SHIELDED, TYCO ELECTRONICS SOLDERCONTACT D-602-44/45 AND D-602-54/55.

3. MATING CONNECTOR: THIS CONNECTOR WILL MATE WITH D-621-0001 (RAYTHEON #11453046) CONNECTOR, PLUG SUBMINIATURE, TRIAXIAL.

△ JAM NUT, LOCK WASHER AND RETAINING SLEEVE SUPPLIED UNASSEMBLED.

5. FOR RETAINING SLEEVE INSTALLATION INSTRUCTIONS, SEE DRAWING NUMBER D-436-0152, SHEET 2.



Raychem Databus CUSTOMER DRAWING

© 2010-2014 Tyco Electronics Corporation. All Rights Reserved.

TE

TE Connectivity

UNLESS OTHERWISE SPECIFIED
 DIMENSIONS ARE INCHES. METRIC
 DIMENSIONS ARE IN BRACKETS.

DECIMAL TOLERANCES

.XXX ± 0.005 [0.13 mm]
 .XX ± 0.01 [0.25 mm]
 .X ± 0.1 [0.50 mm]

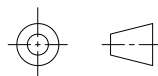
ANGLE TOLERANCE

.X ± 1 DEG.

REVISED
 U. NGUYEN

APPROVED
 L. RODRIGUEZ

THIRD ANGLE
 PROJECTION



TYCO ELECTRONICS RESERVES THE RIGHT TO
 AMEND THIS DRAWING AT ANY TIME. USERS
 SHOULD EVALUATE THE SUITABILITY OF THE
 PRODUCT FOR THEIR APPLICATION.

TITLE

CONNECTOR, JACK, TRIAXIAL,
 BULKHEAD, SHORT SHELL
 WITH RETAINING SLEEVE

SIZE

A

CODE IDENT NO.

06090

DWG. NO.

D-621-0028

DO NOT SCALE THIS DRAWING

SHEET 1 OF 1

2

1

X-ON Electronics

Largest Supplier of Electrical and Electronic Components

Click to view similar products for [Data Bus Components - Connectors](#) category:

Click to view products by [TE Connectivity](#) manufacturer:

Other Similar products are found below :

[891382-000](#) [626023-000](#) [855793-000](#) [D-500-0255-021-01CS252](#) [D-621-0211](#) [D-704-0079](#) [DK-621-0047-2PCS228](#) [DK-621-0412CS325](#)
[DK-621-1637-3P](#) [911225N001](#) [F33352-000](#) [187711-000](#) [201526-000](#) [491952-000](#) [D-600-0174](#) [D-621-0011CS1271](#) [D-621-0472](#) [D-711-03](#)
[DK-621-0050-1P](#) [DK-621-0412-UP](#) [DK-621-0440-4P-CS1498](#) [499725-000](#) [514433-000](#) [E40867-000](#) [614637N002](#) [645241N002](#) [734977-000](#)
[D-500-L455-1-612-360](#) [DK-621-0436-2P-CS1498](#) [041809-000](#) [199653-000](#) [580047-000](#) [608041-000](#) [DK-621-0411-45S](#) [DK-621-0411-US](#)
[DK-621-1633-1S](#) [DK-621-1635-2PCS324](#) [DK-621-1636-2S](#) [DK-621-1638-3S](#) [DK-621-1639-4S](#) [DK-621-1640-4P](#) [149317-000](#) [DK-621-](#)
[0435R-2S](#) [915480-000](#) [DK-621-0435-2UP](#) [D-621-0412-JD](#) [D-621-0477](#) [D-621-0412](#) [DK-621-0411-UP](#) [DK-621-0437-3S](#)