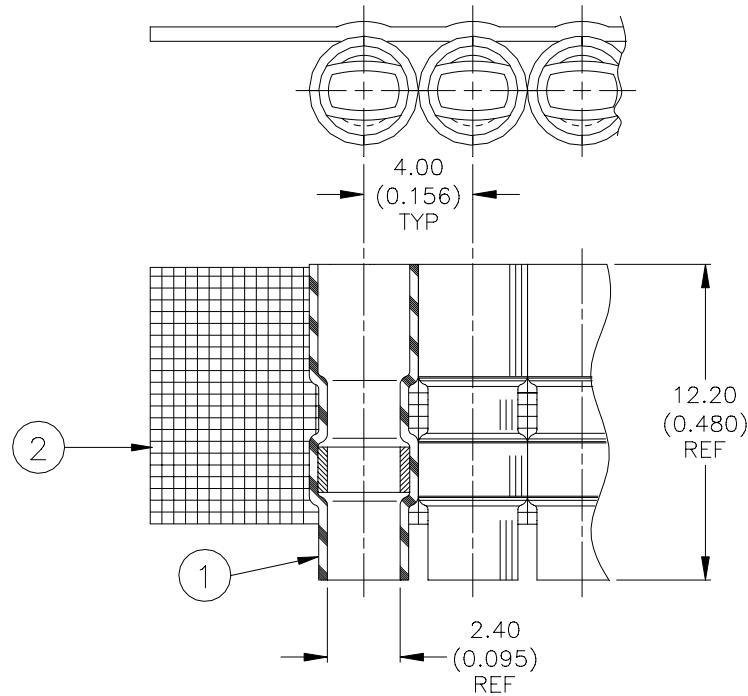


## SPECIFICATION CONTROL DRAWING



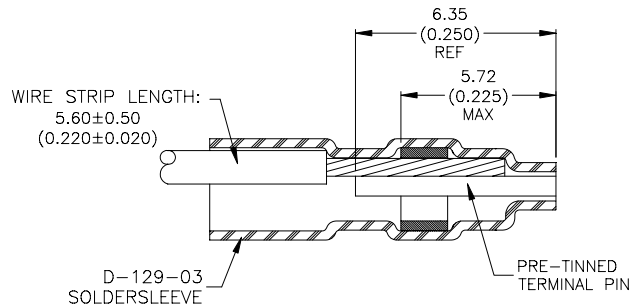
### MATERIALS

1. SOLDERSLLEEVE: D-129-03. Quantity Per Assembly: 500
2. CARRIER STRIP: Adhesive Coated High Temperature Tape

### APPLICATION

1. This assembly is designed for use on PCB connectors having eyelet terminals parallel longitudinally with the face of the connector on 4.00 (0.156) spacing.
3. Sleeves are to be installed using Raychem-approved convection or infrared heating tools.
4. Strip wires to  $5.60 \pm 0.50$  ( $0.220 \pm 0.020$ ) and pre-tin.
5. Trim pre-tinned terminal pins, as required to 6.35 (0.250).

### Solder Sleeve and Lead in Position for Assembly



<b>tyco</b> <i>Electronics</i>	<b>Raychem</b>	Tyco Electronics Corporation 300 Constitutional Drive Menlo Park, CA 94025 USA	<b>TITLE : SOLDERPAK ASSEMBLY, PCB CONNECTOR</b> 2.16 (0.085)x 0.50 (0.020) x 6.35 (0.250) Terminals on 4.00 (0.156) Center Spacing				
Unless otherwise specified dimensions are in millimeters. Inches dimensions are in between brackets.			DOCUMENT NO.: <b>D-714-00</b>				
TOLERANCES: 0.00 N/A 0.0 N/A 0 N/A	ANGLES: N/A  ROUGHNESS IN MICRON	Tyco Electronics reserves the right to amend this drawing at any time. Users should evaluate the suitability of the product for their application.	DATE:	22-Jun-01	DOC ISSUE:	1	
DRAWN BY: M. FORONDA	CAGE CODE: 06090	REPLACES: N/A	DCR NUMBER: D010416	PROD. REV.:	SCALE: None	SIZE: A	SHEET: 1 of 1

If this document is printed it becomes uncontrolled. Check with the web for the latest revision.

## X-ON Electronics

Largest Supplier of Electrical and Electronic Components

*Click to view similar products for [Solder & Shield Tubing category](#):*

*Click to view products by [TE Connectivity manufacturer](#):*

Other Similar products are found below :

[CTC-0062-20-9/5-9](#) [CTC-0062-22-9/5-9](#) [650076N001](#) [680441-000](#) [D-150-0331CS2902](#) [D-181-1222-90/9CS2800](#) [D-300-01CS1108](#) [982127-1](#) [D-436-0127CS391](#) [D-436-0182CS246](#) [D-436-37CS2651](#) [D-436-58CS246](#) [D-436-61CS246](#) [D-436-82-CS2621](#) [D-659-0087](#) [D-750-0005CS2493](#) [E53797N001](#) [S200-2-01](#) [S200-4-00CS2904](#) [LSS-81-16AA-CS5575](#) [SO63-2-9036-22CS2677](#) [SO63-3-01CS293](#) [SO63-3-9036-20CS2677](#) [SO63-3-9036-22CS2677](#) [SO63-4-9036-20CS2677](#) [SO63-5-9036-22CS2677](#) [CC1525-000](#) [CTA-0025](#) [CTA-0025CS072](#) [D-108-01CS227](#) [D-108-07CS436](#) [D-128-0010](#) [D-141-0108CS404](#) [D-142-51-202-7754](#) [D-144-41CS1371](#) [D-150-0231-NRCS2896](#) [B-801-18-01](#) [B-801-58](#) [515-9](#) [C67137-000](#) [D-436-36CS2908](#) [D-436-37CS2908](#) [D-436-52CS246](#) [D-436-83CS2705](#) [D-438-0102](#) [LSS-26-8A](#) [427243-000](#) [D-106-2012](#) [D-300-08CS1108](#) [UWCS-2U/7.6-1C/5.8](#)