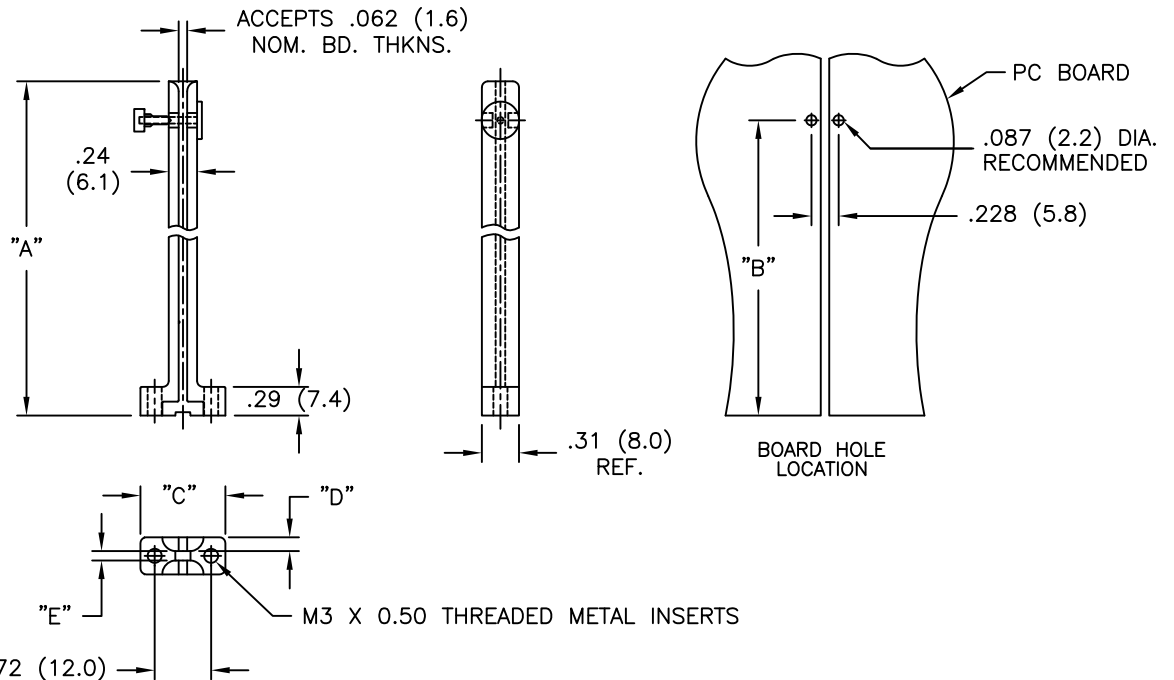


PART NO.	"A"	"B"	"C"	"D"	"E"
VMCG-50-MPBK-K	1.83 (46.5)	1.67 (42.3)	.71 (18)	.104 (2.6)	.105 (2.7)
VMCG-65-MPBK-K	2.56 (65.0)	2.22 (56.5)			
VMCG-90-MPBK-K	3.54 (90.0)	3.21 (81.5)			
VMCG-135-MPBK-K	5.31 (135.0)	4.98 (126.5)	.75 (19)	.118 (3.0)	.079 (2.0)
VMCG-160-MPBK-K	6.30 (160.0)	4.43 (112.5)	.71 (18)		
VMCG-330-MPBK-K	4.73 (120.1)	4.43 (112.5)			



NOTES:

- MATERIAL: NYLON 6, GLASS FILLED, (RMS-38)
-FLAME RETARDANT NYLON 6 UL 94 V-0,
30% GLASS FILLED (RMS-371), AVAILABLE
BY SPECIAL ORDER.
TO ORDER US P/N: VMCG-XX-MPBK-FR-K
- COLOR: GRAY.
- COMPONENTS:
 - LOCKING BUTTON: HDPE (RMS-284)
 - SCREW: MILD STEEL, ZINC PLATED (RMS-415)
 - THREADED INSERT: BRASS (RMS-231)
 - WASHER: STAINLESS STEEL (RMS-228)

N	SEE CO 200620, SCREW MAT'L CHANGED	SK 01.18.11
M	REMOVED .079 (2) DIM. SEE CO 200552	SK 07.07.10
L	ADDED "C" DIMENSION, SEE CO #200492	DZ 02.09.10
K	SEE CO 200084 FOR CHANGES	SK 12.06.07
J	SEE ECN #1356 FOR CHANGES	SK 08.22.07
I	SEE ECN #1285 FOR CHANGES	SK 02.12.07
H	SEE ECN #1146 FOR CHANGES	SJ 03.28.06
X	SEE ENGINEERING FOR REV. A~G	
REV	DESCRIPTION	ENGR DATE

TITLE: VERTICAL MOUNT CARD GUIDE, TYPE 1			DWG IN IN (MM)	FINAL	PRINT TYPE
FILE #	VMCG-1	DWN: P.B.	DT: 03.23.94	PART #	CA
MAT'L:	SEE NOTES	CHKD:	ENG:		
RE:	RICHCO, INC.	RICHCO INC. ENG@RICHCO-INC.COM (773) 539-4060		SEE TABLE	

X-ON Electronics

Largest Supplier of Electrical and Electronic Components

Click to view similar products for [Electrical Enclosure Accessories](#) category:

Click to view products by [Richco](#) manufacturer:

Other Similar products are found below :

[60121-06-028 C-325 Black](#) [71884-04-028 CM3-100 Black](#) [71884-18-028 LH43-200 Black](#) [71884-24-028 LH75-200 Black](#) [71885-01-028 CM6-150 Black](#) [72459-02-028 DM-3 BLACK](#) [81501-01-000 XPL, 9VB Black](#) [82402-01 PT-8 ALUM](#) [1335GSKT3](#) [14101FP-PK](#) [CB-1263-BT](#) [1611512-4](#) [HB-11498](#) [RC-7775](#) [HM BLACK PANEL](#) [61033-01-000](#) [115123-01-508 CN-RL RS](#) [115124-01-508 CN-XRL XRS](#) [115119-01-000 CN-RL RS](#) [115123-01-000 CN-RL RS](#) [60121-04-028 C-275 Black](#) [60128-01-072](#) [60222-01-028 CM6-225 Black](#) [60272-01-028 CM3-150 Black](#) [60851-01-028 CM69-120 Black](#) [62291-502-000-KEU-10-BLK](#) [62452-01-000 HML-9VB, EB Black](#) [71884-25-028 LH89-130 Black](#) [AXX2POSTBRCKT](#) [FUPMESK](#) [71884-23-028 LH75-130 Black](#) [1317GSKTSC](#) [8G813V40389](#) [DVA.1-10-15-M4-10-70](#) [DVC.1-60-49-60-M10-28-55](#) [DVC.1-15-8,5-15-M4-10-40](#) [DVC.1-20-12-30-M6-18-40](#) [DVC.1-30-18-25-M8-20-40](#) [DVC.1-35-31-15-M8-20-40](#) [DVC.1-35-31-15-M8-20-70](#) [DVC.1-75-60-40-M12-37-70](#) [DVC.2-30-22-20-M8-20-55](#) [DVC.2-40-30-25-M8-23-55](#) [DVC.2-75-60-40-M12-37-55](#) [DVC.2-21-16-22-M6-18-40](#) [DVC.2-40-20-48-M8-23-40](#) [DVC.2-40-32-50-M8-23-40](#) [DVC.2-20-14-19-M6-18-70](#) [DVC.2-25-18-20-M6-18-70](#) [DVC.3-20-14-20-M6-40](#) [DVC.3-20-14-30-M6-40](#)