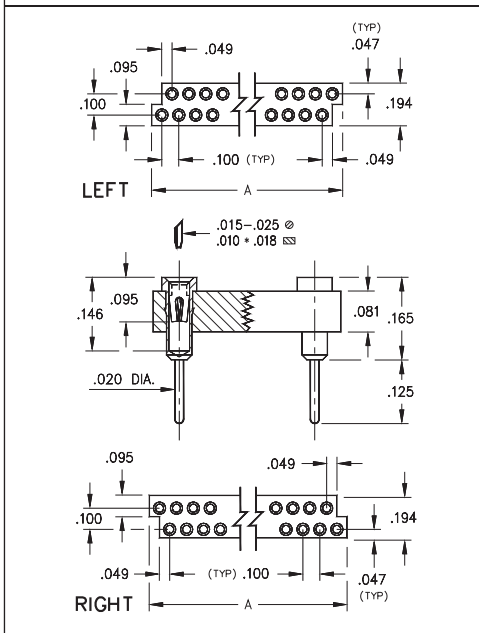
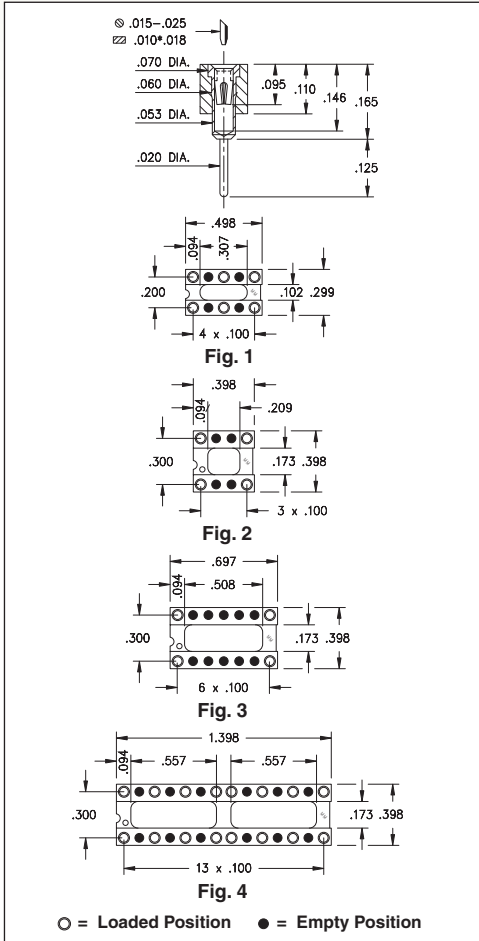
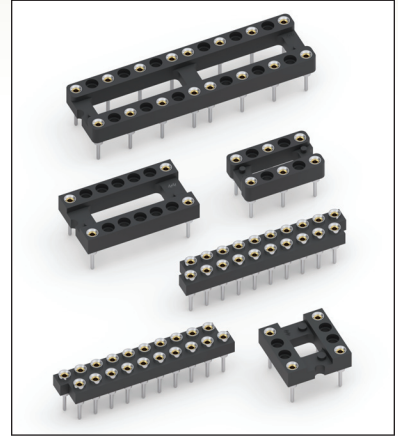


# DUAL-IN-LINE SOCKETS

## SERIES 110, 410 • RELAY AND ZIG-ZAG SOCKETS



- Relay sockets accept devices with I/O pins on .100" grid
- Additional Relay DIP socket patterns are available on Page 135
- Zig-Zag strip sockets are suitable for IC's and memory chips with staggered double row patterns
- Series 110 and 410 use MM #1001 receptacles. See page 165 for details
- Hi-Rel, 4-finger BeCu #30 contact is rated at 3 amps. See page 253 for details
- Insulators are high temperature thermoplastic, suitable for all soldering operations
- For Electrical, Mechanical and Environmental Data, see page 264 for details



## ORDERING INFORMATION

### Selectively Loaded Sockets For Dual-In-Line Relays



	Number of Pins	Ordering Information
<b>FIG. 1</b>	6	110-XX-210-10-001000
<b>FIG. 2</b>	4	110-XX-308-10-001000
<b>FIG. 3</b>	4	110-XX-314-10-001000
<b>FIG. 4</b>	16	110-XX-328-10-001000

### Staggered (Zig-Zag) Strip Sockets

Dim 'A'	Number of Pins	Insulator Body	Ordering Information
0.747	14	Left, Stackable	410-XX-214-10-001000
0.747	14	Right, Stackable	410-XX-214-10-002000
0.847	16	Left, Stackable	410-XX-216-10-001000
0.847	16	Right, Stackable	410-XX-216-10-002000
1.047	20	Left, Stackable	410-XX-220-10-001000
1.047	20	Right, Stackable	410-XX-220-10-002000
1.247	24	Left, Stackable	410-XX-224-10-001000
1.247	24	Right, Stackable	410-XX-224-10-002000
1.447	28	Left, Stackable	410-XX-228-10-001000
1.447	28	Right, Stackable	410-XX-228-10-002000

XX=Plating Code  
See Below

RoHS-2  
2011/65/EU

SPECIFY PLATING CODE XX=	13	93	43
Sleeve (Pin) 	10 μ" Au	200 μ" Sn/Pb	200 μ" Sn
Contact (Clip) 	30 μ" Au	30 μ" Au	30 μ" Au



## X-ON Electronics

Largest Supplier of Electrical and Electronic Components

*Click to view similar products for [IC & Component Sockets](#) category:*

*Click to view products by [Mill-Max](#) manufacturer:*

Other Similar products are found below :

[714-43-102-31-012000](#) [0066-3-17-15-30-14-02-0](#) [0134-0-15-15-32-27-04-0](#) [614-DG5](#) [6527-0-00-15-00-00-03-0](#) [670](#) [672](#) [673](#) [712-93-120-41-001000](#) [714-93-104-31-018000](#) [8059-4G1-LF](#) [807-22-001-10-001101](#) [807-22-001-10-003101](#) [807-22-001-10-004101](#) [807-22-001-10-006101](#) [807-22-001-30-011101](#) [807-22-001-30-012101](#) [807-22-001-30-013101](#) [807-22-001-30-014101](#) [8-1437531-4](#) [8150-6P10](#) [833-93-034-10-001000](#) [835-43-014-10-001000](#) [851-41-006-10-001000](#) [851-43-008-20-001000](#) [851-43-014-20-001000](#) [851-93-006-20-001000](#) [851-93-010-20-001000](#) [852-10-026-10-001000](#) [853-43-020-10-001000](#) [86.010.0053.0](#) [116-43-306-41-003000](#) [116-43-308-41-007000](#) [116-87-308-41-007101](#) [PX-68LCC](#) [PX-84LCC](#) [121-13-318-41-001000](#) [121-13-320-41-001000](#) [121-13-308-41-001000](#) [123-43-314-41-801000](#) [123-43-420-41-001000](#) [123-43-636-41-001000](#) [123-87-320-41-001101](#) [122-13-316-41-001000](#) [123-13-624-41-001000](#) [123-43-306-41-001000](#) [123-43-322-41-801000](#) [123-43-428-41-001000](#) [123-43-624-41-001000](#) [12-3513-11](#)