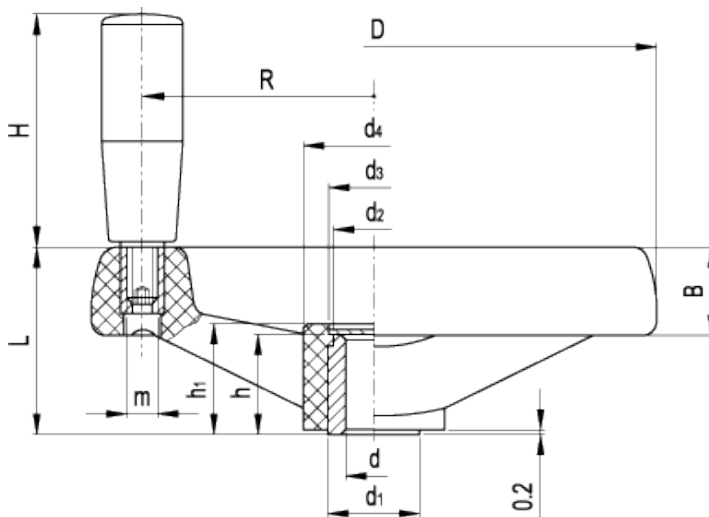


VRTP+I VRTP+IEL



Spoked handwheels with revolving handle



technical informations

Material

High-resilience polypropylene based (PP) technopolymer. Resistant to solvents, oils, greases and other chemical agents.

Colour

Black, matte finish.

Assembly

- Black-oxide steel boss, H7 reamed hole.
 - Execution K: bosses with hole and keyway in compliance with [DIN 6885/1 P9 tolerance](#).
- To order the handwheel with keyway complete code and description with the index -K.

Self-adhesive front plate

Anodised aluminium.

Revolving handle

- VRTP+I: type [L_601+x](#) high-resilience polypropylene based (PP) technopolymer, black colour, matte finish.
- VRTP+IEL: type [IEL+x](#) semi-rigid thermoplastic elastomer (TPE), hardness 40 Shore D, black colour, matte finish. The two-volume special design of the handle provides the operator's hand with a safe and ergonomic grip when turning the handwheel.



VRTP+IEL

Accessories on request

Axial retaining washer type [GN 184](#).

Standard Elements		Main dimensions									Bore		Handle			C #	L #	Weight
Code	Description	D	L	B	d ₁	d ₂	d ₃	d ₄	h ₁	d _{H7}	h	H	m	R	[Nm]	[J]	g	
78421	VRTP.80+I A-8	80	35	18	18	16	17	23	19	8	17	40	M6	29	32	5	104	
78422	VRTP.80+I A-10	80	35	18	18	16	17	23	19	10	17	40	M6	29	32	5	100	
78520	VRTP.100+I A-8	99	37	20	18	16	17	25	19	8	17	56	M6	37	54	7	150	
78521	VRTP.100+I A-10	99	37	20	18	16	17	25	19	10	17	56	M6	37	54	7	145	
78522	VRTP.100+I A-12	99	37	20	18	16	17	25	19	12	17	56	M6	37	54	7	140	
78620	VRTP.125+I A-8	124	44	22	22	20	21	31	25	8	22	65	M8	48	94	10	250	
78621	VRTP.125+I A-12	124	44	22	22	20	21	31	25	12	22	65	M8	48	94	10	245	
78622	VRTP.125+I A-14	124	44	22	22	20	21	31	25	14	22	65	M8	48	94	10	240	
78720	VRTP.160+I A-8	160	51	25	26	24	25	40	29	8	27	65	M8	65	185	15	363	
78721	VRTP.160+I A-14	160	51	25	26	24	25	40	29	14	27	65	M8	65	185	15	356	
78722	VRTP.160+I A-16	160	51	25	26	24	25	40	29	16	27	65	M8	65	185	15	339	
78820	VRTP.200+I A-8	200	61	28	30	28	31	50	36	8	34	80	M8	84	300	24	579	
78821	VRTP.200+I A-16	200	61	28	30	28	31	50	36	16	34	80	M8	84	300	24	552	
78823	VRTP.200+I A-20	200	61	28	30	28	31	50	36	20	34	80	M8	84	300	24	525	
78921	VRTP.250+I A-20	249	70	32	35	33	34	59	40	20	38	90	M10	105	420	28	904	
78923	VRTP.250+I A-24	249	70	32	35	33	34	59	40	24	38	90	M10	105	420	28	888	
78958	VRTP.300+I A-20	298	78	36	40	37	42	66	46	20	43	90	M10	127	480	36	1050	
78961	VRTP.300+I A-26	298	78	36	40	37	42	66	46	26	43	90	M10	123	480	36	1111	
79021	VRTP.375+I A-26	373	82	38	40	37	42	69	46	26	43	90	M10	162	480	40	1345	
78926	VRTP.250+IEL A-20	249	70	32	35	33	34	59	40	20	38	65	M10	105	420	28	914	
78928	VRTP.250+IEL A-24	249	70	32	35	33	34	59	40	24	38	65	M10	105	420	28	818	
78964	VRTP.300+IEL A-20	298	78	36	40	37	42	66	46	20	43	65	M10	127	480	36	1060	
78966	VRTP.300+IEL A-26	298	78	36	40	37	42	66	46	26	43	65	M10	127	480	36	1121	
79026	VRTP.375+IEL A-26	373	82	38	40	37	42	69	46	26	43	65	M10	162	480	40	1355	

* To order the handwheel with keyway add the index -K ex: 78411-K VRTP.80 A-8-K# See [Technical Data](#) for maximum applicable torque (C) and impact strength (L).

This product had the following design awards:



ELESA and GANTER models all rights reserved in accordance with the law. Always mention the source when reproducing our drawings.

STANDARD MACHINE ELEMENTS WORLDWIDE

X-ON Electronics

Largest Supplier of Electrical and Electronic Components

Click to view similar products for [Mounting Fixings](#) category:

Click to view products by [Elesa & Ganter](#) manufacturer:

Other Similar products are found below :

[007310](#) [007541](#) [6-141-P](#) [620HA038NF09](#) [620HA038NF11](#) [71-074914-006](#) [71-146610-6H](#) [712HA170B23128-N](#) [71-441549-19S](#) [71-490451-4H](#) [75-69211-3P](#) [75-69220-27S](#) [75-69224-5S](#) [770-006A109](#) [770-006A109R](#) [770-006A207](#) [770-006A208W1](#) [770-006A209](#) [770-006A306](#) [770-006A703W1](#) [770-006A704](#) [770-006A704W1](#) [770-006A705](#) [770-006A706](#) [770-006A706W1](#) [770-006A707](#) [770-006A709](#) [770-007A203](#) [770-007A203W1](#) [770-007A204W1](#) [770-007A207W1](#) [770-007A703](#) [770-007A704W1](#) [770-007A706](#) [770-007A707W1](#) [770-010Y208](#) [770-010Y308](#) [770-010Y705](#) [770-010Y706](#) [770-010Y707W1](#) [770-011T201](#) [770-011T203](#) [770-011T701W1](#) [770-011T702](#) [770-011T702W1](#) [770-011T703](#) [770-013210W1](#) [770-013311](#) [770-013312](#) [770-013709](#)