

## VS-09-SET-STD

Order No.: 1689145



<http://eshop.phoenixcontact.de/phoenix/treeViewClick.do?UID=1689145>

D-SUB connector set, shell size 1, IP67 degree of protection

### Commercial data

|                          |                    |
|--------------------------|--------------------|
| EAN                      | 4017918878009      |
| Pack                     | 1 pcs.             |
| Customs tariff           | 85366990           |
| Weight/Piece             | 0.0568 KG          |
| Catalog page information | Page 328 (PC-2009) |

### Product notes

WEEE/RoHS-compliant since:  
07/04/2006



<http://www.download.phoenixcontact.com>  
Please note that the data given here has been taken from the online catalog. For comprehensive information and data, please refer to the user documentation. The General Terms and Conditions of Use apply to Internet downloads.

### Technical data

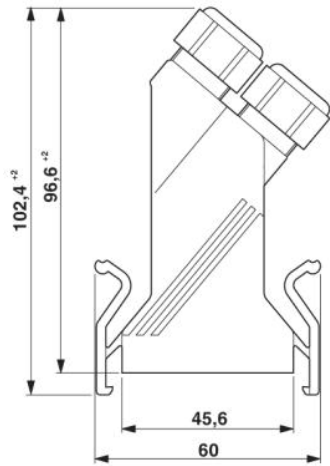
#### General characteristics

|                                    |        |
|------------------------------------|--------|
| Design                             | 09     |
| Degree of protection               | IP67   |
| Inflammability class acc. to UL 94 | V0     |
| Cable exit                         | Angled |
| Housing material                   | PA     |

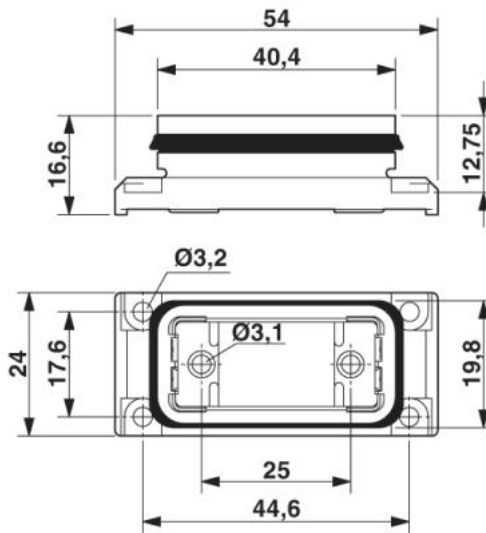
|                                 |  |
|---------------------------------|--|
| Seal material                   | Flat gasket: NBR; profile gasket: EPDM |
| Ambient temperature (operation) | -40 °C ... 80 °C                       |

**Drawings**

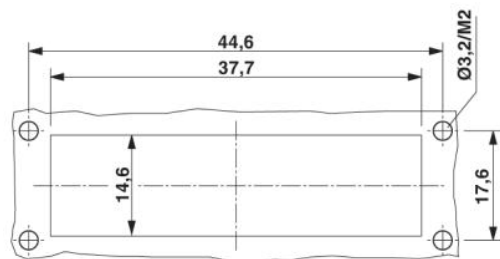
Dimensioned drawing



D-SUB sleeve housings



D-SUB panel mounting frame  
 Panel cutout



**Address**

PHOENIX CONTACT GmbH & Co. KG  
Flachsmarktstr. 8  
32825 Blomberg, Germany  
Phone +49 5235 3 00  
Fax +49 5235 3 41200  
<http://www.phoenixcontact.com>



© 2009 Phoenix Contact  
Technical modifications reserved;

## X-ON Electronics

Largest Supplier of Electrical and Electronic Components

*Click to view similar products for [D-Sub Standard Connectors](#) category:*

*Click to view products by [Phoenix Contact](#) manufacturer:*

Other Similar products are found below :

[DCM37S732N](#) [DAM15P500](#) [DEV09S364GTLF](#) [DEM09P032N](#) [DDM50P732N](#) [DAM15S332N](#) [173109-2218](#) [173109-2466](#) [173109-2436](#)  
[173109-2435](#) [56F706-005-LI](#) [56F711-015](#) [015-0341-000](#) [015-0372-008](#) [015-8544-011](#) [017041-0005](#) [020419-0104](#) [012-0515-000](#) [012-9507-](#)  
[034](#) [012-9507-114](#) [012-9534-001](#) [020745-0008](#) [609-25P](#) [M24308/2-23Z](#) [M243082310F](#) [M243082410F](#) [M243082411F](#) [M24308/4-21](#)  
[CT1A18-11PSA206](#) [CT1N36-5SC](#) [CT2-16S-17PS](#) [CT2-20-15PCAU](#) [CT2-24-12PS](#) [CT2-24-28PSF127A206](#) [CT2-32-9PC](#) [CT6F9767-14-4-](#)  
[14S-5PC](#) [CT6FA10SL-4PS](#) [CT7-18-10SC](#) [CT7-18-10SCAU](#) [CT7-18-12SCAU](#) [CT7-18-1PC](#) [CT7-18-1PCAU](#) [CT7-18-21SCAU](#) [M83513/01-](#)  
[FC](#) [M83723/76W24619 L/C](#) [M85049/48-3-2F](#) [69001-865](#) [6STD09PCM99B70X](#) [6STD09SCM99B30X](#) [6STD09SCT99S40X](#)