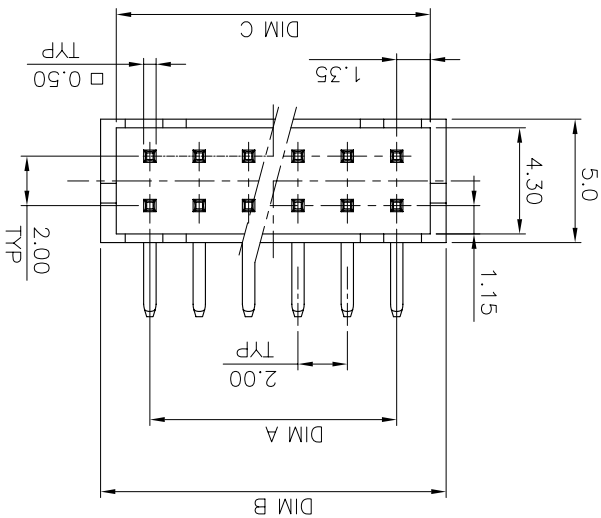
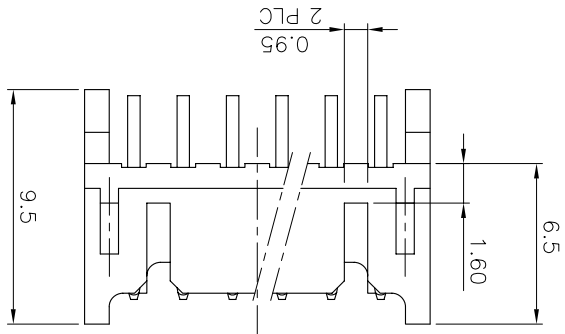
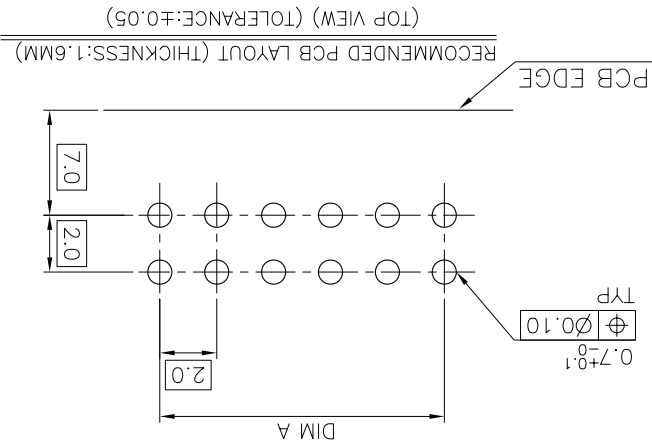
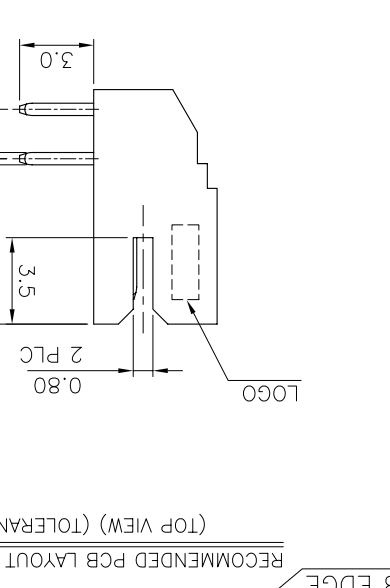


1. MATERIAL: THERMOPLASTIC UL94V-0, NATURAL COLOR.
- CONTACT: BRASS, THICKNESS=0.20MM.
2. FINISH: 30U" MIN. NICKEL UNDERPLATED OVER ALL. CONTACT: 100U" MIN. TIN PLATED ON CONTACT AREA,
3. WAVE SOLDER CAPABLE TO 265°C PER TEST SPEC. 109-202, CONDITION B.



SEE NOTE	MATERIAL
SEE NOTE	FINISH
DIMENSIONS: MM	
TOLERANCES UNLESS OTHERWISE SPECIFIED:	
0 PLC	±
1 PLC	± 0.3
2 PLC	± 0.2
3 PLC	± 0.1
4 PLC	± 0.1
ANGLES	± 0.5°



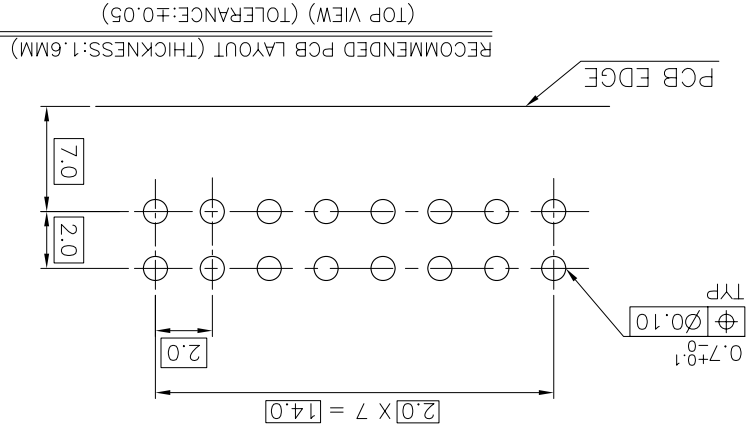
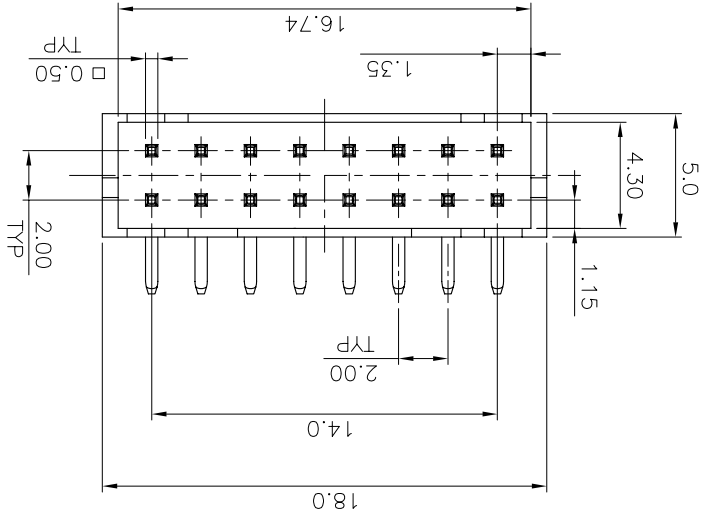
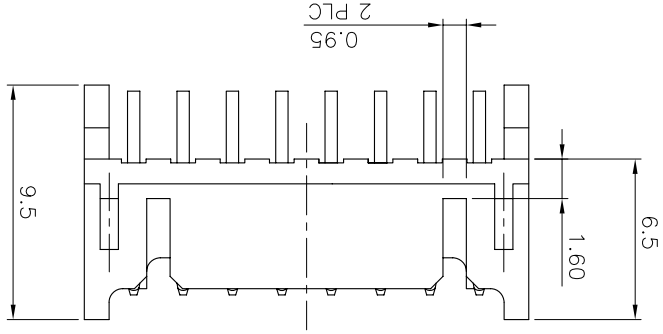
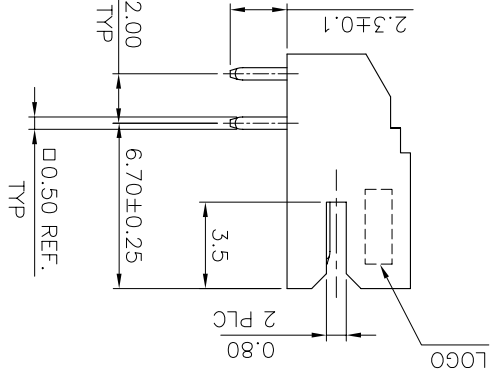
THIS DRAWING IS A CONTROLLED DOCUMENT.	
DWN: J. LEE	24OCT2005
CHK: S. HOU	24OCT2005
APVD: W.J. KE	24OCT2005
NAME: TE Connectivity	
PRODUCT SPEC: 108-57217	
QUALIFICATION TEST REPORT: 501-57218	
WEIGHT: - GRAMS	
SIZE: A3	00779
CAGE CODE: 1470108	
DRAWING NO: 1470108	
SCALE: -	
SHEET: 1 of 3	
REV: F2	

DIM C	DIM B	DIM A	POS.	PART NUMBER
6.74	8.0	4.0	6	1470108-6
8.74	10.0	6.0	8	1470108-8
10.74	12.0	8.0	10	1-1470108-0
12.74	14.0	10.0	12	1-1470108-2
14.74	16.0	12.0	14	1-1470108-4
16.74	18.0	14.0	16	1-1470108-6
18.74	20.0	16.0	18	1-1470108-8
20.74	22.0	18.0	20	2-1470108-0
22.74	24.0	20.0	22	2-1470108-2
24.74	26.0	22.0	24	2-1470108-4
26.74	28.0	24.0	26	2-1470108-6
28.74	30.0	26.0	28	2-1470108-8
30.74	32.0	28.0	30	3-1470108-0
32.74	34.0	30.0	32	3-1470108-2

LOC: DW	DIST: -	P: F2	REVISIONS
DATE: -	DWN: JL	APVD: WK	
DESCRIPTION: REVISED (ECR-11-009005)	DATE: 04MAY11		

CUSTOMER DRAWING		SCALE		SHEET		REV	
A3		00779		1470108		2 of 3	
WEIGHT		DRAWING NO		RESTRICTED TO			
PRODUCT SPEC		APPLICATION SPEC		TOLERANCES UNLESS OTHERWISE SPECIFIED:		SEE SHEET 1.	
APVD		CHK		DWN		THIS DRAWING IS A CONTROLLED DOCUMENT.	
NAME		TE Connectivity		STC		2.0MM PITCH HEADER, DIP, RIGHT ANGLE TYPE	

16	4-1470108-6
POS. PART NUMBER	



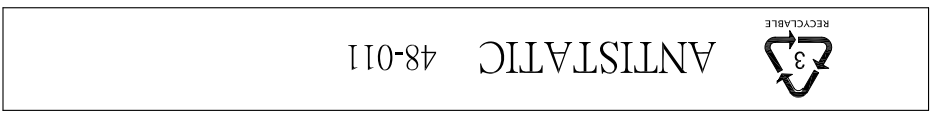
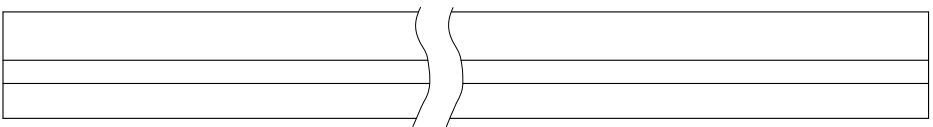
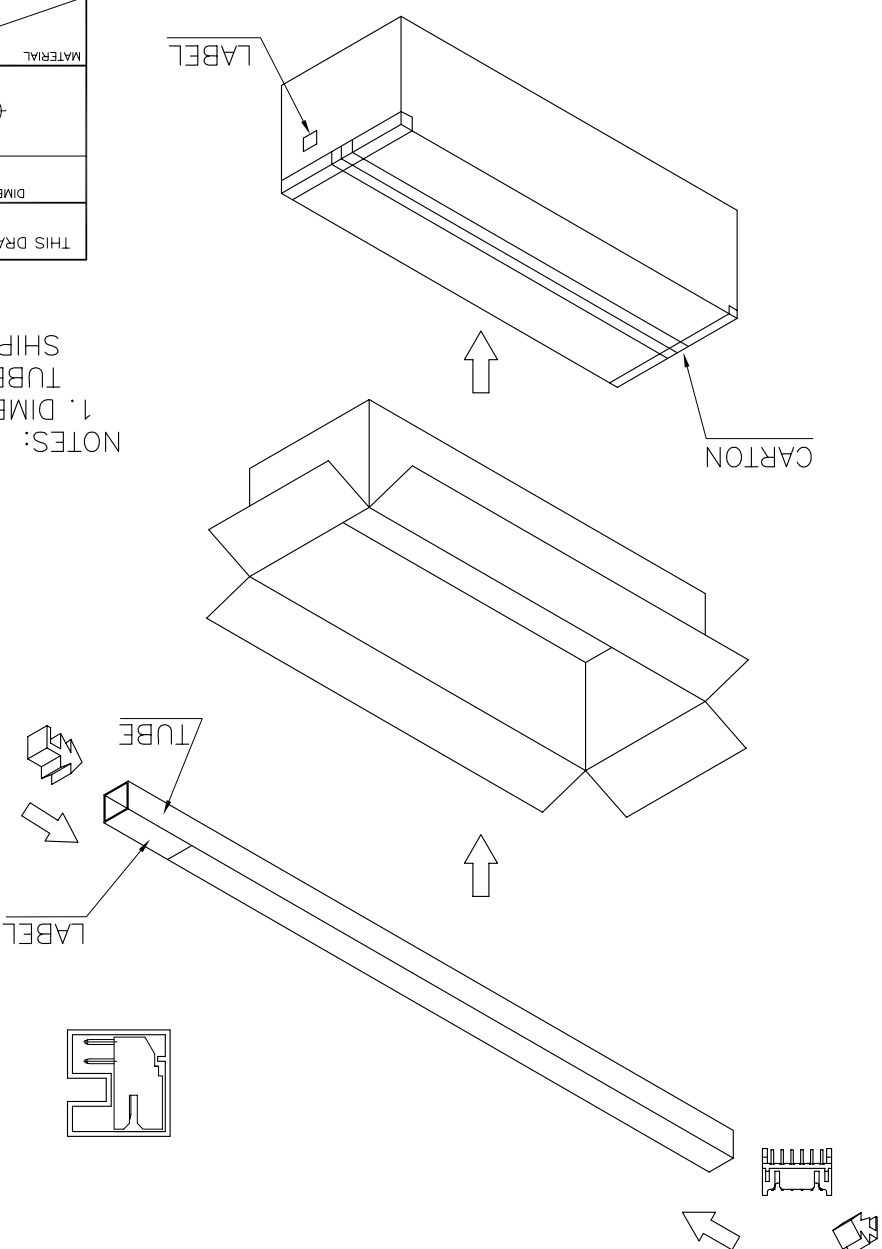
LOC	DW	DIST	
P	LTR	DESCRIPTION	DATE
SEE SHEET 1.		DWN	APVD

THIS DRAWING IS A CONTROLLED DOCUMENT.

DWN	CHK	APVD	NAME	TE Connectivity	
PRODUCT SPEC	2.0MM PITCH HEADER, DIP, RIGHT ANGLE TYPE				
APPLICATION SPEC	SIZE	CAGE CODE	DRAWING NO	RESTRICTED TO	
WEIGHT	A3	00779	1470108		
MATERIAL	FINISH	CUSTOMER DRAWING			
0 PLC	4 ANGLES	SCALE	SHEET	3 of 3	REV F2

NOTES:
 1. DIMENSION :
 TUBE : L=600, W=10, H=10
 SHIPPING CARTON : L=615, W=110, H=100

APQ	PPQ	(PCS/CARTON)	(PCS/TUBE)	PART NUMBER
1,890	30	1,890	30	4-1470108-6
1,008	16	1,008	16	3-1470108-2
1,008	16	1,008	16	3-1470108-0
1,134	18	1,134	18	2-1470108-8
1,260	20	1,260	20	2-1470108-6
1,260	20	1,260	20	2-1470108-4
1,386	22	1,386	22	2-1470108-2
1,575	25	1,575	25	2-1470108-0
1,764	28	1,764	28	1-1470108-8
1,890	30	1,890	30	1-1470108-6
2,205	35	2,205	35	1-1470108-4
2,520	40	2,520	40	1-1470108-2
2,898	46	2,898	46	1-1470108-0
3,528	56	3,528	56	1470108-8
4,410	70	4,410	70	1470108-6



LOC	DW	DIST	REV	DATE	DESCRIPTION	DATE	DWN	APVD
					SEE SHEET 1.			

1 2 3 4

X-ON Electronics

Largest Supplier of Electrical and Electronic Components

Click to view similar products for [Headers & Wire Housings](#) category:

Click to view products by [TE Connectivity](#) manufacturer:

Other Similar products are found below :

[95000-104TRLF](#) [10135584-644402LF](#) [DF62W-EP2022PCA](#) [95000-106TRLF](#) [DF62W-2022SCA](#) [DF62W-EP2022PC](#) [2203348](#) [DF62W-2022SC](#) [1084018](#) [1029039](#) [1084017](#) [802-10-012-10-002000](#) [1112640](#) [1112639](#) [891-007-9SS-BST1T](#) [000-34000](#) [0008550134](#) [0009482033](#) [0009507031](#) [57102-F02-18ULF](#) [57102-S06-03LF](#) [57202-S52-04LF](#) [PCN6-15S-2.5E](#) [0039019024](#) [58102-G61-06LF](#) [582553-1](#) [0009485154](#) [0009508121](#) [0022285053](#) [0050291907](#) [018731A](#) [LY20-4P-DT1-P1E-BR](#) [02.125.8002.8](#) [60101931](#) [60598-1 \(Cut Strip\)](#) [M1625-3R/100](#) [61062-3](#) [61082-181009](#) [CSU011177004](#) [636-1427](#) [638009-1](#) [641938-9](#) [641991-4](#) [644168-1](#) [644827-2](#) [647662-1](#) [65039-019ELF](#) [65692-001LF](#) [65781-018](#) [65781-047](#)