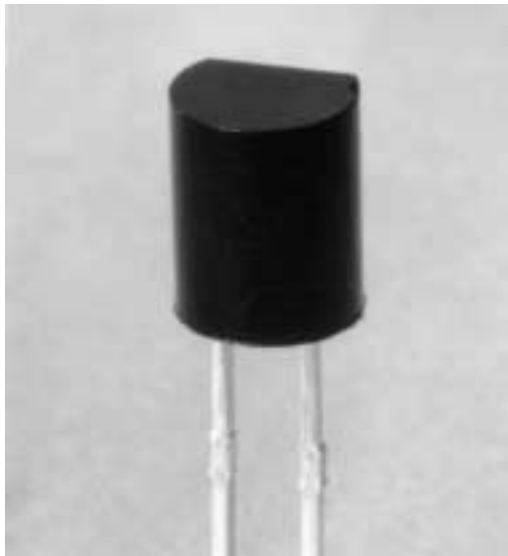
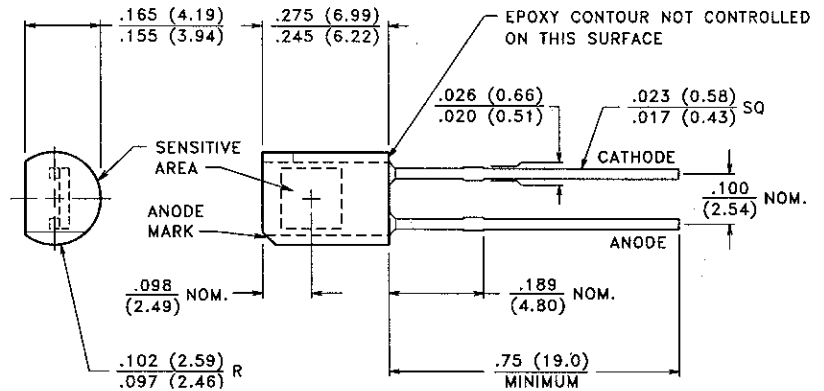


Alternate Source/ Second Source Photodiodes

VTD205H (SFH205 INDUSTRY EQUIVALENT)



PACKAGE DIMENSIONS inch (mm)



CASE 60 TO-92 TYPE (ROUND LENS)
CHIP ACTIVE AREA: .011 in² (7.41 mm²)

PRODUCT DESCRIPTION

Large area planar silicon photodiode in a cast epoxy sidelooker, similar in outline to the TO-92 package. The package material filters out all visible light but passes infrared. These diodes exhibit low dark current under reverse bias and fast speed of response.

ABSOLUTE MAXIMUM RATINGS

Storage Temperature: -40°C to 100°C
Operating Temperature: -40°C to 100°C

ELECTRO-OPTICAL CHARACTERISTICS @ 25°C

| SYMBOL | CHARACTERISTIC | TEST CONDITIONS | VTD205H | | | UNITS |
|-------------------|----------------------------------|------------------------------------|---------|------|------|---------|
| | | | Min. | Typ. | Max. | |
| I_{SC} | Short Circuit Current | 940 nm, H = 0.5 mW/cm ² | 15 | 25 | | μA |
| TC I_{SC} | I_{SC} Temperature Coefficient | 2856 K | | .20 | | %/°C |
| V_{OC} | Open Circuit Voltage | 940 nm, H = 0.5 mW/cm ² | 250 | 350 | | mV |
| TC V_{OC} | V_{OC} Temperature Coefficient | 2856 K | | -2.6 | | mV/°C |
| I_D | Dark Current | H = 0, V_R = 10 V | | 2 | 30 | nA |
| C_J | Junction Capacitance | H = 0, V_R = 0 v, 1 MHz | | 72 | | pF |
| t_R/t_F | Rise/Fall Time @ R_L = 50Ω | V_R = 5 V, 850 nm | | 20 | | nsec |
| S_R | Sensitivity | @ Peak | | 0.6 | | A/W |
| λ_{range} | Spectral Application Range | | 800 | | 1100 | nm |
| λ_p | Spectral Response - Peak | | | 925 | | nm |
| V_{BR} | Breakdown Voltage | | 20 | 50 | | V |
| $\theta_{1/2}$ | Angular Resp.-50% Resp. Pt. | | | ±60 | | Degrees |

X-ON Electronics

Largest Supplier of Electrical and Electronic Components

Click to view similar products for [Photodiodes](#) category:

Click to view products by [Excelitas](#) manufacturer:

Other Similar products are found below :

[LTR-526AD](#) [LV0221CS-TLM-H](#) [OED-SP-7L](#) [LTR-536AB](#) [LTR-743DBM1-TA](#) [LV0223CV-TLM-H](#) [67-21SYGC-S349-TR8](#) [SAH500M1](#)
[SFH 2200 A01](#) [BPW 34 S E9601](#) [SFH 2713](#) [SFH 2703](#) [LTR-546AD](#) [BP 104 SR-Z](#) [BPV23FL](#) [BPW 34 BS-Z](#) [BPW 34 FAS](#) [BPW 34 FS](#)
[IG17X1000S4I](#) [IG22X250S4I](#) [VTB9413BH](#) [VTD205H](#) [VTD205KH](#) [VTP1220FBH](#) [VTP1232FH](#) [VTP4085H](#) [1541201EEA400](#) [SFH 2400](#)
[OP913WSL](#) [OP955](#) [OPR5913](#) [PD15-21B/TR8](#) [PD3122FE000F](#) [PD93-21C/TR8](#) [LTR-536AD](#) [VTP8651H](#) [VTD206KH](#) [VTB1013H](#)
[BPV23NF](#) [OP905](#) [LTR-516AD](#) [BPW 34 FS-Z](#) [VTD34FH](#) [QSB34CGR](#) [SFH 2500 FA](#) [3001032](#) [3001048](#) [ARRAYC-60035-64P-PCB](#) [SFH](#)
[2240](#) [OPR2100T](#)