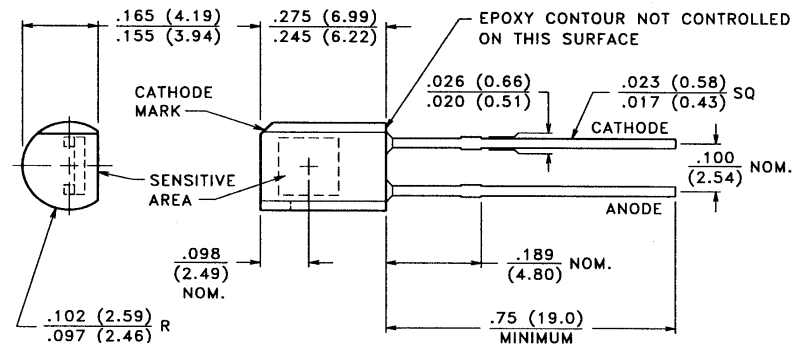


PACKAGE DIMENSIONS inch (mm)



CASE 61 TO-92 TYPE (FLAT LENS)
CHIP ACTIVE AREA: .011 in² (7.41 mm²)

PRODUCT DESCRIPTION

Large area planar silicon photodiode in a cast epoxy sidelooker, similar in outline to the TO-92 package. The package material filters out all visible light but passes infrared. These diodes exhibit low dark current under reverse bias and fast speed of response.

ABSOLUTE MAXIMUM RATINGS

Storage Temperature: -40°C to 100°C
Operating Temperature: -40°C to 100°C

ELECTRO-OPTICAL CHARACTERISTICS @ 25°C

SYMBOL	CHARACTERISTIC	TEST CONDITIONS	VTD206H			UNITS
			Min.	Typ.	Max.	
I_{SC}	Short Circuit Current	940 nm, H = 0.5 mW/cm ²	15	25		μA
TC I_{SC}	I_{SC} Temperature Coefficient	2856 K		.20		%/°C
V_{OC}	Open Circuit Voltage	940 nm, H = 0.5 mW/cm ²	250	350		mV
TC V_{OC}	V_{OC} Temperature Coefficient	2856 K		-2.6		mV/°C
I_D	Dark Current	H = 0, V_R = 10 V		2	30	nA
C_J	Junction Capacitance	H = 0, V_R = 0 V, 1 MHz		72		pF
t_R/t_F	Rise/Fall Time @ R_L = 50Ω	V_R = 5 V, 850 nm		20		nsec
S_R	Sensitivity	@ Peak		0.6		A/W
λ_{range}	Spectral Application Range		750		1100	nm
λ_p	Spectral Response - Peak			925		nm
V_{BR}	Breakdown Voltage		20	50		V
$\theta_{1/2}$	Angular Resp.-50% Resp. Pt.			±60		Degrees

X-ON Electronics

Largest Supplier of Electrical and Electronic Components

Click to view similar products for [Photodiodes](#) category:

Click to view products by [Excelitas](#) manufacturer:

Other Similar products are found below :

[LTR-526AD](#) [LV0221CS-TLM-H](#) [OED-SP-7L](#) [LTR-536AB](#) [LTR-743DBM1-TA](#) [LV0223CV-TLM-H](#) [67-21SYGC-S349-TR8](#) [SAH500M1](#)
[SFH 2200 A01](#) [BPW 34 S E9601](#) [SFH 2713](#) [SFH 2703](#) [LTR-546AD](#) [BP 104 SR-Z](#) [BPV23FL](#) [BPW 34 BS-Z](#) [BPW 34 FAS](#) [BPW 34 FS](#)
[IG17X1000S4I](#) [IG22X250S4I](#) [VTB9413BH](#) [VTD205H](#) [VTD205KH](#) [VTP1220FBH](#) [VTP1232FH](#) [VTP4085H](#) [1541201EEA400](#) [SFH 2400](#)
[OP913WSL](#) [OP955](#) [OPR5913](#) [PD15-21B/TR8](#) [PD3122FE000F](#) [PD93-21C/TR8](#) [LTR-536AD](#) [VTP8651H](#) [VTD206KH](#) [VTB1013H](#)
[BPV23NF](#) [OP905](#) [LTR-516AD](#) [BPW 34 FS-Z](#) [VTD34FH](#) [QSB34CGR](#) [SFH 2500 FA](#) [3001032](#) [3001048](#) [ARRAYC-60035-64P-PCB](#) [SFH](#)
[2240](#) [OPR2100T](#)