

CERTIFICATION
OF THE QUALITY
SYSTEM OF THE
COMPANIES

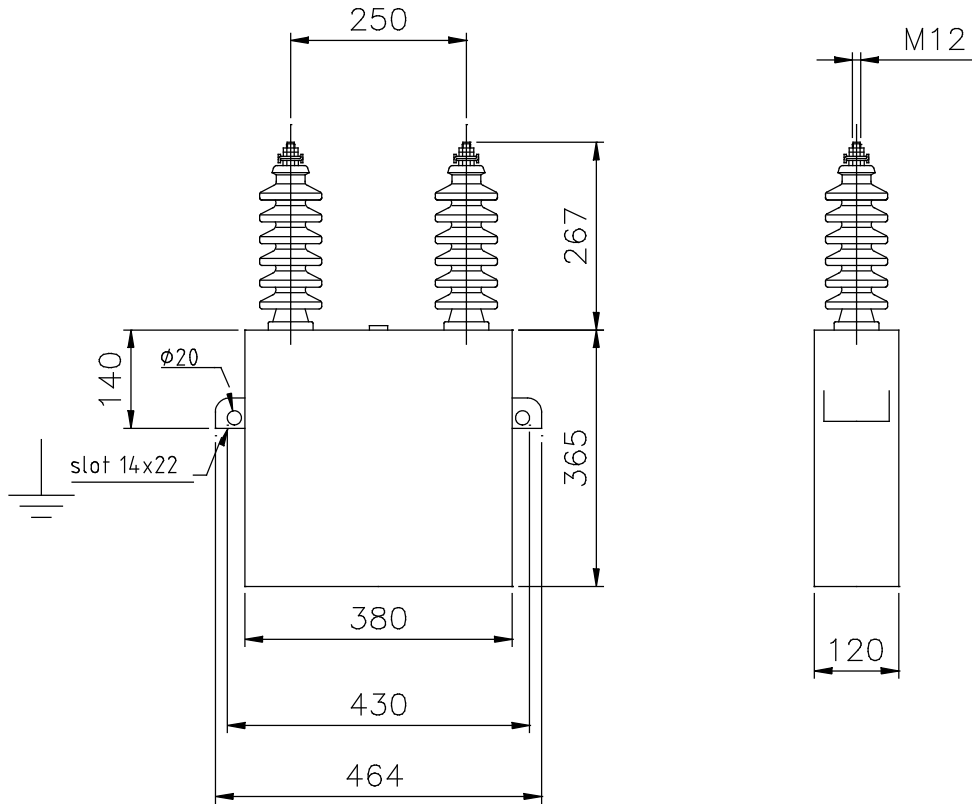


UNI EN 29001
ISO 9001

Member of



The reproduction and/or divulgation of this drawing or its included informations is strictly prohibited unless authorized by the owning company DUCATI S.p.A.
E' vietata la riproduzione e/o la divulgazione di questo disegno unitamente alle informazioni in esso contenute senza l'autorizzazione della DUCATI S.p.A.



Qn=100kvar Un=6300V Fn=50Hz Cn=8.02uF -5+10% In=16A

INSULATION LEVEL / LIVELLO DI ISOLAMENTO: 28/75 kV
 CREEPAGE DISTANCE / DISTANZA SUPERFICIALE ISOL. : ≥ 300 mm
 DISCHARGE DEVICE / RES. DI SCARICA: 75V/10min
 TEMP. CLASS / CLASSE DI TEMP. : -25/+50°C
 DIELECTRIC / DIELETTRICO : ALL-FILM
 INSTALLATION / INSTALLAZIONE : OUTDOOR
 INTERNAL FUSES / FUSIBILI INTERNI : NO
 CASE MATERIAL / MATERIALE CUSTODIA : Mild steel
 IEC : 871

Ed.		Descrizione/Description				Data/Date Firma/Sign.	
MODIFICHE/REVISIONS							
DUCATI energia s.p.a.	mm	TOLL. QUOTE LIBERE (TOLERANCE RATE) UNI-ISO 2768-m	TOLL. QUOTE LIBERE ANG. (ANG. TOLERANCE RATE)	SCALA/SCALE 1:10	DATA/DATE 11.01.11	FIRMA/DRAWN Fornacciari	VISTO/CHECKED
	OGGETTO/PART NAME POWER CAPACITOR CONDENSATORE DI RIFASAMENTO						CODICE/PART NR. 415620081 EDIZ./EDIT.

X-ON Electronics

Largest Supplier of Electrical and Electronic Components

Click to view similar products for [Speciality Ceramic Capacitors](#) category:

Click to view products by [Ducati Energia](#) manufacturer:

Other Similar products are found below :

[416462360](#) [275.186-516600/221K02](#) [275.258-411000/221K02](#) [715C40KTD20](#) [715C30KTT59](#) [715C30KTD27](#) [715C20KTD40](#)
[715C20KTD14](#) [715C20KTD10](#) [715C30KTT40](#) [715C30KTT94](#) [118FBB1R0B100TT](#) [118FCA1R9C100TT](#) [CSM-50-40X40X4-G-3R3-D](#)
[416461020](#) [416461100](#) [416461150](#) [416463050](#) [416463100](#) [C20ALGR6100AASK](#) [KJF-2.50/525](#) [KJF-4.82/480](#) [KTF-1.5/400](#) [KTF-2.0/440](#)
[KTF-2.5/440](#) [415620081](#) [416461050](#) [416461200](#) [416463260](#) [416466150](#) [FD-22AU](#) [275.100-10180](#) [275.278-513700/221K02](#)
[B25669A3796J375](#) [C44HKGR6150AASJ](#) [275.256-508300/221K02](#) [275.525-402800](#) [316523360](#) [316523370](#) [415047015](#) [415047025](#)
[415047225](#) [416300564](#) [416305664](#) [416306264](#) [416461360](#) [416463263](#) [416463360](#) [416463363](#) [416532350](#)