

MICRO SWITCH

FREEPORT, ILLINOIS, U.S.A.
A DIVISION OF HONEYWELL

FED. MFG. CODE 91929

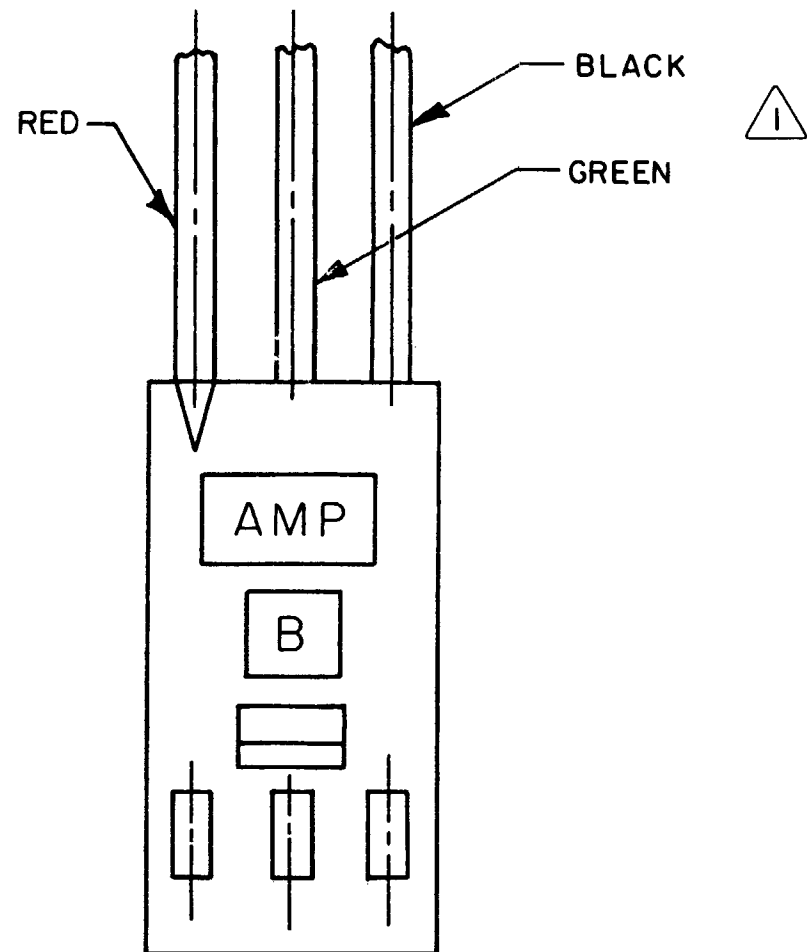
**AMP
CONNECTOR**

CATALOG LISTING

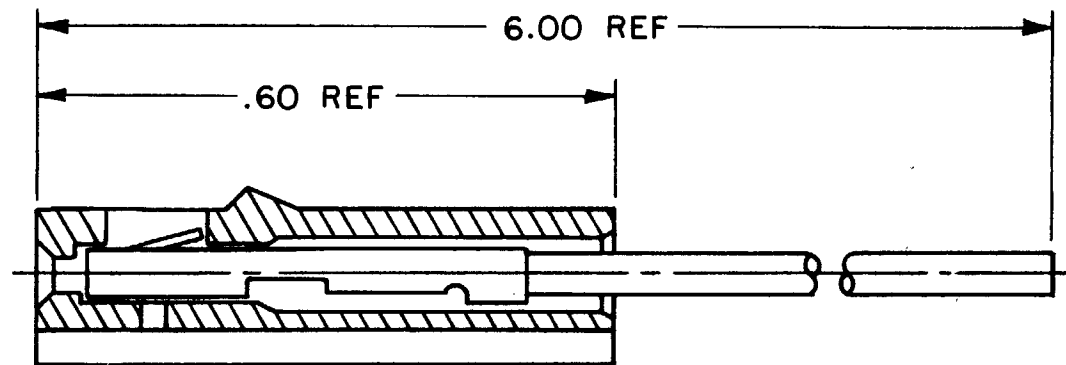
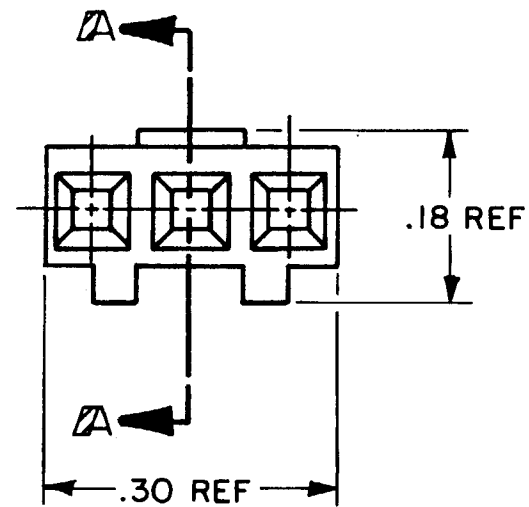
VX1A-01

THIS DRAWING COVERS A PROPRIETARY ITEM AND IS THE PROPERTY OF MICRO SWITCH, A DIVISION OF HONEYWELL. THIS DRAWING IS NOT TO BE COPIED OR USED WITHOUT THE APPROVAL OF MICRO SWITCH.

DRAWING NUMBER: **VX1A-01**
 ISSUE: **I**
 RELEASE NO.: **PR-13102**
 CHECK: **WJM**
 DATE: **28 AUG 84**
 DRAWN: **WJM**
 FO-52854-2



NOTE
 ⚠ LEADWIRES ARE #24 GAUGE PER UL LISTING #JZ 275613



SECTION A-A

THIRD ANGLE PROJECTION

SCALE 5:1

DO NOT SCALE PRINT

TOLERANCES

APPLY TO DESIGN UNITS. CONVERSIONS ARE ONLY FOR REFERENCE UNLESS NOTED. TOLERANCES ARE ±

	DIM.	TOL.	DIM.	TOL.
	in.	mil/in.	in.	mil/in.
NO PLACES	X	17/64	X	0.31/03
ONE PLACE	X.X	0.41/015	X.X	0.38/015
TWO PLACES	X.XX	0.157/06	X.XX	0.157/005
THREE PLACES	X.XXX		X.XXX	
ANGLES				

DESIGN UNITS: S.W.E.T.C. U.S. CUSTOMARY

WEIGHT

X-ON Electronics

Largest Supplier of Electrical and Electronic Components

Click to view similar products for [Basic / Snap Action Switches](#) category:

Click to view products by [Honeywell](#) manufacturer:

Other Similar products are found below :

[83228001](#) [01.098.1358.1](#) [602EN1-6B](#) [602EN532](#) [602EN535-RB](#) [602HE5-RB1](#) [604HE162](#) [604HE223-6B](#) [624HE17-RB](#) [6HM89](#) [6PA78-JM](#)
[6SE1](#) [6SX1-H58](#) [70500840](#) [MBD5B1](#) [MBH2731](#) [73-316-0012](#) [79211759](#) [79211923](#) [79218589](#) [7AS12](#) [ML-1155](#) [ML-1376](#) [831010C3.0](#)
[831060C3.TL](#) [831090C2.EL](#) [83131904](#) [84212012](#) [8AS239](#) [8HM73-3](#) [903VB1-PG](#) [914CE1-6G](#) [PL-100](#) [11SM1077-H4](#) [11SM1077-H58](#)
[11SM1-TN107](#) [11SM405](#) [11SM703-T](#) [11SM8423-H2](#) [11SX37-T](#) [11SX48-H58](#) [11SX55-H58](#) [11SM2442-T](#) [11SM76-T](#) [11SM77-H58](#)
[11SM77-T](#) [11SM863-T](#) [11SM866](#) [11SX47-H58](#) [A7CN-1M-1-LEFT](#)