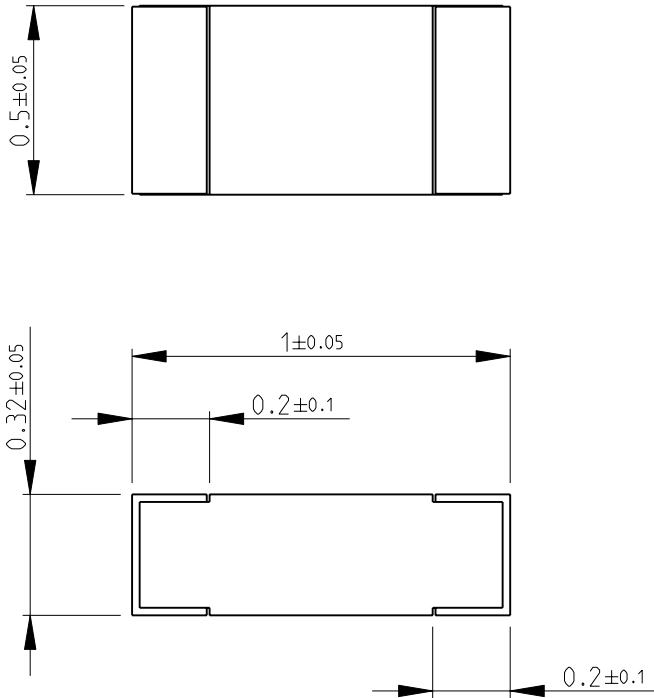
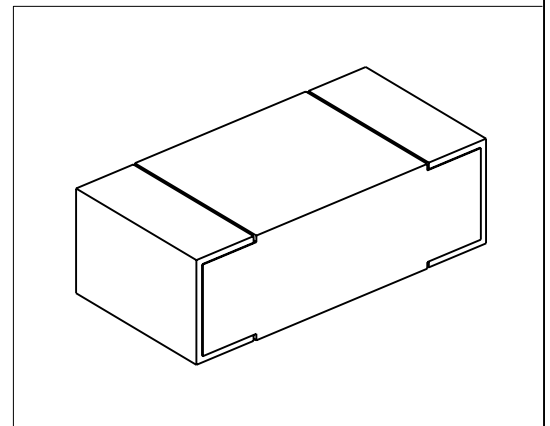


| LOC | DIST | REVISIONS   |             |           |         |
|-----|------|-------------|-------------|-----------|---------|
| P   | LTR  | DESCRIPTION | DATE        | DWN       | APVD    |
| E   | B    | BA          | NEW RELEASE | 14-NOV-08 | SM St.P |

FOR FURTHER INFORMATION SEE DATA SHEET FOR  
 3640 SERIES-HIGH FREQUENCY INDUCTORS SMD



RoHS Compliant



2008

RELEASED FOR PUBLICATION

THIS DRAWING IS UNPUBLISHED.

BY TYCO ELECTRONICS CORPORATION. ALL RIGHTS RESERVED.



|  |                   |           |  |            |           |               |
|--|-------------------|-----------|--|------------|-----------|---------------|
| DIMENSIONS:<br>mm                      | DWN<br>SUBHASH.M  | 14-NOV-08 | MATERIAL   | -          | FINISH    | -             |
|  | CHK<br>PRAKASH.S  | 14-NOV-08 | Tyco Electronics Corporation<br>Dorcan, Swindon, SN3 5HH |            |           |               |
| TOLERANCES UNLESS OTHERWISE SPECIFIED: | APVD<br>STEPHEN.P | 14-NOV-08 |  |            |           |               |
| 0 PLC $\pm 0.2$                        | PRODUCT SPEC      | -         | NAME<br>HIGH FREQUENCY INDUCTORS SMD<br>SERIES 3640 0402 |            |           |               |
| 1 PLC $\pm 0.1$                        | APPLICATION SPEC  | -         |  |            |           |               |
| 2 PLC $\pm$                            | WEIGHT            | -         | SIZE   | A 4        | CAGE CODE | 00779         |
| 3 PLC $\pm$                            |                   |           | DRAWING NO   | C= 1624108 |           | RESTRICTED TO |
| 4 PLC $\pm$                            |                   |           |  |            |           | -             |
| ANGLES $\pm 5^\circ$                   |                   |           |  |            |           |               |
|  | CUSTOMER DRAWING  |           | SCALE  | 50:1       | SHEET     | 1 OF 1        |
|  |                   |           |  |            |           | REV BA        |

## X-ON Electronics

Largest Supplier of Electrical and Electronic Components

*Click to view similar products for [Fixed Inductors](#) category:*

*Click to view products by [TE Connectivity](#) manufacturer:*

Other Similar products are found below :

[MLZ1608M6R8WTD25](#) [MLZ1608N6R8LT000](#) [MLZ1608N3R3LTD25](#) [MLZ1608N3R3LT000](#) [MLZ1608N150LT000](#)

[MLZ1608M150WTD25](#) [MLZ1608M3R3WTD25](#) [MLZ1608M3R3WT000](#) [MLZ1608M150WT000](#) [MLZ1608A1R5WT000](#)

[MLZ1608N1R5LT000](#) [B82432C1333K000](#) [PCMB053T-1R0MS](#) [PCMB053T-1R5MS](#) [PCMB104T-1R5MS](#) [CR32NP-100KC](#) [CR32NP-](#)

[151KC](#) [CR32NP-180KC](#) [CR32NP-181KC](#) [CR32NP-1R5MC](#) [CR32NP-390KC](#) [CR32NP-3R9MC](#) [CR32NP-680KC](#) [CR32NP-820KC](#)

[CR32NP-8R2MC](#) [CR43NP-390KC](#) [CR43NP-560KC](#) [CR43NP-680KC](#) [CR54NP-181KC](#) [CR54NP-470LC](#) [CR54NP-820KC](#) [CR54NP-8R5MC](#)

[MGDQ4-00004-P](#) [MGDU1-00016-P](#) [MHL1ECTTP18NJ](#) [MHL1JCTTD12NJ](#) [PE-51506NL](#) [PE-53601NL](#) [PE-53630NL](#) [PE-53824SNLT](#) [PE-](#)

[62892NL](#) [PE-92100NL](#) [PG0434.801NLT](#) [PG0936.113NLT](#) [PM06-2N7](#) [PM06-39NJ](#) [HC2LP-R47-R](#) [HC2-R47-R](#) [HC3-2R2-R](#) [HC8-1R2-R](#)