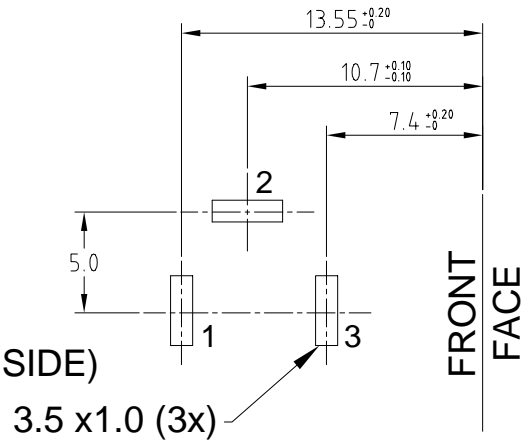


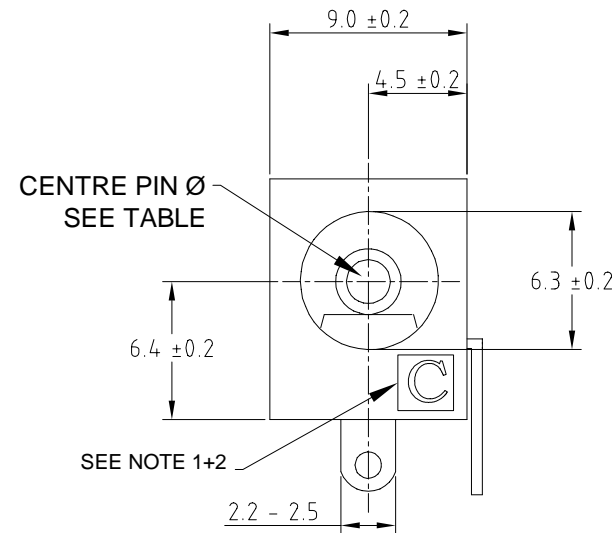
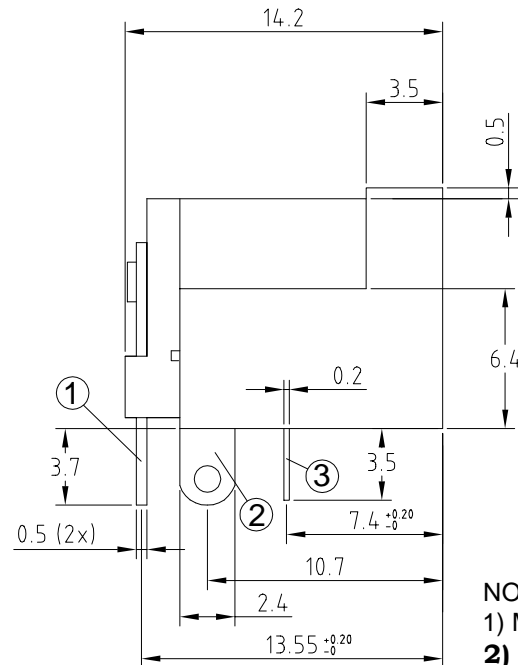
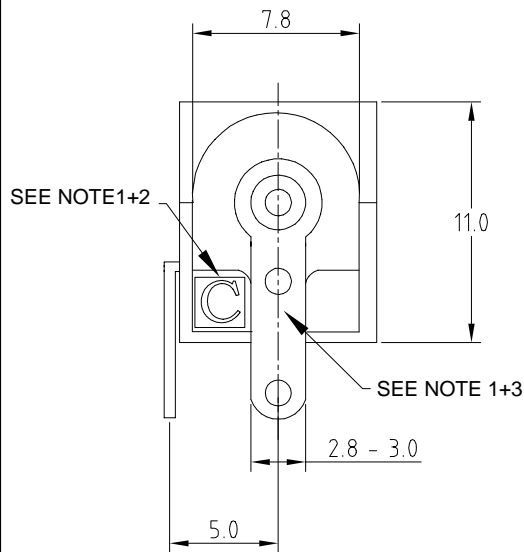
PART NO.	FC68148	FC68149
MODEL NO.	DC-10A	DC-10B
CENTRE PIN Ø	Ø2.0	Ø2.5
SCEMATIC		

ISS.	AMEND	DATE
1	REDRAWN	29/05/90
2	ERROR CORRECTED	01/11/90
3	MATERIAL PBT	14/02/91
4	P/Nos ADDED	17/02/94
5	RoHS+PC LAYOUT	24/07/09
6	PIN NUMBERS ADDED	20/08/12
7	MULTIPLE TOOL INFO	21/02/13
8	PIN OUT TOL ADD	04/03/13

PC LAYOUT
(COMPONENT / TOP SIDE)



RATED 12V DC - 5A (60VA)



NOTES

- 1) MULTIPLE TOOLS ARE USED FOR THIS PART.
 - 2) **CLIFF** LOGO CAN BE ON FRONT OR REAR AS SHOWN.
 - 3) REAR CONTACT APPEARANCE MAY CHANGE.
 - 4) PIN LAYOUT APPLIES TO ALL PRODUCTS.
- SEE IMAGES FOR VARIATIONS.

RoHS
COMPLIANT

TOLERANCE
 NO DEC. PLACE ± 0.20
 1 DEC. PLACE ± 0.15
 2 DEC. PLACE ± 0.10
 HOLE Ø ± 0.10
 ANGLES ± 1/2°
 UNLESS OTHERWISE STATED

Cliff Electronic Components Ltd.

DIMENSIONS IN MILLIMETERS UNLESS OTHERWISE STATED. WORK TO DIMENSIONS. REMOVE ALL BURRS. IF IN DOUBT ASK.

3rd ANGLE PROJECTION:



DO NOT SCALE

76 Holmethorpe Avenue, Holmethorpe Industrial Estate,
Redhill, Surrey, RH1 2PF, England, UK
Tel: 01737-771375 Fax: 01737-766012 Website: www.cliffuk.co.uk

MATERIAL: 20% GF PBT / BRASS

TITLE: DC POWER SOCKET DC10

FINISH: AS MOULDED / Ni / Ag PLATED

DRAWN: C.A.M.J.

APPROVED: R.W.T.

DRWG. No. **FC68148**

FORM: A4DRWGH

THE CONTENTS OF THIS DOCUMENT MUST NOT BE COPIED OR DISCLOSED TO A 3rd PARTY WITHOUT WRITTEN PERMISSION OF CLIFF UK. © 1990

X-ON Electronics

Largest Supplier of Electrical and Electronic Components

Click to view similar products for [DC Power Connectors](#) category:

Click to view products by [Cliff](#) manufacturer:

Other Similar products are found below :

[1600206-1](#) [163-0301-EX](#) [163-0302](#) [163-0308-EX](#) [163-0310-EX](#) [163-1061-EX](#) [163-1100-EX](#) [163-4024](#) [163-4117-EX](#) [163-4118-EX](#) [163-5005-E](#) [163-7421](#) [163-MJ22-EX](#) [171-0721-EX](#) [171-0725-EX](#) [171-3118-EX](#) [171-3210-E](#) [171-3221-EX](#) [171-3222-EX](#) [171-A1326-EX](#) [173-23507-ST-EX](#) [173-5521TIP-EX](#) [173-6330TIP-EX](#) [KLDVX-SMT-02-ATR](#) [KLDX-0201-AHT-1](#) [KLDX-0202-AHT](#) [KLDX-SMT-0202-BP](#) [KLDX-SMT-0202-BPTR](#) [163-0179-EX](#) [163-0307-E](#) [163-0309-EX](#) [163-4007-EX](#) [163-4015-EX](#) [163-4025](#) [163-4119-E](#) [163-4303-E](#) [16PJ101-EX](#) [171-0702-EX](#) [171-0722-E](#) [171-0726-EX](#) [171-2122-EX](#) [171-3216-EX](#) [171-3218-EX](#) [171-3219-EX](#) [171-3220-EX](#) [171-7391](#) [173-3413-ST-EX](#) [173-4017-ST-EX](#) [RAPCBRK](#) [K596](#)