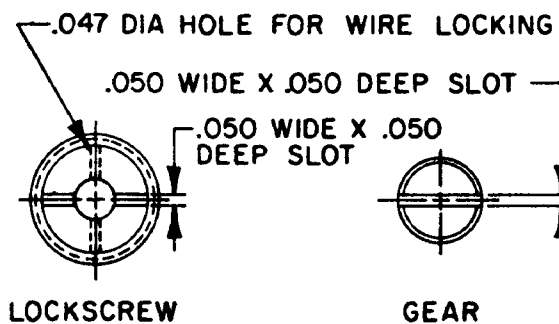
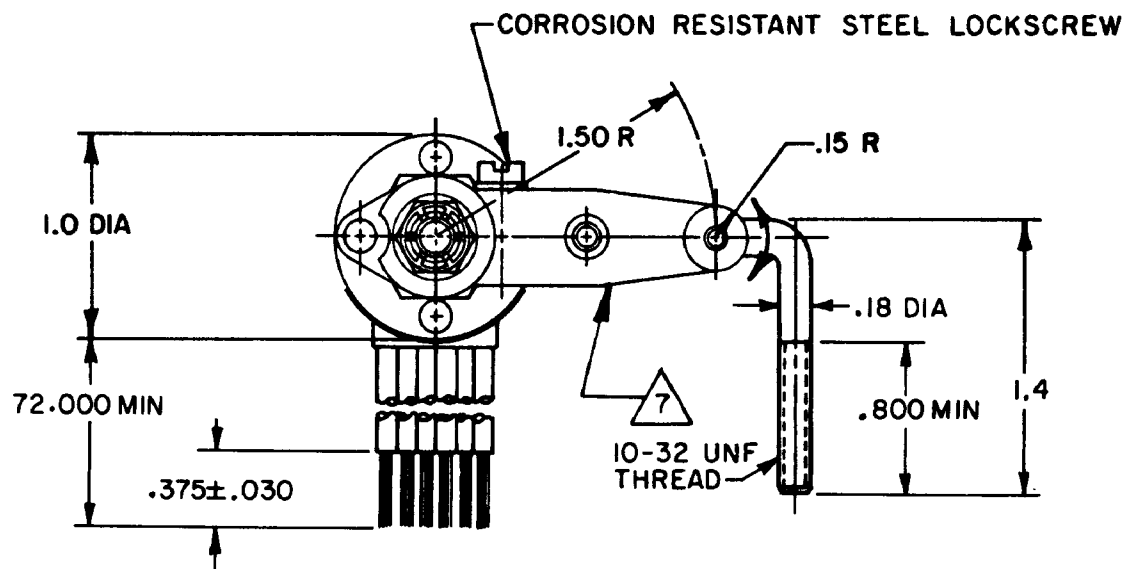


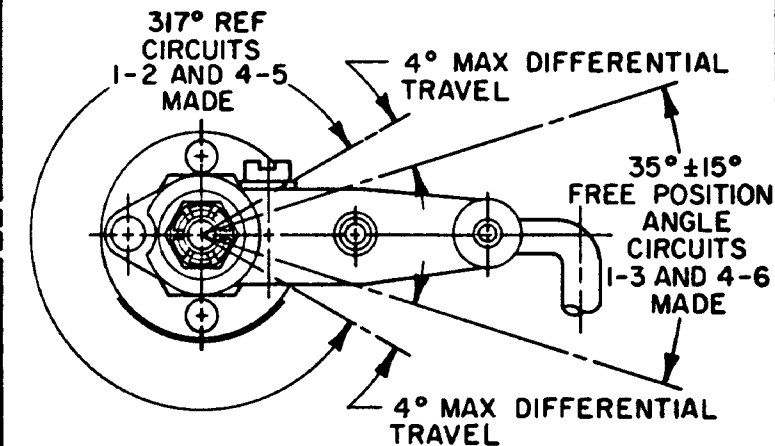
MICRO SWITCH
 FREEPORT ILLINOIS U.S.A.
 A DIVISION OF HONEYWELL
 FED MFG CODE 91929

SWITCH - ENCLOSED

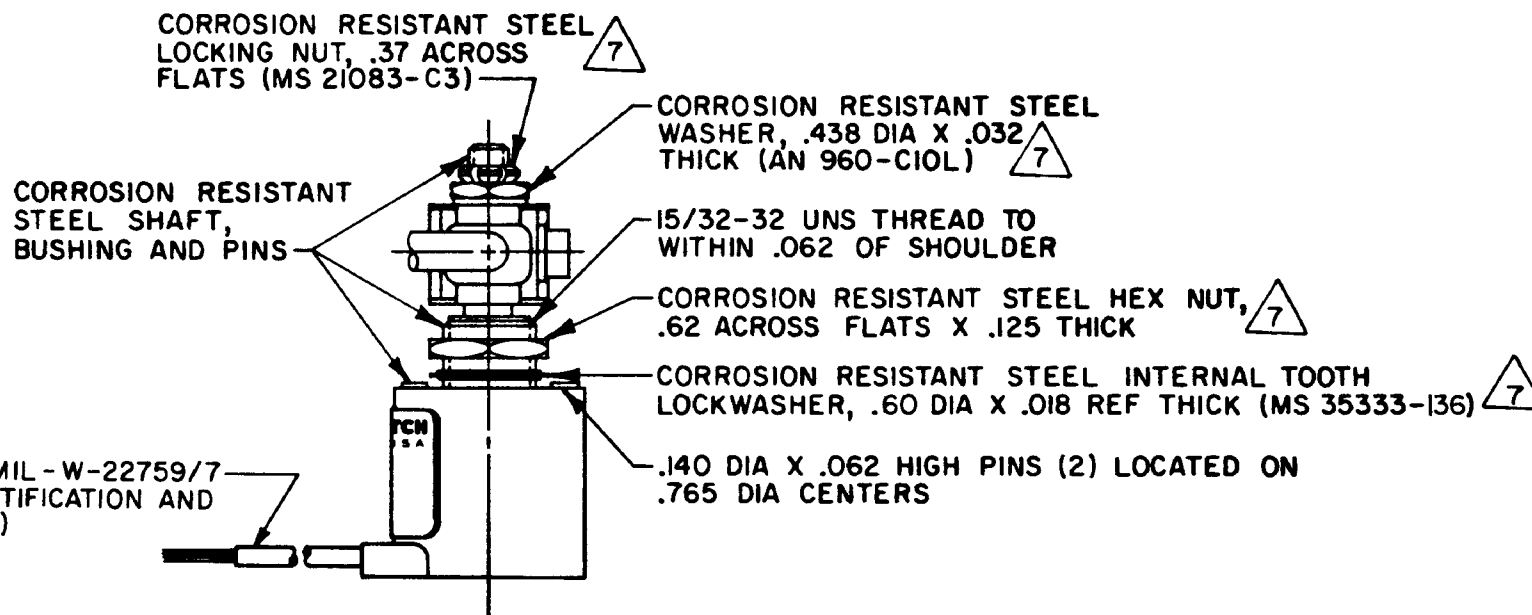
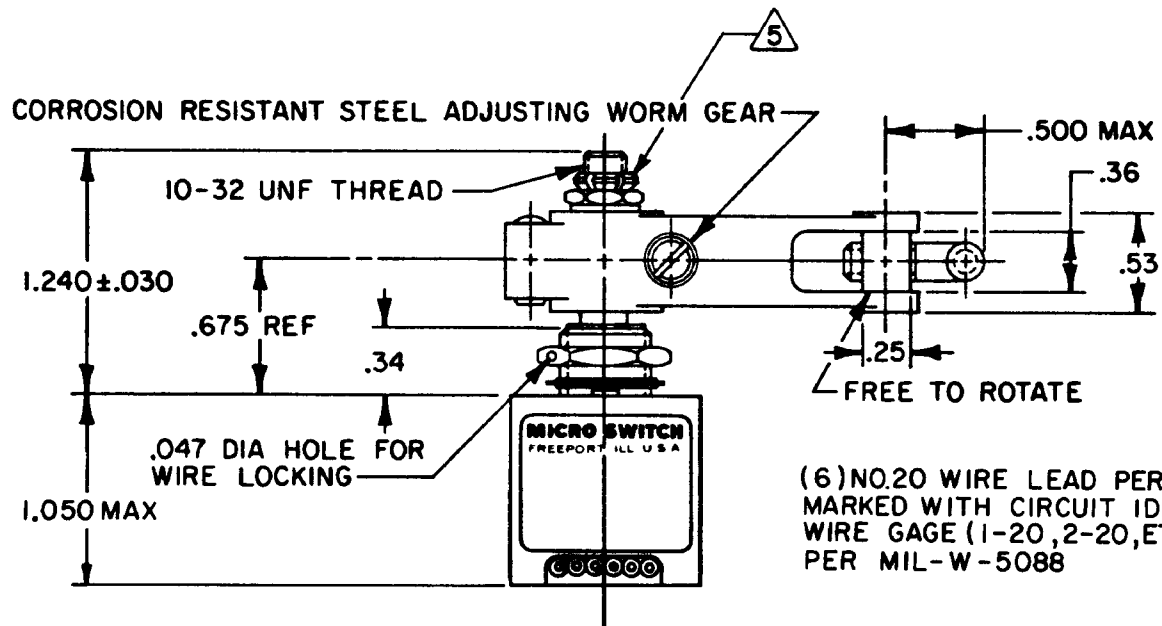
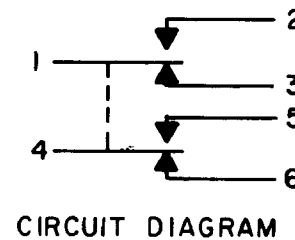
CATALOG LISTING
41EN45-6



LEVER MAY BE ADJUSTED FOR AN INFINITE NUMBER OF POSITIONS THRU 360°. ADJUSTMENT IS MADE BY LOOSENING THE LOCK NUT AND THEN THE LOCKSCREW AND TURNING GEAR UNTIL LEVER IS IN DESIRED POSITION. LOCKSCREW AND LOCK NUT ON SHAFT IS THEN TIGHTENED TO POSITIVELY LOCK LEVER IN POSITION.



CHARACTERISTICS



(6) NO.20 WIRE LEAD PER MIL-W-22759/7 MARKED WITH CIRCUIT IDENTIFICATION AND WIRE GAGE (1-20, 2-20, ETC) PER MIL-W-5088

DRAWING NUMBER: 41EN45-6
 ISSUE: 6
 REVISIONS:
 A CO 44351 29 NOV 79
 B CO 47873 11 AUG 80
 C CO 49806 28 SEPT 81
 D CO 75787-C 11 MAY 84
 CHECK: C, E, B, 31 NOV 79
 DRAWN: S, L, B, 29 NOV 79
 REPLACES: PR-5665
 FO-52851-A

THIS DRAWING COVERS A PROPRIETARY ITEM AND IS THE PROPERTY OF MICRO SWITCH, A DIVISION OF HONEYWELL. THIS DRAWING IS NOT TO BE COPIED OR USED WITHOUT THE APPROVAL OF MICRO SWITCH.

THIRD ANGLE PROJECTION

| | |
|--|---|
| SCALE FULL | |
| DO NOT SCALE PRINT | |
| TOLERANCES | |
| APPLY TO DESIGN UNITS. CONVERSIONS ARE ONLY FOR REFERENCE UNLESS NOTED. TOLERANCES ARE ± | |
| DIM. | TOL. |
| mm | mm/in |
| NO PLACES | 17/94 |
| ONE PLACE | 0.4/018 |
| TWO PLACES | 0.15/008 |
| THREE PLACES | 0.01/005 |
| ANGLES | |
| DESIGN UNITS | <input type="checkbox"/> METRIC <input checked="" type="checkbox"/> US CUSTOMARY |
| RAW MATERIAL-COMMERCIAL STANDARD MICRO SWITCH STANDARDS APPLY | |
| DIMENSIONS ARE TO BE MET BEFORE PROTECTIVE COATINGS ARE APPLIED | |
| WEIGHT | 8.6 OZ MAX |

| | |
|------------------------------------|------------------------------------|
| CHARACTERISTICS | ELECTRICAL DATA |
| OPERATING TORQUE — — — 3 IN LB MAX | CONTACT ARRANGEMENT S P D T (2) |
| PRETRAVEL | LOAD |
| DIFFERENTIAL TRAVEL | RES |
| OVERTRAVEL | IND |
| FREE POSITION | MOTOR |
| SEE DETAIL | LAMP |

| | | |
|--------|-----------|------------|
| 28 VDC | SEA LEVEL | 50,000 FT. |
| 4 | 4 | |
| 3 | | |
| 4 | | |
| 2.4 | 2.4 | |

- NOTES**
- CORROSION RESISTANT STEEL ENCLOSURE
 - SWITCH SEALED PER MIL-S-8805 SYMBOL 4
 - CIRCUIT DIAGRAM AND CAT. LIST. ARE SHOWN ON NAMEPLATE
 - UNIT PROVIDES NO SHAFT RESTORING FORCE THE ACTUATING DEVICE MUST CONTROL MOVEMENT OF THE SHAFT
 - DO NOT APPLY MORE THAN 20-25 INCH-POUNDS OF TORQUE WHEN TIGHTENING LOCKING NUT
 - LEADS PARALLEL WITH CENTERLINE OF MOUNTING PINS WITHIN 5°
 - HARDWARE MAY BE PACKAGED UNASSEMBLED PER MIL-S-8805

X-ON Electronics

Largest Supplier of Electrical and Electronic Components

Click to view similar products for [Basic / Snap Action Switches](#) category:

Click to view products by [Honeywell](#) manufacturer:

Other Similar products are found below :

[83228001](#) [01.098.1358.1](#) [602EN1-6B](#) [602EN532](#) [602EN535-RB](#) [602HE5-RB1](#) [604HE162](#) [604HE223-6B](#) [624HE17-RB](#) [6HM89](#) [6PA78-JM](#)
[6SE1](#) [6SX1-H58](#) [70500840](#) [MBD5B1](#) [MBH2731](#) [73-316-0012](#) [79211759](#) [79211923](#) [79218589](#) [7AS12](#) [ML-1155](#) [ML-1376](#) [831010C3.0](#)
[831060C3.TL](#) [831090C2.EL](#) [83131904](#) [84212012](#) [8AS239](#) [8HM73-3](#) [903VB1-PG](#) [914CE1-6G](#) [PL-100](#) [11SM1077-H4](#) [11SM1077-H58](#)
[11SM1-TN107](#) [11SM405](#) [11SM703-T](#) [11SM8423-H2](#) [11SX37-T](#) [11SX48-H58](#) [11SX55-H58](#) [11SM2442-T](#) [11SM76-T](#) [11SM77-H58](#)
[11SM77-T](#) [11SM863-T](#) [11SM866](#) [11SX47-H58](#) [A7CN-1M-1-LEFT](#)