



ON Semiconductor®

<http://onsemi.com>

LC87F5G32A

CMOS IC

FROM 32K byte, RAM 1024 byte on-chip

8-bit 1-chip Microcontroller

Overview

The LC87F5G32A is an 8-bit microcomputer that, centered around a CPU running at a minimum bus cycle time of 100ns, integrates on a single chip a number of hardware features such as 32K-byte flash ROM (onboard programmable), 1024-byte RAM, an on-chip debugger, sophisticated 16-bit timers/counters (may be divided into 8-bit timers), a 16-bit timer/counter (may be divided into 8-bit timers/counters or 8-bit PWMs), four 8-bit timers with a prescaler, a base timer serving as a time-of-day clock, a high-speed clock counter, a synchronous SIO interface (with automatic block transmission/reception capabilities), an asynchronous/synchronous SIO interface, a UART interface (full duplex), a 12-bit/8-bit 12-channel AD converter, two 12-bit PWM channels, a system clock frequency divider, and a 22-source 10-vector interrupt feature.

Features

■Flash ROM

- Capable of on-board-programming with wide range, 3.0 to 5.5V, of voltage source.
- Block-erasable in 128 byte units
- 32768 × 8-bits (LC87F5G32A)

■RAM

- 1024 × 9 bits (LC87F5G32A)

■Minimum Bus Cycle

- 100ns (10MHz)

Note : The bus cycle time here refers to the ROM read speed.

■Minimum Instruction Cycle Time

- 300ns (10MHz)

* This product is licensed from Silicon Storage Technology, Inc. (USA).

■ Ports

- Normal withstand voltage I/O ports
 - Ports whose I/O direction can be designated in 1-bit units 30 (P1n,P2n,P30 to P36,P70 to P73,PWM0,PWM1,XT2)
 - Ports whose I/O direction can be designated in 4-bit units 8 (P0n)
- Normal withstand voltage input port 1 (XT1)
- Dedicated oscillator ports 2 (CF1, CF2)
- Reset pins 1 (RES)
- Power pins 6 (V_{SS}1 to 3, V_{DD}1 to 3)

■ Timers

- Timer 0: 16-bit timer/counter with a capture register.
 - Mode 0: 8-bit timer with an 8-bit programmable prescaler (with an 8-bit capture register) × 2-channels
 - Mode 1: 8-bit timer with an 8-bit programmable prescaler (with an 8-bit capture register) + 8-bit counter (with an 8-bit capture register)
 - Mode 2: 16-bit timer with an 8-bit programmable prescaler (with a 16-bit capture register)
 - Mode 3: 16-bit counter (with a 16-bit capture register)
- Timer 1: 16-bit timer/counter that supports PWM/toggle outputs
 - Mode 0: 8-bit timer with an 8-bit prescaler (with toggle outputs) + with an 8-bit prescaler 8-bit timer/counter (with toggle outputs)
 - Mode 1: 8-bit PWM with an 8-bit prescaler × 2-channels
 - Mode 2: 16-bit timer/counter with an 8-bit prescaler (with toggle outputs) (toggle outputs also possible from the lower-order 8-bits)
 - Mode 3: 16-bit timer with an 8-bit prescaler (with toggle outputs) (the lower-order 8-bits can be used as PWM.)
- Timer 4: 8-bit timer with a 6-bit prescaler
- Timer 5: 8-bit timer with a 6-bit prescaler
- Timer 6: 8-bit timer with a 6-bit prescaler (with toggle outputs)
- Timer 7: 8-bit timer with a 6-bit prescaler (with toggle outputs)
- Base timer
 - 1) The clock is selectable from the subclock (32.768kHz crystal oscillation), system clock, and timer 0 prescaler output.
 - 2) Interrupts programmable in 5 different time schemes

■ High-speed Clock Counter

- 1) Can count clocks with a maximum clock rate of 20MHz (at a main clock of 10MHz).
- 2) Can generate output real-time.

■ SIO

- SIO0: 8-bit synchronous serial interface
 - 1) LSB first/MSB first mode selectable
 - 2) Built-in 8-bit baudrate generator (maximum transfer clock cycle=4/3 tCYC)
 - 3) Automatic continuous data transmission (1 to 256-bits, specifiable in 1 bit units, suspension and resumption of data transmission possible in 1 byte units)
- SIO1: 8-bit asynchronous/synchronous serial interface
 - Mode 0: Synchronous 8-bit serial I/O (2- or 3-wire configuration, 2 to 512 tCYC transfer clocks)
 - Mode 1: Asynchronous serial I/O (half-duplex, 8 data bits, 1 stop bit, 8 to 2048 tCYC baudrates)
 - Mode 2: Bus mode 1 (start bit, 8 data bits, 2 to 512 tCYC transfer clocks)
 - Mode 3: Bus mode 2 (start detect, 8 data bits, stop detect)

■ UART

- Full duplex
- 7/8/9 bit data bits selectable
- 1 stop bit (2-bit in continuous data transmission)
- Built-in baudrate generator

■ AD Converter: 12-bits/8-bits × 12-channels

- 12-bits/8-bits AD converter selectable
- Automatic reference voltage generation controllable

LC87F5G32A

■ PWM: Multifrequency 12-bit PWM × 2-channels

■ Remote Control Receiver Circuit (sharing pins with P73, INT3, and T0IN)

- Noise rejection function (noise filter time constant selectable from 1 tCYC, 32 tCYC, and 128 tCYC)

■ Watchdog Timer

- External RC watchdog timer
- Interrupt and reset signals selectable

■ Interrupts

- 22 sources, 10 vector addresses

- 1) Provides three levels (low (L), high (H), and highest (X)) of multiplex interrupt control. Any interrupt requests of the level equal to or lower than the current interrupt are not accepted.
- 2) When interrupt requests to two or more vector addresses occur at the same time, the interrupt of the highest level takes precedence over the other interrupts. For interrupts of the same level, the interrupt into the smallest vector address takes precedence.

No.	Vector Address	Level	Interrupt Source
1	00003H	X or L	INT0
2	0000BH	X or L	INT1
3	00013H	H or L	INT2/T0L/INT4
4	0001BH	H or L	INT3/INT5/base timer
5	00023H	H or L	T0H
6	0002BH	H or L	T1L/T1H
7	00033H	H or L	SIO0/UART1 receive
8	0003BH	H or L	SIO1/UART1 transmit
9	00043H	H or L	ADC/T6/T7
10	0004BH	H or L	Port 0/T4/T5/PWM0, PWM1

- Priority Levels: X > H > L
- Of interrupts of the same level, the one with the smallest vector address takes precedence.

■ Subroutine Stack Levels: 512 levels (the stack is allocated in RAM.)

■ High-speed Multiplication/Division Instructions

- 16-bits × 8-bits (5 tCYC execution time)
- 24-bits × 16-bits (12 tCYC execution time)
- 16-bits ÷ 8-bits (8 tCYC execution time)
- 24-bits ÷ 16-bits (12 tCYC execution time)

■ Oscillation Circuits

- RC oscillation circuit (internal): For system clock
- CF oscillation circuit: For system clock, with internal Rf
- Crystal oscillation circuit: For low-speed system clock, with internal Rf
- Frequency variable RC oscillation circuit (internal): For system clock

■ System Clock Divider Function

- Can run on low current.
- The minimum instruction cycle selectable from 300ns, 600ns, 1.2μs, 2.4μs, 4.8μs, 9.6μs, 19.2μs, 38.4μs, and 76.8μs (at a main clock rate of 10MHz).

LC87F5G32A

■ Standby Function

- HALT mode : Halts instruction execution while allowing the peripheral circuits to continue operation.
 - 1) Oscillation is not halted automatically.
 - 2) Canceled by a system reset or occurrence of an interrupt.
- HOLD mode : Suspends instruction execution and the operation of the peripheral circuits.
 - 1) The CF, RC, and crystal oscillators automatically stop operation.
 - 2) There are three ways of resetting the HOLD mode.
 - (1) Setting the reset pin to the lower level.
 - (2) Setting at least one of the INT0, INT1, INT2, INT4, and INT5 pins to the specified level.
 - (3) Having an interrupt source established at port 0.
- X'tal HOLD mode : Suspends instruction execution and the operation of the peripheral circuits except the base timer.
 - 1) The CF and RC oscillators automatically stop operation.
 - 2) The state of crystal oscillation established when the X'tal HOLD mode is entered is retained.
 - 3) There are four ways of resetting the X'tal HOLD mode.
 - (1) Setting the reset pin to the low level.
 - (2) Setting at least one of the INT0, INT1, INT2, INT4, and INT5 pins to the specified level.
 - (3) Having an interrupt source established at port.
 - (4) Having an interrupt source established in the base timer circuit.

■ Onchip Debugger

- Supports software debugging with the IC mounted on the target board.

■ Package Form

- QIP48E(14×14): “Lead-free type”
- SQFP48(7×7): “Lead-free type”

■ Development Tools

- Evaluation chip: LC87EV690
- Emulator: EVA62S + ECB876600D + SUB875G00 + POD48QFP
ICE-B877300 + SUB875G00 + POD48QFP
- Onchip debugger: TCB87 TypeA + LC87F5G32A
TCB87 TypeB + LC87F5G32A

■ Flash ROM Programming boards

Package	Programming boards
QIP48E(14×14)	W87F55256Q
SQFP48(7×7)	W87F55256SQ

■ Flash ROM programmer

Maker	Model		Supported version (Note)	Device
Flash Support Group, Inc. (Formerly Ando Electric Co., Ltd.)	Single	AF9708/AF9709/ AF9709B	After 02.40	LC87F5G32A FAST
	Gang	AF9723 (Main body)	After 02.04	
		AF9833 (Unit)	After 01.84	
Our company	SKK (SANYO FWS)		After 1.02C (Install CD)	LC87F5G32A

Note: Please check the latest version.

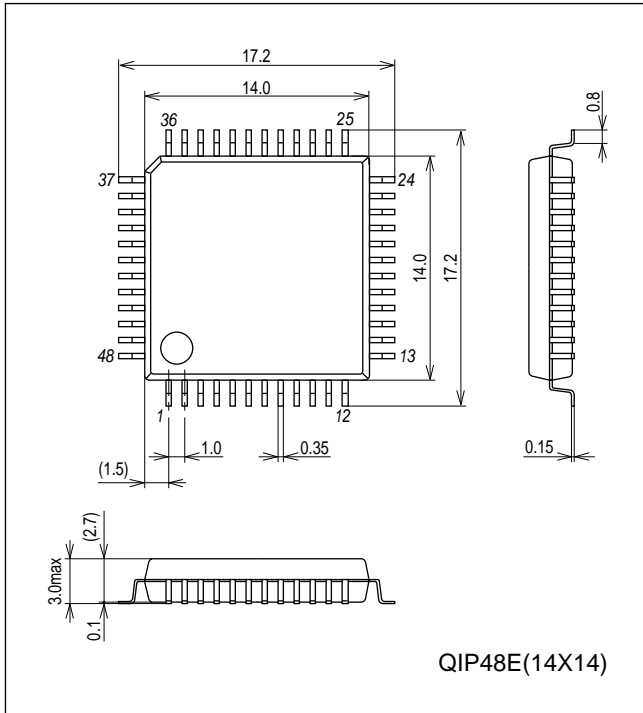
■ Same package and pin assignment as mask ROM version.

- 1) LC875G00 series options can be set by using flash ROM data. Thus the board used for mass production can be used for debugging and evaluation without modifications.
- 2) If the program for the mask ROM version is used, the usable ROM/RAM capacity is the same as the mask ROM version.

LC87F5G32A

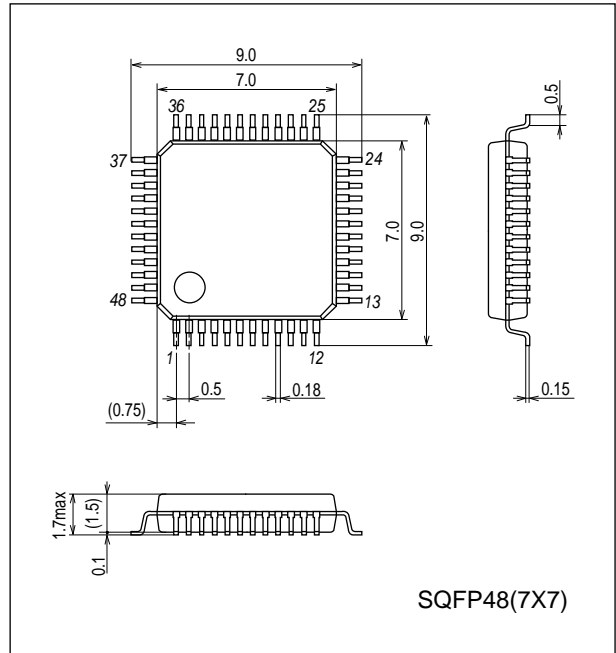
Package Dimensions

unit : mm (typ)
3156A

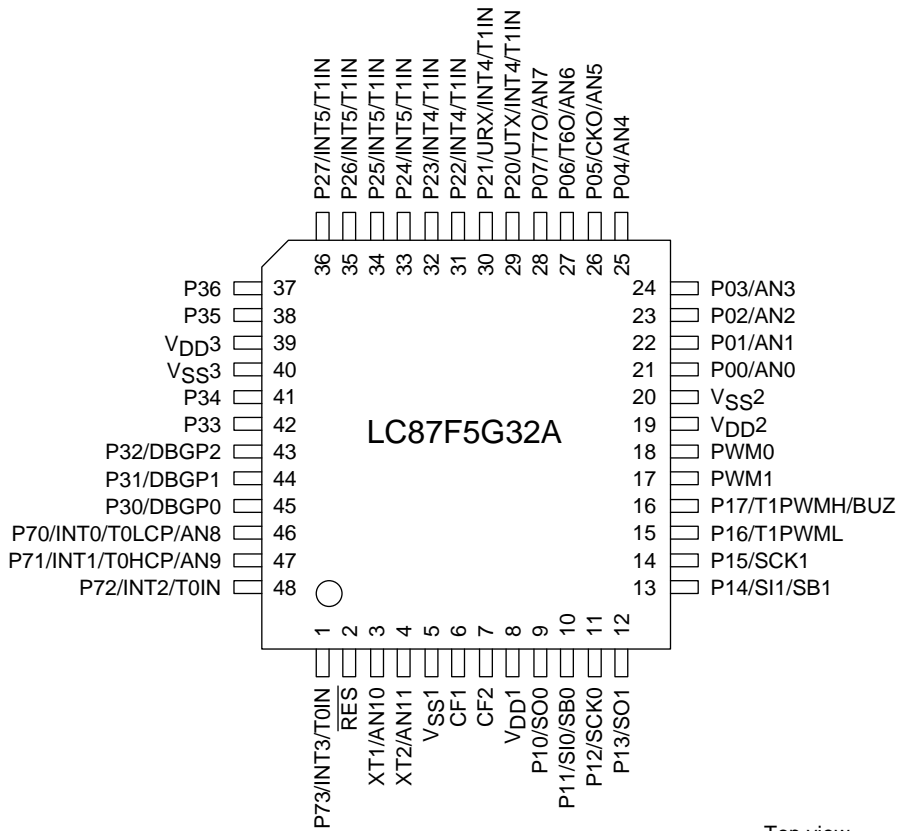


Package Dimensions

unit : mm (typ)
3163B



Pin Assignment



Top view

QIP48E(14×14) "Lead-free Type"
SQFP48(7×7) "Lead-free Type"

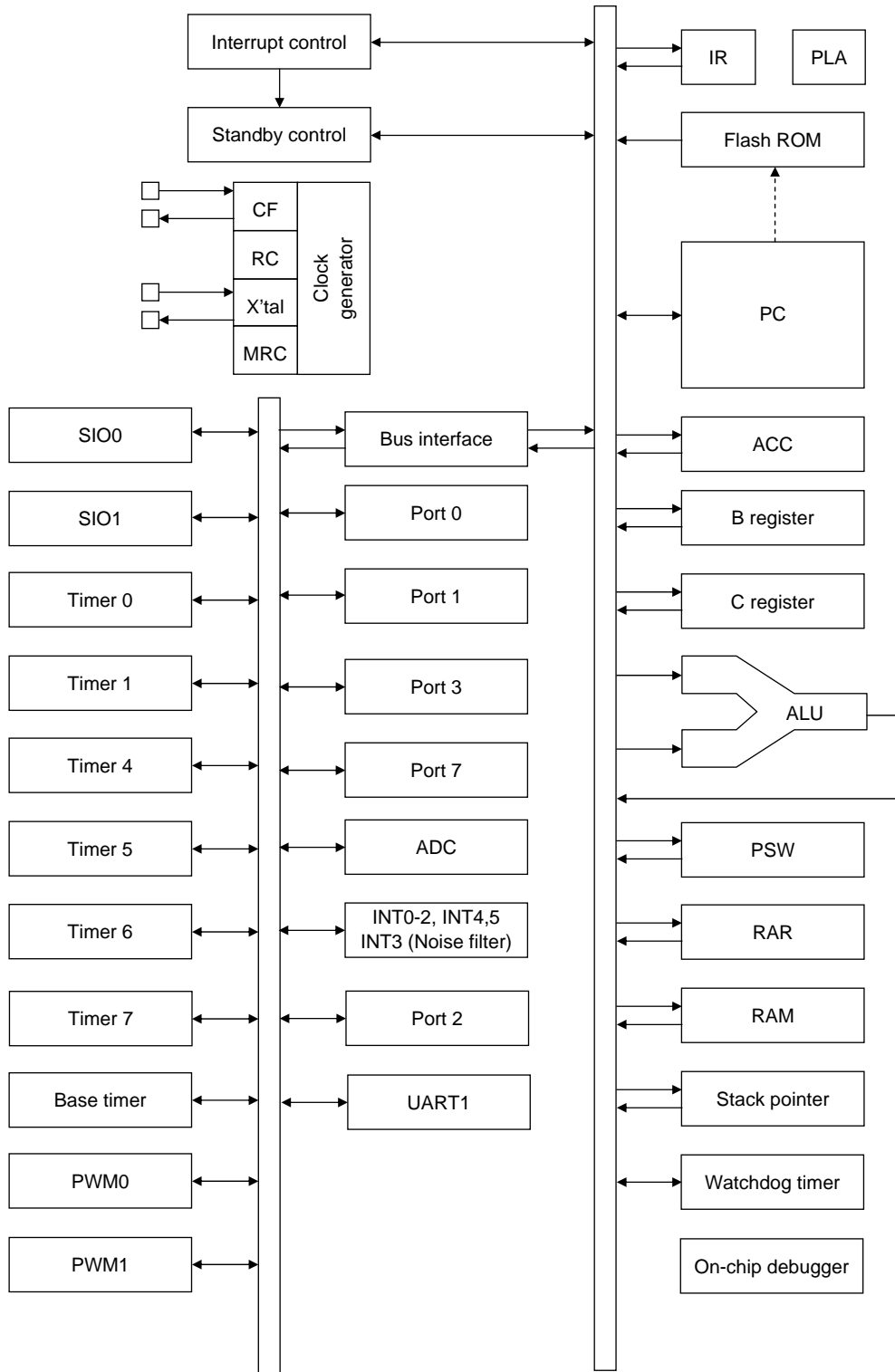
LC87F5G32A

SQFP/QIP	NAME
1	P73/INT3/T0IN
2	$\overline{\text{RES}}$
3	XT1/AN10
4	XT2/AN11
5	V _{SS1}
6	CF1
7	CF2
8	V _{DD1}
9	P10/SO0
10	P11/SI0/SB0
11	P12/SCK0
12	P13/SO1
13	P14/SI1/SB1
14	P15/SCK1
15	P16/T1PWML
16	P17/T1PWH/BUZ
17	PWM1
18	PWM0
19	V _{DD2}
20	V _{SS2}
21	P00/AN0
22	P01/AN1
23	P02/AN2
24	P03/AN3

SQFP/QIP	NAME
25	P04/AN4
26	P05/CKO/AN5
27	P06/T6O/AN6
28	P07/T7O/AN7
29	P20/UTX/INT4/T1IN
30	P21/URX/INT4/T1IN
31	P22/INT4/T1IN
32	P23/INT4/T1IN
33	P24/INT5/T1IN
34	P25/INT5/T1IN
35	P26/INT5/T1IN
36	P27/INT5/T1IN
37	P36
38	P35
39	V _{DD3}
40	V _{SS3}
41	P34
42	P33
43	P32/DBGP2
44	P31/DBGP1
45	P30/DBGP0
46	P70/INT0/T0LCP/AN8
47	P71/INT1/T0HCP/AN9
48	P72/INT2/T0IN

LC87F5G32A

System Block Diagram



LC87F5G32A

Pin Function Chart

Pin Name	I/O	Description	Option																		
V _{SS1} V _{SS2} V _{SS3}	-	- Power supply pin	Yes																		
V _{DD1} V _{DD2} V _{DD3}	-	+ Power supply pin	No																		
Port 0 P00 to P07	I/O	<ul style="list-style-type: none"> • 8-bit I/O port • I/O specifiable in 4-bit units • Pull-up resistors can be turned on and off in 4-bit units • HOLD reset input • Port 0 interrupt input • Shared pins <ul style="list-style-type: none"> P05: System clock output P06: Timer 6 toggle output P07: Timer 7 toggle output AD converter input port: AN0 (P00) to AN7 (P07) 	Yes																		
Port 1 P10 to P17	I/O	<ul style="list-style-type: none"> • 8-bit I/O port • I/O specifiable in 1-bit units • Pull-up resistors can be turned on and off in 1-bit units • Pin functions <ul style="list-style-type: none"> P10: SIO0 data output P11: SIO0 data input/bus I/O P12: SIO0 clock I/O P13: SIO1 data output P14: SIO1 data input/bus I/O P15: SIO1 clock I/O P16: Timer 1PWML output P17: Timer 1PWMLH output/beeper output 	Yes																		
Port 2 P20 to P27	I/O	<ul style="list-style-type: none"> • 8-bit I/O port • I/O specifiable in 1-bit units • Pull-up resistors can be turned on and off in 1-bit units • Pin functions <ul style="list-style-type: none"> P20: UART transmit P21: UART receive P20 to P23: INT4 input/HOLD reset input/timer 1 event input/ timer 0L capture input/timer 0H capture input P24 to P27: INT5 input/HOLD reset input/timer 1 event input/ timer 0L capture input/timer 0H capture input <p>Interrupt acknowledge type</p> <table border="1" style="width: 100%; border-collapse: collapse; text-align: center;"> <thead> <tr> <th></th> <th>Rising</th> <th>Falling</th> <th>Rising & Falling</th> <th>H level</th> <th>L level</th> </tr> </thead> <tbody> <tr> <td>INT4</td> <td>enable</td> <td>enable</td> <td>enable</td> <td>disable</td> <td>disable</td> </tr> <tr> <td>INT5</td> <td>enable</td> <td>enable</td> <td>enable</td> <td>disable</td> <td>disable</td> </tr> </tbody> </table>		Rising	Falling	Rising & Falling	H level	L level	INT4	enable	enable	enable	disable	disable	INT5	enable	enable	enable	disable	disable	Yes
	Rising	Falling	Rising & Falling	H level	L level																
INT4	enable	enable	enable	disable	disable																
INT5	enable	enable	enable	disable	disable																

Continued on next page.

LC87F5G32A

Continued from preceding page.

Pin Name	I/O	Description	Option																														
Port 3 P30 to P36	I/O	<ul style="list-style-type: none"> • 7-bit I/O port • I/O specifiable in 1-bit units • Pull-up resistors can be turned on and off in 1-bit units • Shared pins On-chip debugger pins: DBGP0 to DBGP2 (P30 to P32)	Yes																														
Port 7 P70 to P73	I/O	<ul style="list-style-type: none"> • 4-bit I/O port • I/O specifiable in 1-bit units • Pull-up resistors can be turned on and off in 1-bit units • Shared pins AD converter input port : AN8 (P70), AN9 (P71) P70: INT0 input/HOLD reset input/timer 0L capture input/watchdog timer output P71: INT1 input/HOLD reset input/timer 0H capture input P72: INT2 input/HOLD reset input/timer 0 event input/timer 0L capture input P73: INT3 input (with noise filter)/timer 0 event input/timer 0H capture input Interrupt acknowledge type <table border="1" style="margin-left: 20px;"> <thead> <tr> <th></th> <th>Rising</th> <th>Falling</th> <th>Rising & Falling</th> <th>H level</th> <th>L level</th> </tr> </thead> <tbody> <tr> <td>INT0</td> <td>enable</td> <td>enable</td> <td>disable</td> <td>enable</td> <td>enable</td> </tr> <tr> <td>INT1</td> <td>enable</td> <td>enable</td> <td>disable</td> <td>enable</td> <td>enable</td> </tr> <tr> <td>INT2</td> <td>enable</td> <td>enable</td> <td>enable</td> <td>disable</td> <td>disable</td> </tr> <tr> <td>INT3</td> <td>enable</td> <td>enable</td> <td>enable</td> <td>disable</td> <td>disable</td> </tr> </tbody> </table>		Rising	Falling	Rising & Falling	H level	L level	INT0	enable	enable	disable	enable	enable	INT1	enable	enable	disable	enable	enable	INT2	enable	enable	enable	disable	disable	INT3	enable	enable	enable	disable	disable	No
	Rising	Falling	Rising & Falling	H level	L level																												
INT0	enable	enable	disable	enable	enable																												
INT1	enable	enable	disable	enable	enable																												
INT2	enable	enable	enable	disable	disable																												
INT3	enable	enable	enable	disable	disable																												
PWM0, PWM1	I/O	<ul style="list-style-type: none"> • PWM0 and PWM1 output ports • General-purpose I/O available 	No																														
$\overline{\text{RES}}$	Input	Reset pin	No																														
XT1	Input	<ul style="list-style-type: none"> • 32.768kHz crystal oscillator input pin • Shared pins General-purpose input port AD converter input port: AN10 Must be connected to V_{DD1} if not to be used	No																														
XT2	I/O	<ul style="list-style-type: none"> • 32.768kHz crystal oscillator output pin • Shared pins General-purpose I/O port AD converter input port: AN11 Must be set for oscillation and kept open if not to be used	No																														
CF1	Input	Ceramic resonator input pin	No																														
CF2	Output	Ceramic resonator output pin	No																														

Port Output Types

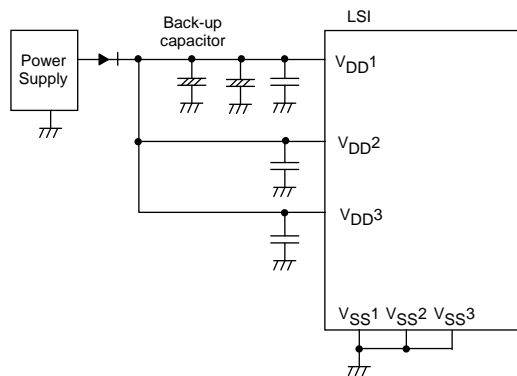
The table below lists the types of port outputs and the presence/absence of a pull-up resistor. Data can be read into any input port even if it is in the output mode.

Port Name	Option Selected in Units of	Option Type	Output Type	Pull-up Resistor
P00 to P07	1-bit	1	CMOS	Programmable (Note 1)
		2	Nch-open drain	No
P10 to P17	1-bit	1	CMOS	Programmable
		2	Nch-open drain	Programmable
P20 to P27	1-bit	1	CMOS	Programmable
		2	Nch-open drain	Programmable
P30 to P36	1-bit	1	CMOS	Programmable
		2	Nch-open drain	Programmable
P70	-	No	Nch-open drain	Programmable
P71 to P73	-	No	CMOS	Programmable
PWM0, PWM1	-	No	CMOS	No
XT1	-	No	Input for 32.768kHz crystal oscillator (Input only)	No
XT2	-	No	Output for 32.768kHz crystal oscillator (Nch-open drain when in general-purpose output mode)	No

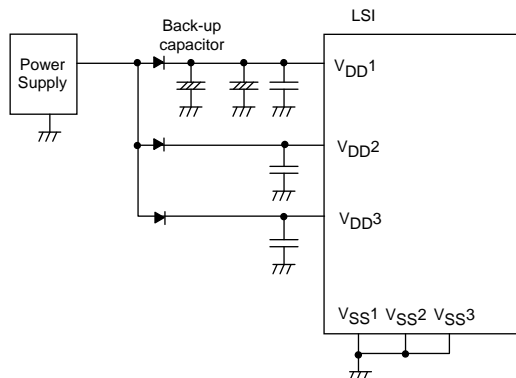
Note 1: Programmable pull-up resistor of Port 0 is specified in nibble units (P00 to P03, P04 to P07).

Note: To reduce V_{DD} signal noise and to increase the duration of the backup battery supply, V_{SS1} , V_{SS2} , and V_{SS3} should connect to each other and they should also be grounded.

Example 1: During backup in hold mode, port output 'H' level is supplied from the back-up capacitor.



Example 2: During backup in hold mode, output is not held high and its value is unsettled.



LC87F5G32A

Absolute Maximum Ratings at Ta = 25°C, VSS1 = VSS2 = VSS3 = 0V

Parameter	Symbol	Pin/Remarks	Conditions	Specification				unit
				VDD[V]	min	typ	max	
Maximum supply voltage	VDD max	VDD1, VDD2, VDD3	VDD1=VDD2=VDD3		-0.3		+6.5	V
Input voltage	VI	XT1, CF1			-0.3		VDD+0.3	
Input/output voltage	VIO	Ports 0, 1, 2, 3 Port 7, PWM0, PWM1, XT2			-0.3		VDD+0.3	
High level output current	Peak output current	IOPH(1)	Ports 0, 1, 2, 3	CMOS output select Per 1 applicable pin			-10	mA
		IOPH(2)	PWM0, PWM1	CMOS output select Per 1 applicable pin			-20	
		IOPH(3)	Ports P71 to P73	Per 1 applicable pin			-5	
	Mean output current (Note 1-1)	IOMH(1)	Ports 0, 1, 2, 3	CMOS output select Per 1 applicable pin			-7.5	
		IOMH(2)	PWM0, PWM1	CMOS output select Per 1 applicable pin			-15	
		IOMH(3)	Ports P71 to P73	Per 1 applicable pin			-3	
	Total output current	ΣIOAH(1)	Ports P71 to P73	Total of all applicable pins			-10	
		ΣIOAH(2)	Port 0	Total of all applicable pins			-25	
		ΣIOAH(3)	Ports 1, PWM0, PWM1	Total of all applicable pins			-25	
		ΣIOAH(4)	Ports 0, 1 PWM0, PWM1	Total of all applicable pins			-45	
		ΣIOAH(5)	Ports 2, P35, P36	Total of all applicable pins			-25	
		ΣIOAH(6)	Ports P30 to P34	Total of all applicable pins			-25	
		ΣIOAH(7)	Ports 2, 3	Total of all applicable pins			-45	
Low level output current	Peak output current	IOPL(1)	Ports P02 to P07 Ports 1, 2, 3 PWM0, PWM1	Per 1 applicable pin			20	
		IOPL(2)	Ports P00, P01	Per 1 applicable pin			30	
		IOPL(3)	Port 7, XT2	Per 1 applicable pin			10	
	Mean output current (Note 1-1)	IOML(1)	Ports P02 to P07 Ports 1, 2, 3 PWM0, PWM1	Per 1 applicable pin			15	
		IOML(2)	Ports P00, P01	Per 1 applicable pin			20	
		IOML(3)	Port 7, XT2	Per 1 applicable pin			7.5	
	Total output current	ΣIOAL(1)	Port 7, XT2	Total of all applicable pins			15	
		ΣIOAL(2)	Port 0	Total of all applicable pins			45	
		ΣIOAL(3)	Ports 1, PWM0, PWM1	Total of all applicable pins			45	
		ΣIOAL(4)	Ports 0, 1 PWM0, PWM1	Total of all applicable pins			80	
		ΣIOAL(5)	Ports 2, P35, P36	Total of all applicable pins			45	
		ΣIOAL(6)	Ports P30 to P34	Total of all applicable pins			45	
		ΣIOAL(7)	Ports 2, 3	Total of all applicable pins			60	
Power dissipation	Pd max	SQFP48(7×7)	Ta= -30 to +70°C				190	mW
		QIP48E(14×14)					390	
Operating ambient temperature	Topr				-30		+70	°C
Storage ambient temperature	Tstg				-55		+125	

Note 1-1: The mean output current is a mean value measured over 100ms.

Stresses exceeding Maximum Ratings may damage the device. Maximum Ratings are stress ratings only. Functional operation above the Recommended Operating Conditions is not implied. Extended exposure to stresses above the Recommended Operating Conditions may affect device reliability.

LC87F5G32A

Allowable Operating Conditions at $T_a = -30^{\circ}\text{C}$ to $+70^{\circ}\text{C}$, $V_{SS1} = V_{SS2} = V_{SS3} = 0\text{V}$

Parameter	Symbol	Pin/Remarks	Conditions	Specification				unit
				$V_{DD}[\text{V}]$	min	typ	max	
Operating supply voltage (Note 2-1)	$V_{DD}(1)$	$V_{DD1}=V_{DD2}=V_{DD3}$	$0.294\mu\text{s} \leq t_{CYC} \leq 200\mu\text{s}$		4.0		5.5	V
	$V_{DD}(2)$				3.0		5.5	
	$V_{DD}(3)$				2.5		5.5	
Memory sustaining supply voltage	VHD	$V_{DD1}=V_{DD2}=V_{DD3}$	RAM and register contents sustained in HOLD mode.		2.0		5.5	
High level input voltage	$V_{IH}(1)$	Ports 1, 2, 3 P71 to P73 P70 port input/ interrupt side PWM0, PWM1		2.5 to 5.5	$0.3V_{DD} + 0.7$		V_{DD}	
	$V_{IH}(2)$	Port 0		2.5 to 5.5	$0.3V_{DD} + 0.7$		V_{DD}	
	$V_{IH}(3)$	Port 70 watchdog timer side		2.5 to 5.5	$0.9V_{DD}$		V_{DD}	
	$V_{IH}(4)$	XT1, XT2, CF1, $\overline{\text{RES}}$		2.5 to 5.5	$0.75V_{DD}$		V_{DD}	
Low level input voltage	$V_{IL}(1)$	Ports 1, 2, 3 P71 to P73 P70 port input/ interrupt side PWM0, PWM1		4.0 to 5.5	V_{SS}		$0.1V_{DD} + 0.4$	
				2.5 to 4.0	V_{SS}		$0.2V_{DD}$	
	$V_{IL}(2)$	Port 0		4.0 to 5.5	V_{SS}		$0.15V_{DD} + 0.4$	
				2.5 to 4.0	V_{SS}		$0.2V_{DD}$	
	$V_{IL}(3)$	Port 70 watchdog timer side		2.5 to 5.5	V_{SS}		$0.8V_{DD} - 1.0$	
	$V_{IL}(4)$	XT1, XT2, CF1, $\overline{\text{RES}}$		2.5 to 5.5	V_{SS}		$0.25V_{DD}$	
Instruction cycle time (Note 2-1)	tCYC (Note 2-2)			4.0 to 5.5	0.294		200	μs
				3.0 to 5.5	0.367		200	
				2.5 to 5.5	0.588		200	
External system clock frequency	FEXCF	CF1	<ul style="list-style-type: none"> • CF2 pin open • System clock frequency division ratio=1/1 • External system clock duty=50±5% 	4.0 to 5.5	0.1		10	MHz
				2.5 to 5.5	0.1		5	
				4.0 to 5.5	0.2		20.4	
				2.5 to 5.5	0.1		10	
Oscillation frequency range (Note 2-3)	$F_{mCF}(1)$	CF1, CF2	10MHz ceramic oscillation See Fig 1.	4.0 to 5.5		10		MHz
	$F_{mCF}(2)$	CF1, CF2	8MHz ceramic oscillation See Fig 1.	3.0 to 5.5		8		
	$F_{mCF}(3)$	CF1, CF2	5MHz ceramic oscillation See Fig 1.	2.5 to 5.5		5		
	F_{mRC}		Internal RC oscillation	2.5 to 5.5	0.3	1.0	2.0	
	F_{mMRC}		Frequency variable RC oscillation source oscillation	2.5 to 5.5		16		
	$F_{sX'tal}$	XT1, XT2	32.768kHz crystal oscillation See Fig 2.	2.5 to 5.5		32.768		

Note 2-1: V_{DD} must be held greater than or equal to 3.0V in the flash ROM onboard programming mode.

Note 2-2: Relationship between tCYC and oscillation frequency is $3/F_{mCF}$ at a division ratio of 1/1 and $6/F_{mCF}$ at a division ratio of 1/2.

Note 2-3: See Tables 1 and 2 for the oscillation constants.

LC87F5G32A

Electrical Characteristics at Ta = -30°C to +70°C, VSS1 = VSS2 = VSS3 = 0V

Parameter	Symbol	Pin/Remarks	Conditions	Specification				unit
				VDD[V]	min	typ	max	
High level input current	I _{IH} (1)	Ports 0, 1, 2, 3 Port 7 RES PWM0, PWM1	Output disabled Pull-up resistor off V _{IN} =V _{DD} (Including output Tr's off leakage current)	2.5 to 5.5			1	μA
	I _{IH} (2)	XT1, XT2	For input port specification V _{IN} =V _{DD}	2.5 to 5.5			1	
	I _{IH} (3)	CF1	V _{IN} =V _{DD}	2.5 to 5.5			15	
Low level input current	I _{IL} (1)	Ports 0, 1, 2, 3 Port 7 RES PWM0, PWM1	Output disabled Pull-up resistor off V _{IN} =V _{SS} (Including output Tr's off leakage current)	2.5 to 5.5	-1			μA
	I _{IL} (2)	XT1, XT2	For input port specification V _{IN} =V _{SS}	2.5 to 5.5	-1			
	I _{IL} (3)	CF1	V _{IN} =V _{SS}	2.5 to 5.5	-15			
High level output voltage	V _{OH} (1)	Ports 0, 1, 2, 3	I _{OH} = -1mA	4.5 to 5.5	V _{DD} -1			V
	V _{OH} (2)		I _{OH} = -0.1mA	2.5 to 5.5	V _{DD} -0.5			
	V _{OH} (3)	P71 to P73	I _{OH} = -0.4mA	4.5 to 5.5	V _{DD} -1			
	V _{OH} (4)	PWM0, PWM1, P05(System clock output function used)	I _{OH} = -6mA	4.5 to 5.5	V _{DD} -1			
	V _{OH} (5)		I _{OH} = -1.6mA	4.5 to 5.5	V _{DD} -0.4			
	V _{OH} (6)		I _{OH} = -1mA	2.5 to 5.5	V _{DD} -0.4			
V _{OL} (1)	Ports 0, 1, 2, 3, PWM0, PWM1, XT2		I _{OL} =10mA	4.5 to 5.5			1.5	
V _{OL} (2)	P00, P01	I _{OL} =1.6mA	4.5 to 5.5			0.4		
V _{OL} (3)		I _{OL} =1mA	2.5 to 5.5			0.4		
V _{OL} (4)		I _{OL} =30mA	4.5 to 5.5			1.5		
V _{OL} (5)	Port 7	I _{OL} =1mA	2.5 to 5.5			0.4		
Pull-up resistance	Rpu(1)	Ports 0, 1, 2, 3 Port 7	V _{OH} =0.9V _{DD}	4.5 to 5.5	15	35	80	kΩ
	Rpu(2)	Ports 0, 1, 2, 3 Port 7	V _{OH} =0.9V _{DD}	2.5 to 4.5	18	50	150	
Hysteresis voltage	VHYS	RES Ports 1, 2, 7		2.5 to 5.5		0.1V _{DD}		V
Pin capacitance	CP	All pins	For pins other than that under test: V _{IN} =V _{SS} f=1MHz Ta=25°C	2.5 to 5.5		10		pF

LC87F5G32A

Serial Input/Output Characteristics at $T_a = -30^{\circ}\text{C}$ to $+70^{\circ}\text{C}$, $V_{SS1} = V_{SS2} = V_{SS3} = 0\text{V}$

1. SIO0 Serial I/O Characteristics (Note 4-1-1)

Parameter		Symbol	Pin/Remarks	Conditions	$V_{DD}[\text{V}]$	Specification				
						min	typ	max	unit	
Serial clock	Input clock	Frequency	tSCK(1)	SCK0(P12)	See Fig. 6.	2.5 to 5.5	2			tCYC
		Low level pulse width	tSCKL(1)				1			
		High level pulse width	tSCKH(1)	1						
			tSCKHA(1)							
	Output clock	Frequency	tSCK(2)	SCK0(P12)	<ul style="list-style-type: none"> • CMOS output selected • See Fig. 6. 	2.5 to 5.5	4/3			tSCK
		Low level pulse width	tSCKL(2)				1/2			
High level pulse width		tSCKH(2)	1/2							
	tSCKHA(2)			<ul style="list-style-type: none"> • Continuous data transmission/reception mode • CMOS output selected • See Fig. 6. 	tSCKH(2) +2tCYC		tSCKH(2) +(10/3) tCYC	tCYC		
Serial input	Data setup time	tsDI(1)	SB0(P11), SIO(P11)	<ul style="list-style-type: none"> • Must be specified with respect to rising edge of SIOCLK. • See Fig. 6. 	2.5 to 5.5	0.03				
	Data hold time	thDI(1)					2.5 to 5.5	0.03		
Serial output	Input clock	Output delay time	tdD0(1)	SO0(P10), SB0(P11)	<ul style="list-style-type: none"> • Continuous data transmission/reception mode • (Note 4-1-3) 	2.5 to 5.5			(1/3)tCYC +0.05	μs
			tdD0(2)				<ul style="list-style-type: none"> • Synchronous 8-bit mode • (Note 4-1-3) 	2.5 to 5.5		
	Output clock	tdD0(3)	(Note 4-1-3)		2.5 to 5.5			(1/3)tCYC +0.05		

Note 4-1-1: These specifications are theoretical values. Add margin depending on its use.

Note 4-1-2: To use serial-clock-input in continuous trans/rec mode, a time from SIORUN being set when serial clock is "H" to the first negative edge of the serial clock must be longer than tSCKHA.

Note 4-1-3: Must be specified with respect to falling edge of SIOCLK. Must be specified as the time to the beginning of output state change in open drain output mode. See Fig. 6.

LC87F5G32A

2. SIO1 Serial I/O Characteristics (Note 4-2-1)

Parameter		Symbol	Pin/Remarks	Conditions	V _{DD} [V]	Specification				
						min	typ	max	unit	
Serial clock	Input clock	Frequency	tSCK(3)	SCK1(P15)	See Fig. 6.	2.5 to 5.5	2			tCYC
		Low level pulse width	tSCKL(3)				1			
		High level pulse width	tSCKH(3)				1			
	Output clock	Frequency	tSCK(4)	SCK1(P15)	<ul style="list-style-type: none"> • CMOS output selected • See Fig. 6. 	2.5 to 5.5	2			tSCK
		Low level pulse width	tSCKL(4)				1/2			
		High level pulse width	tSCKH(4)				1/2			
Serial input	Data setup time	tsDI(2)	SB1(P14), SI1(P14)	<ul style="list-style-type: none"> • Must be specified with respect to rising edge of SIOCLK. • See Fig. 6. 	2.5 to 5.5	0.03				
	Data hold time	thDI(2)				2.5 to 5.5	0.03			
Serial output	Output delay time	tdD0(4)	SO1(P13), SB1(P14)	<ul style="list-style-type: none"> • Must be specified with respect to falling edge of SIOCLK. • Must be specified as the time to the beginning of output state change in open drain output mode. • See Fig. 6. 	2.5 to 5.5			(1/3)tCYC +0.05	μs	

Note 4-2-1: These specifications are theoretical values. Add margin depending on its use.

LC87F5G32A

Pulse Input Conditions at Ta = -30°C to +70°C, VSS1 = VSS2 = VSS3 = 0V

Parameter	Symbol	Pin/Remarks	Conditions	Specification				
				V _{DD} [V]	min	typ	max	unit
High/low level pulse width	tPIH(1) tPIL(1)	INT0(P70), INT1(P71), INT2(P72), INT4(P20 to P23), INT5(P24 to P27)	<ul style="list-style-type: none"> Interrupt source flag can be set. Event inputs for timer 0 or 1 are enabled. 	2.5 to 5.5	1			tCYC
	tPIH(2) tPIL(2)	INT3(P73) when noise filter time constant is 1/1	<ul style="list-style-type: none"> Interrupt source flag can be set. Event inputs for timer 0 are enabled. 	2.5 to 5.5	2			
	tPIH(3) tPIL(3)	INT3(P73) when noise filter time constant is 1/32	<ul style="list-style-type: none"> Interrupt source flag can be set. Event inputs for timer 0 are enabled. 	2.5 to 5.5	64			
	tPIH(4) tPIL(4)	INT3(P73) when noise filter time constant is 1/128	<ul style="list-style-type: none"> Interrupt source flag can be set. Event inputs for timer 0 are enabled. 	2.5 to 5.5	256			
	tPIL(5)	$\overline{\text{RES}}$	Resetting is enabled.	2.5 to 5.5	200			μs

AD Converter Characteristics at VSS1 = VSS2 = VSS3 = 0V

<12-bits AD Converter Mode / Ta= -10°C to +50°C>

Parameter	Symbol	Pin/Remarks	Conditions	Specification				
				V _{DD} [V]	min	typ	max	unit
Resolution	N	AN0(P00) to AN7(P07)		4.75 to 5.25		12		bit
Absolute accuracy	ET	AN8(P70)	(Note 6-1)	4.75 to 5.25			T.B.D	LSB
Conversion time	TCAD	AN9(P71) AN10(XT1) AN11(XT2)	See conversion time calculation formulas. (Note 6-2)	4.75 to 5.25	38.5		90	μs
Analog input voltage range	VAIN			4.75 to 5.25	V _{SS}		V _{DD}	V
Analog port input current	I _A INH		V _A IN=V _{DD}	4.75 to 5.25			1	μA
	I _A INL		V _A IN=V _{SS}	4.75 to 5.25	-1			

<8-bits AD Converter Mode / Ta= -30°C to +70°C>

Parameter	Symbol	Pin/Remarks	Conditions	Specification				
				V _{DD} [V]	min	typ	max	unit
Resolution	N	AN0(P00) to AN7(P07)		3.0 to 5.5		8		bit
Absolute accuracy	ET	AN8(P70)	(Note 6-1)	3.0 to 5.5			±1.5	LSB
Conversion time	TCAD	AN9(P71) AN10(XT1) AN11(XT2)	See conversion time calculation formulas. (Note 6-2)	4.5 to 5.5	22.5		90	μs
				3.0 to 5.5	45		90	
Analog input voltage range	VAIN			3.0 to 5.5	V _{SS}		V _{DD}	V
Analog port input current	I _A INH		V _A IN=V _{DD}	3.0 to 5.5			1	μA
	I _A INL		V _A IN=V _{SS}	3.0 to 5.5	-1			

Conversion time calculation formulas:

12-bits AD Converter Mode: TCAD (Conversion time) = ((52/(division ratio))+2) × (1/3) × tCYC

8-bits AD Converter Mode: TCAD (Conversion time) = ((32/(division ratio))+2) × (1/3) × tCYC

Note 6-1: The quantization error (±1/2LSB) must be excluded from the absolute accuracy. The absolute accuracy must be measured in the microcontroller's state in which no I/O operations occur at the pins adjacent to the analog input channel.

Note 6-2: The conversion time refers to the period from the time an instruction for starting a conversion process till the time the conversion results register(s) are loaded with a complete digital conversion value corresponding to the analog input value.

The conversion time is 2 times the normal-time conversion time when:

- The first AD conversion is performed in the 12-bit AD conversion mode after a system reset.
- The first AD conversion is performed after the AD conversion mode is switched from 8-bit to 12-bit conversion mode.

LC87F5G32A

Consumption Current Characteristics at Ta = -30°C to +70°C, VSS1 = VSS2 = VSS3 = 0V

Parameter	Symbol	Pin/ Remarks	Conditions	Specification				
				VDD[V]	min	typ	Max	unit
Normal mode consumption current (Note 7-1)	IDDOP(1)	VDD1 = VDD2 = VDD3	<ul style="list-style-type: none"> • FmCF=10MHz ceramic oscillation mode • FsX'tal=32.768kHz crystal oscillation mode • System clock set to 10MHz side • Internal RC oscillation stopped • Frequency variable RC oscillation stopped • 1/1 frequency division ratio 	4.0 to 5.5		7.7	20	mA
	IDDOP(2)		<ul style="list-style-type: none"> • CF1=20MHz external clock • FsX'tal=32.768kHz crystal oscillation mode • System clock set to CF1 side • Internal RC oscillation stopped • Frequency variable RC oscillation stopped • 1/2 frequency division ratio 	4.0 to 5.5		8.7	20	
	IDDOP(3)		<ul style="list-style-type: none"> • FmCF=5MHz ceramic oscillation mode • FsX'tal=32.768kHz crystal oscillation mode • System clock set to 5MHz side • Internal RC oscillation stopped • Frequency variable RC oscillation stopped • 1/1 frequency division ratio 	4.5 to 5.5		5.2	12	
	IDDOP(4)		<ul style="list-style-type: none"> • Internal RC oscillation stopped • Frequency variable RC oscillation stopped • 1/1 frequency division ratio 	4.5 to 5.5		3.5	10	
	IDDOP(5)		<ul style="list-style-type: none"> • FmCF=0Hz (oscillation stopped) • FsX'tal=32.768kHz crystal oscillation mode • System clock set to internal RC oscillation • Frequency variable RC oscillation stopped • 1/2 frequency division ratio 	4.5 to 5.5		0.7	2.9	
	IDDOP(6)		<ul style="list-style-type: none"> • Frequency variable RC oscillation stopped • 1/2 frequency division ratio 	2.5 to 4.5		0.4	2.1	
	IDDOP(7)		<ul style="list-style-type: none"> • FmCF=0Hz (oscillation stopped) • FsX'tal=32.768kHz crystal oscillation mode • Internal RC oscillation stopped • System clock set to 1MHz with frequency variable RC oscillation • 1/2 frequency division ratio 	4.5 to 5.5		1.4	5.3	
	IDDOP(8)		<ul style="list-style-type: none"> • System clock set to 1MHz with frequency variable RC oscillation • 1/2 frequency division ratio 	2.5 to 4.5		0.9	3.9	
	IDDOP(9)		<ul style="list-style-type: none"> • FmCF=0Hz (oscillation stopped) • FsX'tal=32.768kHz crystal oscillation mode • System clock set to 32.768kHz side • Internal RC oscillation stopped • Frequency variable RC oscillation stopped • 1/2 frequency division ratio 	4.5 to 5.5		34	90	μA
	IDDOP(10)		<ul style="list-style-type: none"> • Internal RC oscillation stopped • Frequency variable RC oscillation stopped • 1/2 frequency division ratio 	2.5 to 4.5		23	70	

Note 7-1: The consumption current value includes none of the currents that flow into the output Tr and internal pull-up resistors.

Continued on next page.

LC87F5G32A

Continued from preceding page.

Parameter	Symbol	Pin/ remarks	Conditions	Specification				
				V _{DD} [V]	min	typ	max	unit
HALT mode consumption current (Note 7-1)	IDDHALT(1)	V _{DD1} =V _{DD2} =V _{DD3}	<ul style="list-style-type: none"> • HALT mode • FmCF=10MHz ceramic oscillation mode • FsX'tal=32.768kHz crystal oscillation mode • System clock set to 10MHz side • Internal RC oscillation stopped • Frequency variable RC oscillation stopped • 1/1 frequency division ratio 	4.0 to 5.5		3.1	6	mA
	IDDHALT(2)		<ul style="list-style-type: none"> • HALT mode • CF1=20MHz external clock • FsX'tal=32.768kHz crystal oscillation mode • System clock set to CF1 side • Internal RC oscillation stopped • Frequency variable RC oscillation stopped • 1/2 frequency division ratio 	4.0 to 5.5		4	9	
	IDDHALT(3)		<ul style="list-style-type: none"> • HALT mode • FmCF=5MHz ceramic oscillation mode • FsX'tal=32.768kHz crystal oscillation mode • System clock set to 5MHz side • Internal RC oscillation stopped • Frequency variable RC oscillation stopped • 1/1 frequency division ratio 	4.5 to 5.5		1.9	4.1	
	IDDHALT(4)		<ul style="list-style-type: none"> • HALT mode • FmCF=0Hz (oscillation stopped) • FsX'tal=32.768kHz crystal oscillation mode • System clock set to internal RC oscillation • Frequency variable RC oscillation stopped • 1/2 frequency division ratio 	2.5 to 4.5		1.3	3.0	
	IDDHALT(5)		<ul style="list-style-type: none"> • HALT mode • FmCF=0Hz (oscillation stopped) • FsX'tal=32.768kHz crystal oscillation mode • System clock set to internal RC oscillation • Frequency variable RC oscillation stopped • 1/2 frequency division ratio 	4.5 to 5.5		0.35	1.4	
	IDDHALT(6)		<ul style="list-style-type: none"> • HALT mode • FmCF=0Hz (oscillation stopped) • FsX'tal=32.768kHz crystal oscillation mode • System clock set to 1MHz with frequency variable RC oscillation • 1/2 frequency division ratio 	2.5 to 4.5		0.25	0.95	
	IDDHALT(7)		<ul style="list-style-type: none"> • HALT mode • FmCF=0Hz (oscillation stopped) • FsX'tal=32.768kHz crystal oscillation mode • Internal RC oscillation stopped • System clock set to 1MHz with frequency variable RC oscillation • 1/2 frequency division ratio 	4.5 to 5.5		1.1	4	
	IDDHALT(8)		<ul style="list-style-type: none"> • HALT mode • FmCF=0Hz (oscillation stopped) • FsX'tal=32.768kHz crystal oscillation mode • System clock set to 32.768kHz side • Internal RC oscillation stopped • Frequency variable RC oscillation stopped • 1/2 frequency division ratio 	4.5 to 5.5		20	51	
	IDDHALT(9)		<ul style="list-style-type: none"> • HALT mode • FmCF=0Hz (oscillation stopped) • FsX'tal=32.768kHz crystal oscillation mode • System clock set to 32.768kHz side • Internal RC oscillation stopped • Frequency variable RC oscillation stopped • 1/2 frequency division ratio 	2.5 to 4.5		18	35	
	IDDHALT(10)		<ul style="list-style-type: none"> • HALT mode • FmCF=0Hz (oscillation stopped) • FsX'tal=32.768kHz crystal oscillation mode • System clock set to 32.768kHz side • Internal RC oscillation stopped • Frequency variable RC oscillation stopped • 1/2 frequency division ratio 	2.5 to 4.5		18	35	
HOLD mode consumption current	IDDHOLD(1)	V _{DD1}	<ul style="list-style-type: none"> • HOLD mode • CF1=V_{DD} or open (External clock mode) 	4.5 to 5.5		0.04	11	μA
	IDDHOLD(2)		<ul style="list-style-type: none"> • HOLD mode • CF1=V_{DD} or open (External clock mode) 	2.5 to 4.5		0.01	8	
Timer HOLD mode consumption current	IDDHOLD(3)	V _{DD1}	<ul style="list-style-type: none"> • Timer HOLD mode • CF1=V_{DD} or open (External clock mode) 	4.5 to 5.5		17	50	
	IDDHOLD(4)		<ul style="list-style-type: none"> • Timer HOLD mode • CF1=V_{DD} or open (External clock mode) • FsX'tal=32.768kHz crystal oscillation mode 	2.5 to 4.5		12	30	

Note 7-1: The consumption current value includes none of the currents that flow into the output Tr and internal pull-up resistors.

LC87F5G32A

F-ROM Programming Characteristics at Ta = +10°C to +55°C, VSS1 = VSS2 = VSS3 = 0V

Parameter	Symbol	Pin/Remarks	Conditions	Specification				
				V _{DD} [V]	min	typ	max	unit
Onboard programming current	IDDFW	V _{DD1}	<ul style="list-style-type: none"> 128-byte programming Erasing current included 	3.0 to 5.5		25	40	mA
Programming time	tFW		<ul style="list-style-type: none"> 128-byte programming Erasing current included Time for setting up 128-byte data is excluded. 	3.0 to 5.5		22.5	45	ms

UART (Full duplex) Operating Conditions at Ta = -30°C to +70°C, VSS1 = VSS2 = VSS3 = 0V

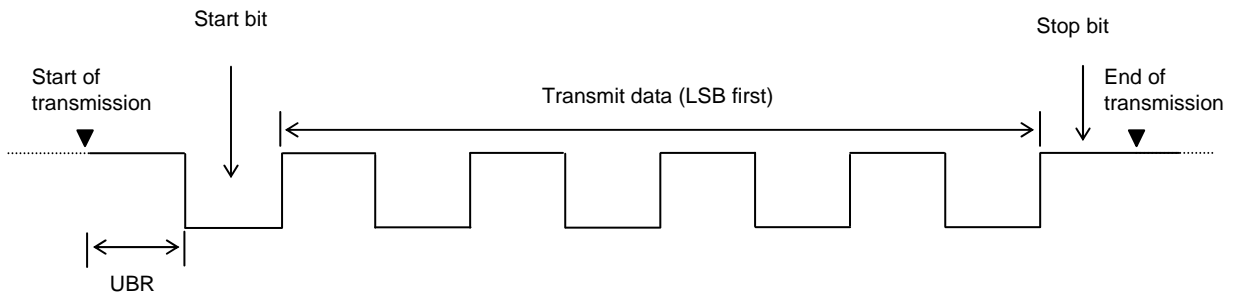
Parameter	Symbol	Pin/Remarks	Conditions	Specification				
				V _{DD} [V]	min	typ	max	unit
Transfer rate	UBR	P20, P21		2.5 to 5.5	16/3		8192/3	tCYC

Data length: 7, 8, and 9 bits (LSB first)

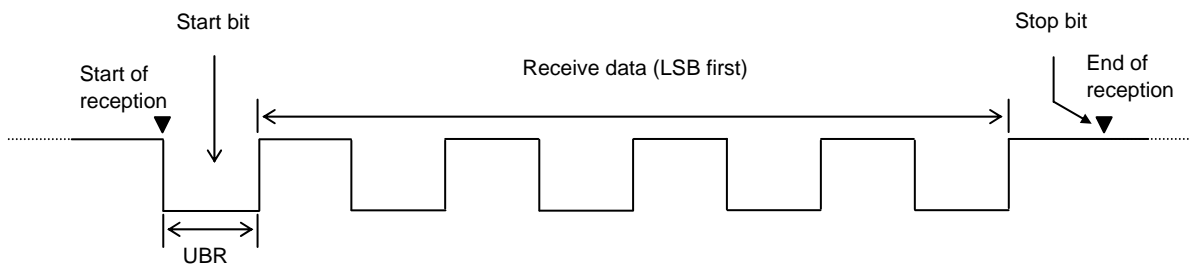
Stop bits: 1-bit (2-bit in continuous data transmission)

Parity bits: Non

Example of Continuous 8-bit Data Transmission Mode Processing (first transmit data=55H)



Example of Continuous 8-bit Data Reception Mode Processing (first receive data=55H)



Characteristics of a Sample Main System Clock Oscillation Circuit

Given below are the characteristics of a sample main system clock oscillation circuit that are measured using a Our designated oscillation characteristics evaluation board and external components with circuit constant values with which the oscillator vendor confirmed normal and stable oscillation.

Table 1 Characteristics of a Sample Main System Clock Oscillator Circuit with a Ceramic Oscillator

Nominal Frequency	Vendor Name	Oscillator Name	Circuit Constant				Operating Voltage Range [V]	Oscillation Stabilization Time		Remarks
			C1 [pF]	C2 [pF]	Rf [Ω]	Rd1 [Ω]		typ [ms]	max [ms]	
10MHz	MURATA	CSTCE10M0G52-R0	(10)	(10)	Open	680	4.0 to 5.5	0.1	0.5	Internal C1, C2 (SMD type)
		CSTCE10M0G52-B0	(10)	(10)	Open	680	4.0 to 5.5	0.1	0.5	
8MHz	MURATA	CSTCE8M00G52-R0	(10)	(10)	Open	1.0k	3.0 to 5.5	0.1	0.5	Internal C1, C2 (SMD type)
		CSTCE8M00G52-B0	(10)	(10)	Open	1.0k	3.0 to 5.5	0.1	0.5	
5MHz	MURATA	CSTCR5M00G53-R0	(15)	(15)	Open	2.2k	2.5 to 5.5	0.2	0.6	Internal C1, C2 (SMD type)
		CSTCR5M00G53-B0	(15)	(15)	Open	2.2k	2.5 to 5.5	0.2	0.6	

The oscillation stabilization time refers to the time interval that is required for the oscillation to get stabilized after VDD goes above the operating voltage lower limit (see Figure 4).

It is recommended to insert feedback resistor(Rf: 1MΩ) when power supply voltage is used around 2.5V.

Characteristics of a Sample Subsystem Clock Oscillator Circuit

Given below are the characteristics of a sample subsystem clock oscillation circuit that are measured using a Our designated oscillation characteristics evaluation board and external components with circuit constant values with which the oscillator vendor confirmed normal and stable oscillation.

Table 2 Characteristics of a Sample Subsystem Clock Oscillator Circuit with a Crystal Oscillator

Nominal Frequency	Vendor Name	Oscillator Name	Circuit Constant				Operating Voltage Range [V]	Oscillation Stabilization Time		Remarks
			C3 [pF]	C4 [pF]	Rf [Ω]	Rd2 [Ω]		typ [s]	max [s]	
32.768kHz	EPSON TOYOCOM	MC-306	18	18	Open	510k	2.5 to 5.5	1.1	3.0	Applicable CL value=12.5pF

The oscillation stabilization time refers to the time interval that is required for the oscillation to get stabilized after the instruction for starting the subclock oscillation circuit is executed and to the time interval that is required for the oscillation to get stabilized after the HOLD mode is reset (see Figure 4).

Note: The components that are involved in oscillation should be placed as close to the IC and to one another as possible because they are vulnerable to the influences of the circuit pattern.

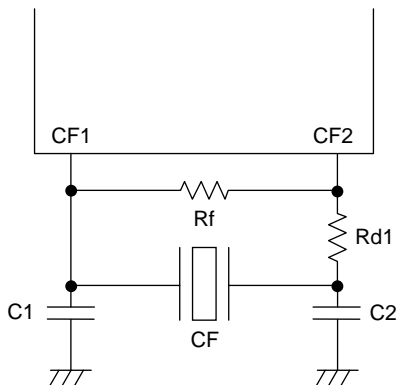


Figure 1 CF Oscillator Circuit

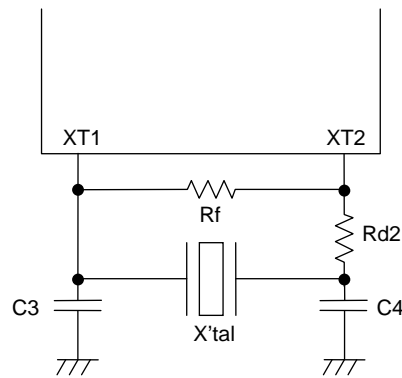


Figure 2 XT Oscillator Circuit

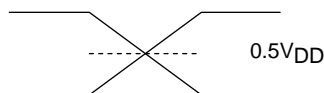
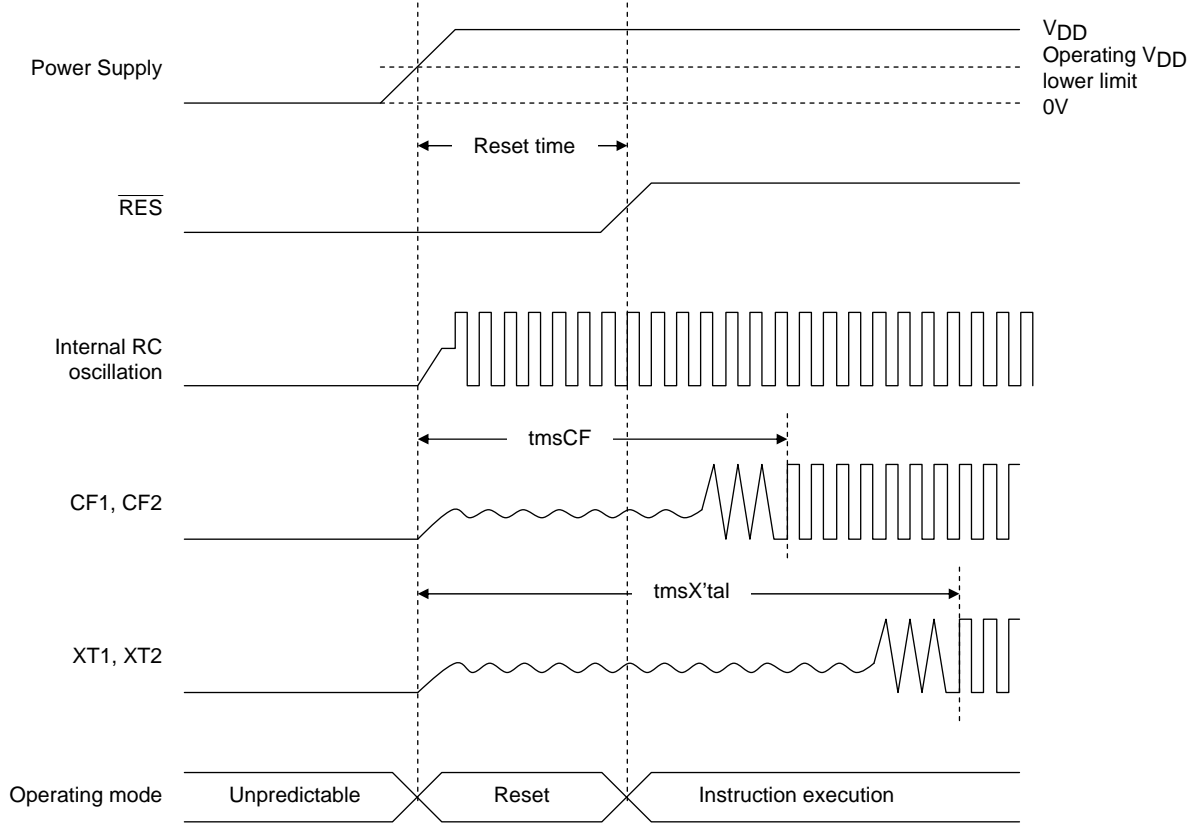
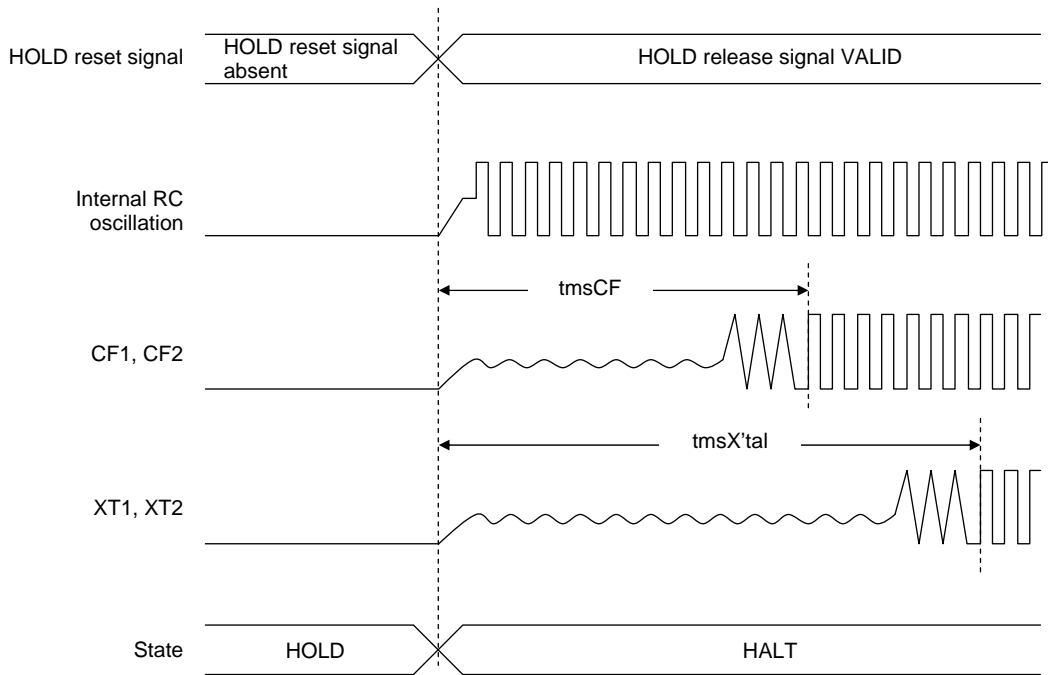


Figure 3 AC Timing Measurement Point

LC87F5G32A

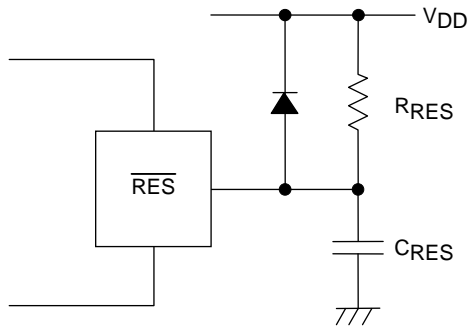


Reset Time and Oscillation Stabilization Time



HOLD Reset Signal and Oscillation Stabilization Time

Figure 4 Oscillation Stabilization Times



(Note)
 Determine the value of C_{RES} and R_{RES} so that the reset signal is present for a period of 200 μ s after the supply voltage goes beyond the lower limit of the IC's operating voltage.

Figure 5 Reset Circuit

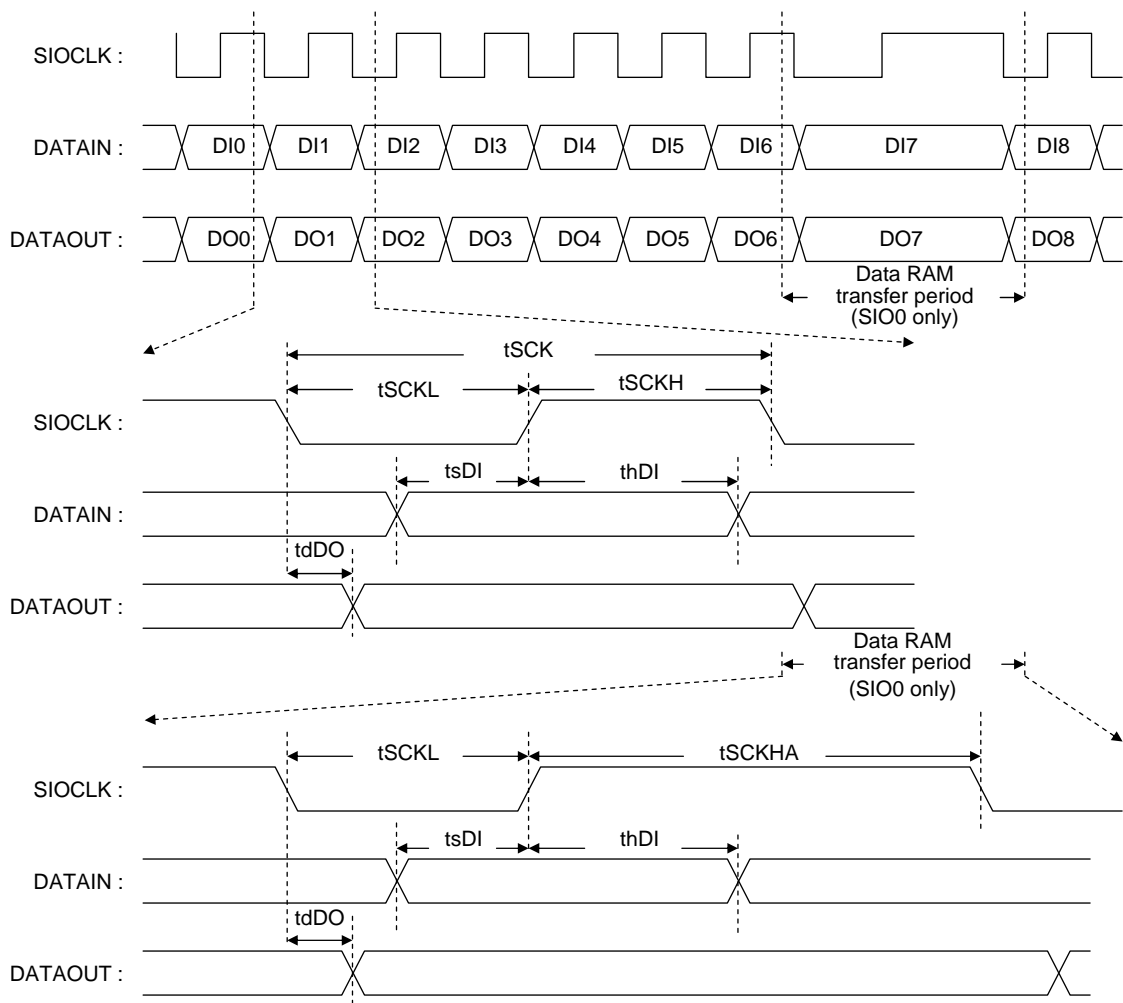


Figure 6 Serial I/O Output Waveforms

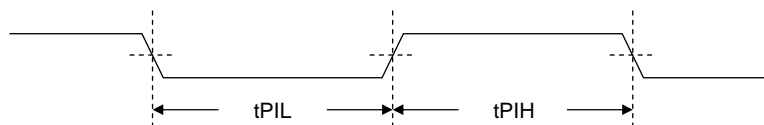


Figure 7 Pulse Input Timing Signal Waveform

ON Semiconductor and the ON logo are registered trademarks of Semiconductor Components Industries, LLC (SCILLC). SCILLC owns the rights to a number of patents, trademarks, copyrights, trade secrets, and other intellectual property. A listing of SCILLC's product/patent coverage may be accessed at www.onsemi.com/site/pdf/Patent-Marking.pdf. SCILLC reserves the right to make changes without further notice to any products herein. SCILLC makes no warranty, representation or guarantee regarding the suitability of its products for any particular purpose, nor does SCILLC assume any liability arising out of the application or use of any product or circuit, and specifically disclaims any and all liability, including without limitation special, consequential or incidental damages. "Typical" parameters which may be provided in SCILLC data sheets and/or specifications can and do vary in different applications and actual performance may vary over time. All operating parameters, including "Typicals" must be validated for each customer application by customer's technical experts. SCILLC does not convey any license under its patent rights nor the rights of others. SCILLC products are not designed, intended, or authorized for use as components in systems intended for surgical implant into the body, or other applications intended to support or sustain life, or for any other application in which the failure of the SCILLC product could create a situation where personal injury or death may occur. Should Buyer purchase or use SCILLC products for any such unintended or unauthorized application, Buyer shall indemnify and hold SCILLC and its officers, employees, subsidiaries, affiliates, and distributors harmless against all claims, costs, damages, and expenses, and reasonable attorney fees arising out of, directly or indirectly, any claim of personal injury or death associated with such unintended or unauthorized use, even if such claim alleges that SCILLC was negligent regarding the design or manufacture of the part. SCILLC is an Equal Opportunity/Affirmative Action Employer. This literature is subject to all applicable copyright laws and is not for resale in any manner.

X-ON Electronics

Largest Supplier of Electrical and Electronic Components

Click to view similar products for [8-bit Microcontrollers - MCU category](#):

Click to view products by [ON Semiconductor manufacturer](#):

Other Similar products are found below :

[009936B](#) [CY8C20524-12PVXIT](#) [CY8C28433-24PVXIT](#) [MB95F012KPFT-G-SNE2](#) [MB95F013KPMC-G-SNE2](#) [MB95F263KPF-G-SNE2](#)
[MB95F264KPFT-G-SNE2](#) [MB95F398KPMC-G-SNE2](#) [MB95F478KPMC2-G-SNE2](#) [MB95F562KPF-G-SNE2](#) [MB95F564KPF-G-SNE2](#)
[MB95F634KPMC-G-SNE2](#) [MB95F636KWQN-G-SNE1](#) [MB95F696KPMC-G-SNE2](#) [MB95F698KPMC1-G-SNE2](#) [MB95F698KPMC2-G-](#)
[SNE2](#) [MB95F698KPMC-G-SNE2](#) [MB95F818KPMC1-G-SNE2](#) [MC908JK1ECDWER](#) [MC9S08PA32AVLD](#) [MC9S08PT60AVLD](#)
[R5F1076CMSPV0](#) [R5F5631ECDFBV0](#) [C8051F389-B-GQ](#) [C8051F392-A-GMR](#) [ISD-ES1600_USB_PROG](#) [901015X](#) [S9S08SL8F1CTJR](#)
[STM8TL53G4U6](#) [PIC16F877-04/P-B](#) [R5F10Y17ASP#30](#) [CY8C3MFIDOCK-125](#) [403708R](#) [MB95F354EPF-G-SNE2](#) [MB95F564KPFT-G-](#)
[SNE2](#) [MB95F564KWQN-G-SNE1](#) [MB95F636KP-G-SH-SNE2](#) [MB95F636KPMC-G-SNE2](#) [MB95F694KPMC-G-SNE2](#) [MB95F778JPMC1-](#)
[G-SNE2](#) [MB95F818KPMC-G-SNE2](#) [MC908QY8CDWER](#) [MC9S08PT16AVLD](#) [MC9S08PT32AVLH](#) [MC9S08PT60AVLC](#)
[MC9S08PT60AVLH](#) [C8051F500-IQR](#) [400801H](#) [LC87F0G08AUJA-AH](#) [026923G](#)