





IP67

WA
22


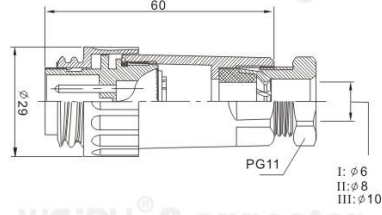




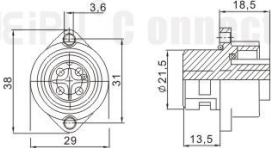

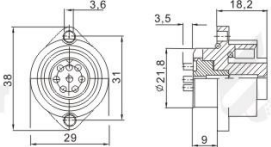

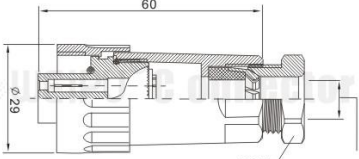



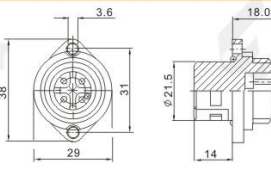

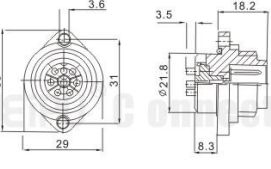

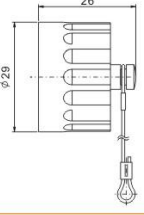

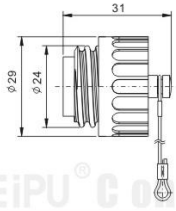
● **WA22 Series IP67**
Material and spec

spec		
Number of contact	3+PE	6+PE
Termination	Screw	Solder
Wire size	Max2. 5mm ² /AWG14	Max0. 75mm ² /AWG18
Rated voltage (V)	400V	250V
Rated current(A)	16A	10A
Contact diameter	∅1.5X4	∅2X7
Shell material	Nylon66, fire resistance : V-0	
Contact material	Brass with gold plating	
Cable outlet diameter	6, 8, 10mm	
IP rating	IP67	
Mating cycle	>500	
Temperature range	-25℃ ~ +85℃	
Insulation resistance MΩ	2000	
Test voltage(AC.V)1 min	2000V	
Contact resistance mΩ	2.5	



● **WA 22**

Part number	Description	Drawing
 WA22J4TE2	WA 22 male cable connector 3+PE, screw termination	
 WA22J7TE1	WA 22 male cable connector 6+PE, solder termination	

Part number	Description	Drawing
 WA22K4Z2	WA 22 female panel connector 3+PE, screw termination	
 WA22K7Z1	WA 22 female panel connector 6+PE, solder termination	
 WA22K4ZE2	WA 22 female cable connector 3+PE, screw termination	
 WA22K7ZE1	WA 22 female cable connector 6+PE, solder termination	
 WA22J4Z2	WA 22 male panel connector 3+PE, screw termination	
 WA22J7Z1	WA 22 male panel connector 6+PE, solder termination	
 WA22G1	Cap	
 WA22G2	Cap	

X-ON Electronics

Largest Supplier of Electrical and Electronic Components

Click to view similar products for [Circular Push Pull Connectors](#) category:

Click to view products by [Weipu](#) manufacturer:

Other Similar products are found below :

[FEA.1B.308.CYCD72Z](#) [D38999/20ZC8JA](#) [D38999/20ZG39BN](#) [D38999/20ZG41PN-LC](#) [D38999/20ZH21SA](#) [D38999/20ZH53SA](#)
[D38999/20ZJ24SA](#) [D38999/20ZJ29PA-LC](#) [D38999/20ZJ43HA](#) [D38999/20ZJ43PA-LC](#) [D38999/20ZJ61PA-LC](#) [D38999/24ZF11SA-LC](#)
[D38999/24ZF32BA](#) [D38999/24ZF32PA-LC](#) [D38999/24ZF32SA-LC](#) [D38999/24ZF35BA](#) [D38999/24ZF35SA-LC](#) [EXG.00.250.NTNY](#)
[FFA.00.250.CTAZ](#) [FFA.1S.302.CLAZ](#) [FFA.1Y.410.CTAC52](#) [FFA.2S.310.ZLA](#) [FFG.1B.302.CLAD52Z](#) [FFG.1B.304.CLAD42Z](#)
[FFG.1B.304.CLAD72Z](#) [FFG.1B.308.CLAD42Z](#) [FGA.1B.304.CLAD62Z](#) [FGA.1B.304.CYCD72Z](#) [FGA.1B.305.CLAD76](#)
[FGA.1B.306.CYCD72](#) [FGA.1B.307.CYCD72Z](#) [FGA.1B.308.CLAD76Z](#) [FGA.1B.308.CYCD42Z](#) [FGA.1B.308.CYCD52Z](#)
[FGA.1B.308.CYCD72Z](#) [FGA.1B.310.CLAD42](#) [FGA.1B.310.CLAD52Z](#) [FGA.1B.316.CLAD42](#) [FGA.1B.316.CLAD62Z](#)
[FGA.1B.316.CLAD76](#) [FGB.0B.307.CYCD31Z](#) [FGB.1B.302.CLAD72](#) [FGB.1B.303.CYCD62](#) [FGB.1B.305.CLAZ](#) [FGB.1B.307.CYCD62Z](#)
[FGB.1B.316.CLAD42](#) [FGC.0B.309.CLAD56](#) [FGC.1B.304.CLAD52Z](#) [FGC.1B.305.CLAD52Z](#) [FGC.1B.308.CLAD42](#)