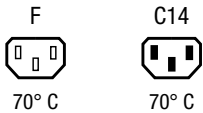


Distribution Unit for Screw-on Mounting with 1 IEC Appliance Inlet C14 and 1 Connector F



**Description**

- Panel Mount:  
Screw-on mounting, from front side
- 1 Function:  
appliance inlet/-outlet, Pin temperature 70 °C Protection class I Solder terminals or quick connect terminals

**Approvals**

- UL File Number: E45115
- CSA File Number: 1894886

**References**

We recommend for new applications the type [0712](#)  
Last order date: 31.12.2013

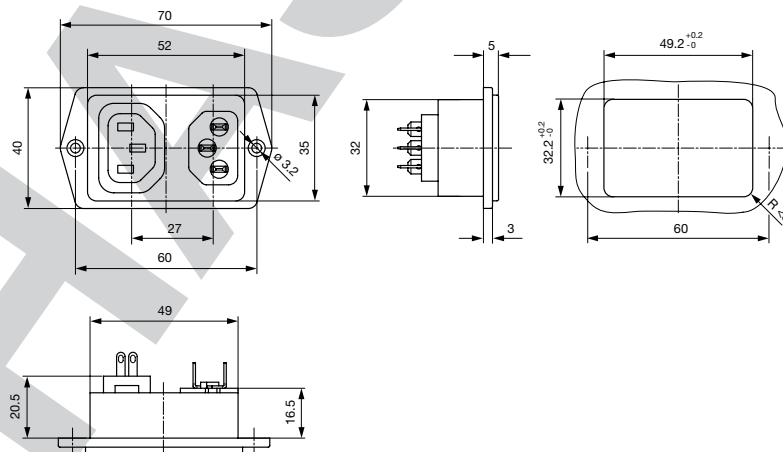
**Weblinks**

[pdf-datasheet](#), [html-datasheet](#), [General Product Information](#), [Approvals](#), [CE declaration of conformity](#), [RoHS](#), [CHINA-RoHS](#), [REACH](#), [Mating Connectors](#), [e-Shop](#), [SCHURTER-Stock-Check](#), [Distributor-Stock-Check](#), [CAD-Drawings](#), [Accessories](#), [Detailed request for product](#)

**Technical Data**

Ratings IEC	10 A / 250 VAC; 50 Hz	Appliance Inlet / Appliance Outlet	C14 acc. to IEC 60320 / F acc. to IEC 60320
Ratings UL/CSA	15 A / 250 VAC; 60 Hz		UL 498 CSA C22.2 no. 42 (for cold conditions) pin-temperature 70 °C, 10 A, Protection Class I
Dielectric Strength	> 4 kVAC between L-N > 2 kVAC between L/N-PE (1 min/50 Hz)	MTBF	> 200'000h acc. to MIL-HB-217 F
Allowable Operation Temp.	-25 °C to 70 °C		
Degree of Protection	from front side IP 20 acc. to IEC 60529		
Protection Class	Suitable for appliances with protection class I acc. to IEC 61140		
Terminal	Solder terminals or quick connect terminals		
Material: Housing	PA6, black / grey / white, UL 94V-0		

**Dimensions**



Length of the terminal please find at the order code configuration table

**Config. Code**

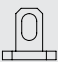
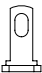


1050 - H - A B C 0 - D - E 00 M N O

The characters are placeholders for the correspondingly keys of selections from the key tables.

1050 - H - A B C 0 - D - E 00 M N O = Type

Type	Configuration key
protection class 1	X

1050 - H - A B C 0 - D - E 00 M N O = Terminals

Terminal L	Configuration key
short solder terminal (L = 4.8 mm) 	2
long solder terminal (L = 8.5 mm) 	3
Blade terminal (4.8 x 0.8 mm) 	8
Blade terminal (6.3 x 0.8 mm) 	9

1050 - H - A B C 0 - D - E 00 M N O = Terminals

Terminal N	Configuration key
short solder terminal (L = 4.8 mm)	2
long solder terminal (L = 8.5 mm)	3
Blade terminal (4.8 x 0.8 mm)	8
Blade terminal (6.3 x 0.8 mm)	9

Symbols similar as in table A

1050 - H - A B C 0 - D - E 00 M N O = Terminals

Terminal Ground	Configuration key
short solder terminal (L = 4.8 mm)	2
long solder terminal (L = 8.5 mm)	3
Blade terminal (4.8 x 0.8 mm)	8

Symbols similar as in table A

Terminal Ground	Configuration key
Blade terminal (6.3 x 0.8 mm)	9

Symbols similar as in table A

1050 - H - A B C 0 - D - E 00 M N O = Color

Color	Configuration key
Black	A

1050 - H - A B C 0 - D - E 00 M N O = Style

Style	Configuration key
flange with countersunk holes	1

1050 - H - A B C 0 - D - E 00 M N O = Terminal Connector PEM

Terminal L	Configuration key
solder terminal	1
Blade terminal (6.3 x 0.8 mm)	9

1050 - H - A B C 0 - D - E 00 M N O = Terminal Connector PEM

Terminal N	Configuration key
solder terminal	1
Blade terminal (6.3 x 0.8 mm)	9

1050 - H - A B C 0 - D - E 00 M N O = Terminal Connector PEM

Terminal Ground	Configuration key
solder terminal	1
Blade terminal (6.3 x 0.8 mm)	9

All Variants

Config. Code	Description	Order Number
1050-X-2220-A-100111	1050, IEC Distribution Unit C14 + F, 70°CI, L: short solder terminal (L = 4.8 mm), N: short solder terminal (L = 4.8 mm), ground: short solder terminal (L = 4.8 mm), terminals outlet L: solder terminal, terminals outlet L: solder terminal, ground: solder terminal, color: Black, design:	4304.6001
1050-X-9990-A-100999	1050, IEC Distribution Unit C14 + F, 70°CI, L: Blade terminal (6.3 x 0.8 mm), N: Blade terminal (6.3 x 0.8 mm), ground: Blade terminal (6.3 x 0.8 mm), terminals outlet L: Blade terminal (6.3 x 0.8 mm), terminals outlet L: solder terminal, ground: Blade terminal (6.3 x 0.8 mm), color: Black, design:	4304.6002

The listed variants should be available from stock. Other versions on request [www.schurter.com/contact](http://www.schurter.com/contact)

Availability for all products can be searched real-time: <http://www.schurter.com/en/Stock-Check/Stock-Check-SCHURTER>

Packaging unit 50 Pcs

## X-ON Electronics

Largest Supplier of Electrical and Electronic Components

*Click to view similar products for [AC Power Entry Modules](#) category:*

*Click to view products by [Schurter](#) manufacturer:*

Other Similar products are found below :

[0098.0050](#) [6-1609987-9](#) [6167.0002](#) [7-6609955-2](#) [FN389-4-22](#) [FN9233ER-12-06](#) [FN9233S1-10-06](#) [FN9233S1-8-06](#) [FN9233S1B-8-06](#)  
[FN9233S1R-1-06](#) [FN9233S1R-12-06](#) [FN9233SB-1-06](#) [FN9233SB-12-06](#) [FN9233SB-8-06](#) [FN9233SR-10-06](#) [FN9233SR-3-06](#) [FN9244B-15-06HI](#) [FN9244EB-3-06](#) [FN9244EB-8-06](#) [FN9244ER-15-06](#) [FN9244ER-8-06](#) [FN9244ES1-8-06](#) [FN9244ESB-8-06](#) [FN9244EU-6-06](#)  
[FN9244R-12-06](#) [FN9244R-3-07](#) [FN9244R-8-06](#) [FN9244S1-10-06](#) [FN9244S1-12-06](#) [FN9244S1-3-06](#) [FN9244S1B-6-06](#) [FN9244S1R-3-06](#)  
[FN9244S-6-06](#) [FN9244SB-10-06](#) [FN9244SB-6-06](#) [FN9244SB-8-06](#) [FN9244SR-10-06](#) [FN9244SR-6-06](#) [FN9244U-3-06](#) [FN9244U-8-06](#)  
[FN9260A-6-06](#) [PE00SSSXB](#) [Fuse-H-EUR-1](#) [Fuse-H-USA-1](#) [PM00XD000](#) [PS0SSDBX0](#) [PS0SXSH3B](#) [A-0701-HT-H](#) [RAPC3FG](#) [15EJMS8](#)