

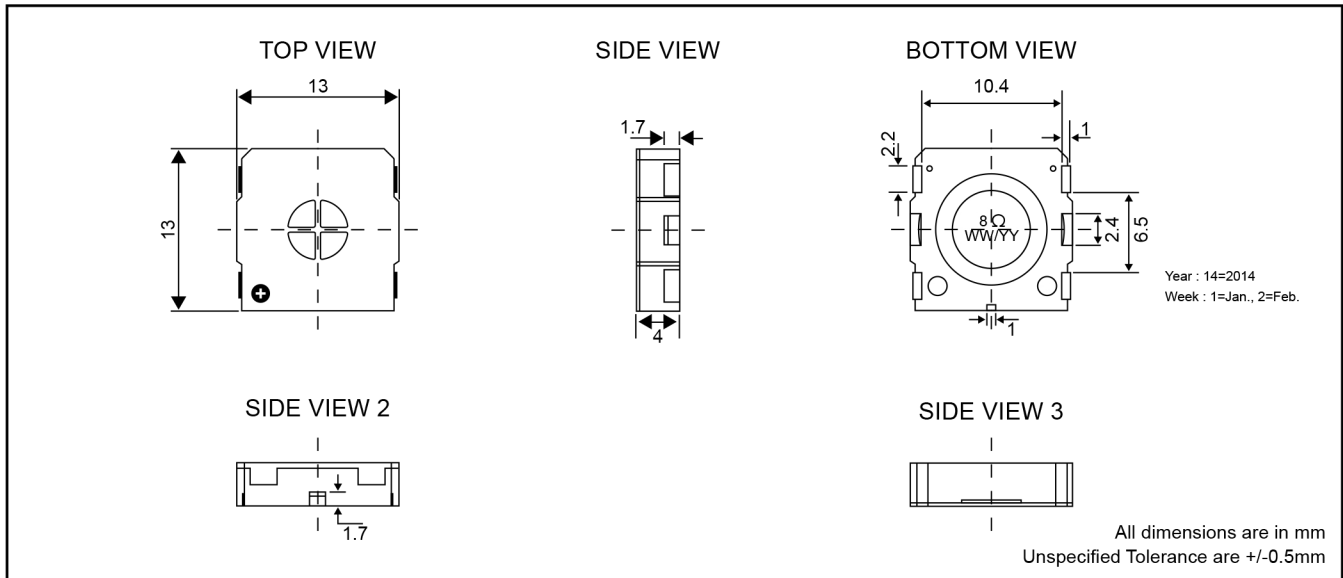
SMD Speaker

MSM1313 Series



DIMENSIONS

Date : 28 Oct.,2015



Ref. no. : CX051-4R

Remark : Laser jet top marking



ELECTRICAL SPECIFICATIONS

| | |
|-----------------------|-------------------------------------------------------------|
| Model No. | LD-BZEL-M1313 |
| Diameter | 13 x 13 +/-0.5 mm |
| Height | 4 +/- 0.5 mm |
| Output S.P.L. | 88+/- 3 dB [At 0.7W, 0.1m ave. 1.0K, 1.6K, 2.0K, 3.2K Hz] |
| Impedance | 8 ohm +/- 15% |
| Resonant Freq. [Fo] | 850 Hz +/- 20 % |
| Freq. Response | Fo ~ 20K Hz |
| Rated Input Power | 0.7 W |
| Max. Input Power | 1.0 W |
| Buzzer & Rattles | Must Be Normal [Sine Wave 2.36 V. Fo ~ 20KHz] |
| Load Test | Must Be Normal [White Noise 0.7 W, 96 Hours] |
| Heat Test | Must Be Normal [85 +/- 3 °C, 96 Hours] |
| Cold Test | Must Be Normal [-40 +/- 3 °C, 96 Hours] |
| Humidity Test | 40 +/- 3 °C, 92 ~ 95% R.H. 96 Hours |
| Case Material | Plastic |
| Magnet | Internal Magnet - SmCo |
| Operating Temperature | -30 ~ +85 °C |
| Storage Temperature | -40 ~ +85 °C |
| Weight | 1.1 g |

X-ON Electronics

Largest Supplier of Electrical and Electronic Components

Click to view similar products for [Speakers & Transducers](#) category:

Click to view products by [Loudity](#) manufacturer:

Other Similar products are found below :

[AS02016MR-2-R](#) [PB-1220PE](#) [PB-2015PQ](#) [900-00001](#) [SMT-2240-TW-2-R](#) [SWFK-31736-000](#) [PT-2065FW](#) [PT-4175W](#) [AT-2830-TW-LW35-R](#) [ED-30761-000](#) [ED-31305-163](#) [CI-30120-A42](#) [TWFK-23991-000](#) [PB-0927PQ](#) [BF-7083-000](#) [AB6505B](#) [AS01708MR-SC-2-R](#) [AT-5030-TF-2-LW100-R](#) [AST-03008MR-R](#) [AS04008PS-4W-R](#) [AS01308MR-2-R](#) [AS01808AO-WP-R](#) [AS01508MR-6-R](#) [AS07108PO-R](#) [AS07708PS-2-WR-R](#) [AS07104PO-R](#) [SMS2020-08H4.5 LF](#) [BDT1717-08H6.5W56MLF](#) [SMS-2008MS-R](#) [AS04008PS-4W-WR-R](#) [AS06608PS-WR-R](#) [BLS50-1-08H18.2B-03 LF](#) [AS07008PO-2-R](#) [AS03008MR-R](#) [AS04008CO-2-R](#) [AS04008PR-WR-R](#) [ASE03008MR-LW150-R](#) [AS01808MR-LW152-R](#) [AS01808MR-R](#) [AS03608MR-4-R](#) [AS06608PS-R](#) [AS07708PS-2-R](#) [ASE06008MR-LW150-R](#) [ASE02008MR-LW150-R](#) [AST-1732MR-R](#) [SMS-1508MS-2-R](#) [AS05708MR-R](#) [AS05008MR-R](#) [APS3008S-R](#) [AS02008MR-R](#)