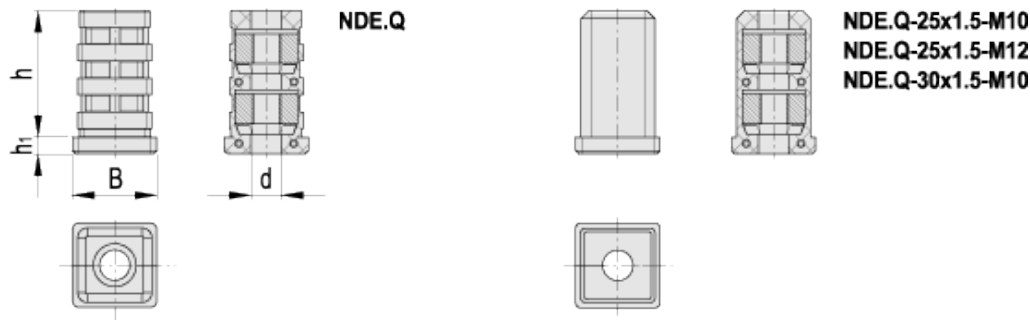


NDE.Q

Square tube expander end-caps



technical informations

End-cap

Polyamide (PA) based technopolymer. Resistant to solvents, oils, greases and other chemical agents.

Colour

Black, matte finish.

Features and applications

The two end-cap parts are connected together by means of three pins which are housed in special counter-seats. Two cavities inside the endcap are provided for housing two hexagonal nuts DIN 934. Thanks to the tapered shape of the cavity, the end-cap exerts a pressure on the inner walls of the tube, due to the tightening of the nuts, thus ensuring the tensile strength of the connection. The level of the tensile strength depends on the tube dimensional tolerances, the roughness of the tube inner surfaces and the tightening torque applied.

The end-cap enables the joining of square tubes with other elements or the installation of wheels or levelling elements with locking nut. The installation of a simple levelling element does not enable the expansion of the end-cap: for this kind of applications the use of NDL.Q end-caps is a more proper alternative.

The assembly can be performed simply by positioning the end-cap inside the tube, with no need of screws or other fasteners.

Special executions on request

End-cap without nuts or assembled with only one nut DIN 934.



Standard Elements		Main dimensions				Tube dimensions			Max limit static load*	Weight
Code	Description	B	h	h ₁	d	External	Thickness	Internal	[N]	g
430751	NDE.Q-20x1.5-M8	20	37	5	M8	20	1.5	17	3000	17
430761	NDE.Q-25x1.5-M8	25	36	5	M8	25	1.5	22	3000	23
430763	NDE.Q-25x1.5-M10	25	37	5	M10	25	1.5	22	3000	33
430765	NDE.Q-25x1.5-M12	25	37	5	M12	25	1.5	22	3000	41
430771	NDE.Q-30x1.5-M8	30	37	5	M8	30	1.5	27	3000	32
430773	NDE.Q-30x1.5-M10	30	37	5	M10	30	1.5	27	3000	44
430775	NDE.Q-30x2-M8	30	37	5	M8	30	2	26	3000	31
430777	NDE.Q-30x2-M10	30	37	5	M10	30	2	26	3000	42
430781	NDE.Q-35x1.6-M10	35	37	5	M10	35	1.6	31.8	3000	49
430783	NDE.Q-35x2-M10	35	37	5	M10	35	2	31	3000	49
430791	NDE.Q-40x1.5-M10	40	37	5	M10	40	1.5	37	3000	58
430793	NDE.Q-40x2-M10	40	37	5	M10	40	2	36	3000	59
430795	NDE.Q-40x2-M12	40	37	5	M12	40	2	36	3000	65
430797	NDE.Q-40x3-M10	40	37	5	M10	40	3	34	3000	55
430801	NDE.Q-50x1.5-M10	50	37	5	M10	50	1.5	47	3000	86
430803	NDE.Q-50x1.5-M12	50	37	5	M12	50	1.5	47	3000	93
430805	NDE.Q-50x2-M12	50	37	5	M12	50	2	46	3000	90
430811	NDE.Q-60x2-M10	60	33	5	M10	60	2	56	3000	115
430813	NDE.Q-60x2.5-M10	60	36	5	M10	60	2.5	55	3000	107

* The max limit static load is the value above which the load applied to the element may cause some plastic material breakage, under particular conditions of use. Obviously, a factor that takes into consideration the importance and the safety level of the specific application must be applied to this value. The values shown in the table refer to the use of the end-cap in combination with a steel tube. The use of an aluminum tube may cause a decrease in the max limit static load equal to 25% due to possible deformations of the tube section under load.



ELESA and GANTER models all rights reserved in accordance with the law. Always mention the source when reproducing our drawings.

STANDARD MACHINE ELEMENTS WORLDWIDE

X-ON Electronics

Largest Supplier of Electrical and Electronic Components

Click to view similar products for [Mounting Fixings](#) category:

Click to view products by [Elesa & Ganter](#) manufacturer:

Other Similar products are found below :

[5912235-2](#) [007310](#) [007541](#) [6-141-P](#) [620HA038NF09](#) [620HA038NF11](#) [CTJ420E028-513](#) [M81714/60-12-01](#) [M81714/60-22-01](#) [L/C](#)
[MA1EAF1200](#) [70-584649-01P](#) [71-074914-006](#) [71-215091-8S](#) [712HA170B23128-N](#) [71-344699-4S](#) [71-441549-19S](#) [71-441864-5S](#) [71-](#)
[490451-4H](#) [EX-13-3-B-16-325PN](#) [75-69116-8S](#) [75-69211-3P](#) [75-69220-27S](#) [75-69224-5S](#) [75-69614-2S](#) [770-006A109](#) [770-006A109R](#) [770-](#)
[006A207](#) [770-006A208W1](#) [770-006A209](#) [770-006A306](#) [770-006A703W1](#) [770-006A704](#) [770-006A704W1](#) [770-006A705](#) [770-006A706](#)
[770-006A706W1](#) [770-006A707](#) [770-006A709](#) [770-007A203](#) [770-007A203W1](#) [770-007A204W1](#) [770-007A207W1](#) [770-007A703](#) [770-](#)
[007A704W1](#) [770-007A706](#) [770-007A707W1](#) [770-010Y208](#) [770-010Y308](#) [770-010Y705](#) [770-010Y706](#)