

# CONDUCTIVE POLYMER ALUMINUM ELECTROLYTIC CAPACITORS



## FA Chip type, With Conductive Polymer Series

- Low ESR, high ripple current
- Designed for surface mounting on high density PC board
- Load life for 2000 hours at 105°C
- Complied to the RoHS directive

**Hi-CAP**



Item	Characteristics	
Operating temperature range	-55 ~ +105°C	
Leakage current max.*	Less than or equal to the value of Table1	
Capacitance tolerance	±20% at 120Hz, 20°C	
Dissipation factor max.	Less than or equal to the value of Table1	
ESR	Less than or equal to the value of Table1	
Temperature characteristics (Impedance ratio at 100kHz)	Z-55°C / Z+20°C	Z+105°C / Z+20°C
	0.75 ~ 1.25	0.75 ~ 1.25
Load life (after application of the rated voltage for 2000 hours at 105°C, In case of 25WV is applied 20V)	Leakage current	Less than specified value
	Capacitance change	Within ±20% of initial value
	tanδ	Less than 150% of specified value
Resistance to soldering heat (Refer to Page 35 for soldering recommendation)	Leakage current	Less than specified value
	Capacitance change	Within ±10% of initial value
	tanδ	Less than 130% of specified value

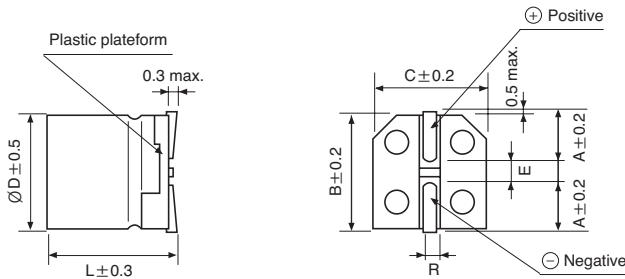
\* In case of some problems for measured values, measure after applying rated voltage for 2.5 to 20V products or 20V derating voltage for 25V products for 120 minutes at 105°C.

SOLID TYPES

### ● DRAWING

Unit : mm

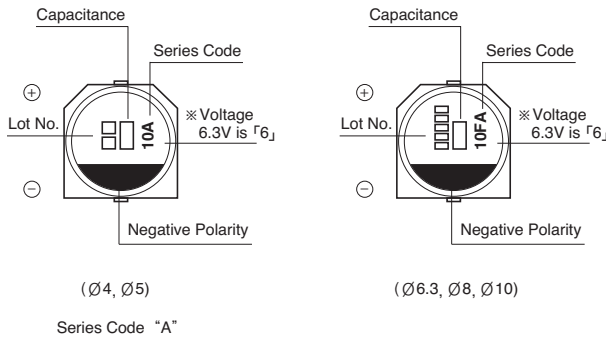
#### < Dimensions >



### ● PART NUMBER SYSTEM (See Page 52)

Size	ØD	L	B	C	E	A	R
4×5.4	4	5.4	4.3	4.3	1.0	1.9	0.5~0.8
5×5.9	5	5.9	5.3	5.3	1.4	2.2	0.5~0.8
6.3×5.9	6.3	5.9	6.6	6.6	2.2	2.45	0.5~0.8
8×6.9	8	6.9	8.3	8.3	3.2	2.9	0.5~0.8
8×11.9	8	11.9	8.3	8.3	3.2	2.9	0.8~1.1
10×7.9	10	7.9	10.3	10.3	4.6	3.2	0.8~1.1
10×12.6	10	12.6	10.3	10.3	4.6	3.2	0.8~1.1

#### < Marking >



## CONDUCTIVE POLYMER ALUMINUM ELECTROLYTIC CAPACITORS

### FA Series

● Table 1. FA(SMD type) Series Characteristics List

WV	μF	∅D(mm)	L(mm)	ESR(mΩ)max. 100~300kHz	Ripple current (mA rms)at 105°C 100kHz	Dissipation factor 120Hz	Leakage Current (μA)(max.) after 2 minutes
2.5	220	6.3	5.9	23	2390	0.12	110
2.5	680	8	11.9	13	4520	0.15	340
2.5	1500	10	12.6	12	5440	0.18	750
4	33	4	5.4	200	740	0.15	66
4	39	5	5.9	70	1100	0.12	78
4	68	5	5.9	60	1400	0.12	136
4	150	6.3	5.9	40	1810	0.12	120
4	150	8	6.9	35	2560	0.12	120
4	330	8	6.9	35	2560	0.12	264
4	560	8	11.9	13	4520	0.15	448
4	680	10	7.9	25	3700	0.12	544
4	1200	10	12.6	12	5440	0.18	960
6.3	22	4	5.4	200	740	0.12	69.3
6.3	47	5	5.9	70	1100	0.12	148
6.3	82	6.3	5.9	45	1700	0.12	103
6.3	100	6.3	5.9	40	1810	0.12	126
6.3	120	6.3	5.9	17	2780	0.12	151
6.3	220	8	6.9	35	2560	0.12	277
6.3	220	10	7.9	25	3700	0.12	277
6.3	330	10	7.9	25	3700	0.12	416
6.3	470	10	7.9	25	3700	0.12	592
6.3	470	8	11.9	15	4210	0.12	592
6.3	820	10	12.6	12	5440	0.15	775
10	4.7	4	5.4	240	670	0.08	23.5
10	6.8	4	5.4	240	670	0.08	34
10	10	4	5.4	220	700	0.09	50
10	15	4	5.4	200	740	0.10	75
10	33	5	5.9	70	1100	0.10	165
10	47	6.3	5.9	50	1620	0.12	94
10	56	6.3	5.9	45	1700	0.12	112
10	120	8	6.9	35	2560	0.12	240
10	150	8	6.9	35	2560	0.12	300
10	150	10	7.9	30	3020	0.12	300
10	270	10	7.9	25	3700	0.12	540
10	330	10	7.9	25	3700	0.12	660
10	330	8	11.9	17	3950	0.15	660
10	560	10	12.6	13	5230	0.15	840
16	3.3	4	5.4	260	660	0.07	26.4
16	15	5	5.9	120	1020	0.10	120
16	22	5	5.9	90	1060	0.10	176
16	39	6.3	5.9	50	1620	0.10	125
16	56	8	6.9	45	1890	0.12	179
16	82	8	6.9	40	2120	0.12	262
16	100	10	7.9	35	2670	0.12	320
16	150	10	7.9	30	3020	0.12	480
16	180	10	7.9	30	3020	0.12	576
16	180	8	11.9	20	3640	0.15	576
16	330	10	12.6	16	4720	0.15	792
20	10	5	5.9	120	1020	0.10	100
20	22	6.3	5.9	60	1450	0.10	88
20	27	6.3	5.9	60	1450	0.10	108
20	33	8	6.9	45	1890	0.12	132
20	47	8	6.9	45	1890	0.12	188
20	56	10	7.9	40	2400	0.12	224
20	68	10	7.9	40	2400	0.12	272
20	100	8	11.9	24	3320	0.15	400
20	150	10	12.6	20	4320	0.15	600
25	6.8	6.3	5.9	80	1200	0.10	85
25	10	8	6.9	60	1500	0.10	125
25	22	10	7.9	50	2000	0.10	275
25	33	8	11.9	30	2980	0.12	413
25	56	10	12.6	28	3800	0.12	700

● FREQUENCY COEFFICIENT OF PERMISSIBLE RIPPLE CURRENT

Frequency	120Hz	1kHz	10kHz	100 ~ 500kHz
Coefficient	0.05	0.3	0.7	1

## X-ON Electronics

Largest Supplier of Electrical and Electronic Components

*Click to view similar products for [Tantalum Capacitors - Polymer SMD category](#):*

*Click to view products by [Samwha manufacturer](#):*

Other Similar products are found below :

[2R5TAE680ML](#) [T58BB226M025C0150](#) [23484-337](#) [TCJD227M010R0050E](#) [TCJC106M035R0200E](#) [TCJP105M025R0500E](#)  
[TCJD477M004R0040E](#) [TCNX476M035R0150](#) [ASG-P-V-A-1.000GHZ](#) [F381A336MSALZT](#) [FA1E566M10126VR](#) [NTP687M4TRD\(12\)F](#)  
[T520X477M006AHE040](#) [T541X336M050BH6710](#) [T541X337M016BH6720](#) [TCNT476M016R0200A](#) [ETCF680ML](#) [4TCE470ML](#)  
[4TCE470MIL](#) [4TCE330M](#) [6TCE100M](#) [6TCE150MI](#) [6TCE680M](#) [6TCE220M](#) [10TCE220ML](#) [4TCE220M](#) [293D106X9025C2WE3](#)  
[4TAE470ML](#) [T520Y687M004ATE010](#) [T55V337M6R3C0050](#) [T55V337M004C0025](#) [T55V227M6R3C0050](#) [T55V227M004C0045](#)  
[T55V157M6R3C0035](#) [T55V157M010C0045](#) [T55D337M004C0050](#) [T55D107M010C0018](#) [T59EE337M016C0025](#) [T55V337M2R5C0025](#)  
[T55V337M004C0045](#) [T55V227M6R3C0040](#) [T55V227M004C0035](#) [T55V157M6R3C0045](#) [TCJD106M050R0090](#) [T55V157M004C0025](#)  
[T55D477M004C0040](#) [T55D337M6R3C0045](#) [T55D337M010C0040](#) [T55D227M6R3C0055](#) [T55D227M6R3C0050](#)