

DISPLAY Elektronik GmbH

DATA SHEET

BACKLIGHT

DE LP-502-A

Product Specification

Version: 1

20.09.2016

CONTENTS

1. FEATURES2

2. EXTERNAL DIMENSION (UNIT: MM).....2

3. ELECTRICAL/OPTICAL SPECIFICATIONS.....3

4. ACCEPT QUALITY LEVEL (AQL).3

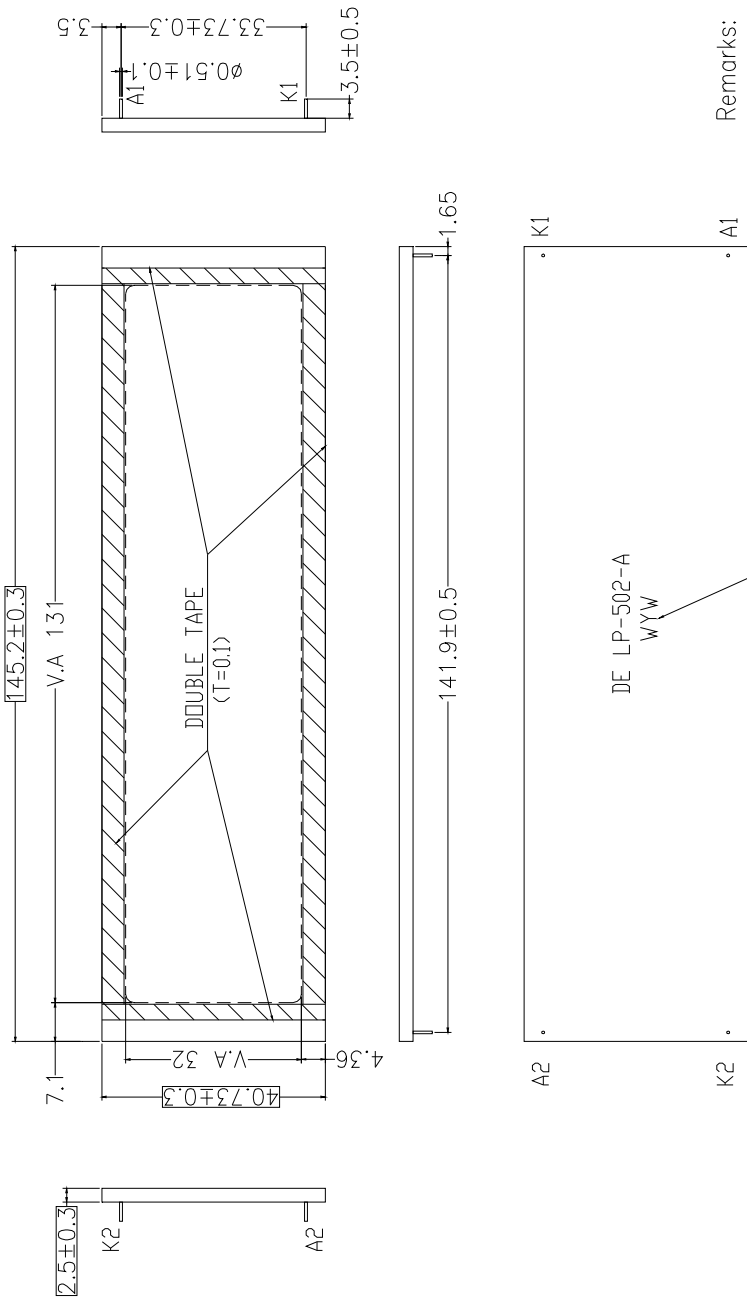
5. RELIABILITY TEST.....3

1. FEATURES

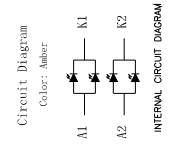
Backlight Color: Amber

RoHS: Conformed

2. EXTERNAL DIMENSION (unit: mm)



Remarks:
 1. Unmarked tolerance is ± 0.3
 2. All materials comply with RoHS
 3. [] : critical dimension.
 4. Operation temperature: -20°C to $+70^{\circ}\text{C}$
 Storage temperature: -40°C to $+90^{\circ}\text{C}$



3. ELECTRICAL/OPTICAL SPECIFICATIONS

ELECTRICAL–OPTICAL CHARACTERISTICS

Ta=25°C. Unless specified, The Ambient temperature Ta=25°C

Item	Symbol	min.	typ.	max.	Unit	Condition
Forward Current	Iv	1.6	2.0	2.5	v	If=40*2 mA
Power Dissipation	Pd	–	–	100*2	mW	If=40*2 mA
Luminous Uniformity	DLv	70			%	MIN/MAX*100%
Luminance	Lv	80	113	–	cd/m ²	If=40*2 mA T=25°C
Dominant Wave Length	λD	585	590	595	nm	
Lifetime	50000(brightness reduce half)				Hours	

4. ACCEPT QUALITY LEVEL (AQL).

4.1. AQL standard value: Critical defect =0, Major defect=0.65; Minor defect =2.5.

4.2. Inspection Plan: ANSI Z-1.4, Normal Inspection Level II, Single Sampling Plan.

5. RELIABILITY TEST

Test Item	Test Condition
High Temperature Storage	+90°C x 96h
Low temperature Storage	-40°C x 96h
High Temperature Operation	+70°C x 96h
Low Temperature Operation	-20°C x 96h
High Temperature, High Humidity	60°C x 90%RH x 4 Weeks
Thermal Shock	-20°C x 30min → 25°C x 10s → +70°C x 30min x 5 Cycles
Vibration Test	Frequency x Swing x Time 40Hz x 4mm x 4h
Drop Test	Height x Number of drop 1.0m x 6 drops

X-ON Electronics

Largest Supplier of Electrical and Electronic Components

Click to view similar products for [TFT Displays & Accessories](#) category:

Click to view products by [Display Elektronik](#) manufacturer:

Other Similar products are found below :

[OAI-80038AA-2013-A](#) [HDA430T-3G1H](#) [EA CARREDIPTFT02](#) [NL6448BC20-21D](#) [NB7W-KBA04](#) [NB-ATT01](#) [NB5Q-ATT01](#) [NB5Q-KBA04](#) [NB-CN001](#) [NL12880BC20-05](#) [NL8060BC26-35C](#) [NL8060BC26-35F](#) [TCG104SVLQAPNN-AN20](#) [OAI-80038AA-2008-A](#) [315-U004B15300](#) [UMSH-8596MD-34T \(REV D\)](#) [98-0003-3490-8](#) [1044278](#) [1029309](#) [1060549](#) [DE 127-TU-30/7,5](#) [DE 128-TU-20/7,5](#) [EP-LK007TFTPCAP](#) [FR7.0A00](#) [RC2002A-TIG-CSX](#) [NL6448BC2021C](#) [TX17D01VM2EAB](#) [TX14D23VM5BAA](#)
[TCG121WXLRXVNNANX35](#) [EIC-LCD-1080P](#) [T272480C07VR01](#) [1060632](#) [TCG070WVLPAANN-AN50](#) [TCG035QVLPDANN-GN50](#)
[1060630](#) [RFE430V-AIW-DNG](#) [T-55619GD065J-LW-ABN](#) [NHD-1.8-128160EF-SSXN-FT](#) [TCG104SVLPEANN-AN30](#) [NL6448BC33-70](#)
[NL192108BC18-06F](#) [NLB150XG02L-01](#) [NL6448BC20-30D](#) [NL10276BC16-06](#) [NL192108AC10-01D](#) [NL6448AC18-08F](#) [NL6448BC20-30F](#)
[NL12880BC20-05BD](#) [NL12880BC20-05D](#) [NL8060BC26-35BA](#)