

DISPLAY Elektronik GmbH

DATA SHEET

LCD MODULE

DEM 122032C SBH-PW-N-12

Product specification

Version: 7

23/Dec/2010

GENERAL SPECIFICATION

MODULE NO. :

DEM 12203C SBH-PW-N-12

CUSTOMER P/N

Version NO.	Change Description	Date
0	Original Version	07.05.2008
1	Add Version	16.05.2008
2	Update Module Drawing	26.05.2008
3	Update Module Drawing And Backlight Drawing	08.09.2008
4	Update PCB Description	18.12.2008
5	Add Change Pin 3 To Reset Signal	18.01.2010
6	Add version	25.01.2010
7	Change metal frame	23.12.2010

PREPARED BY: LX

DATE: 23.12.2010

APPROVED BY: MHO

DATE: 23.12.2010

CONTENTS

1. FUNCTIONS & FEATURES2

2. MECHANICAL SPECIFICATIONS.....2

3. EXTERNAL DIMENSIONS.....3

4. BLOCK DIAGRAM.....4

5. PIN ASSIGNMENT.....4

6. PCB DRAWING AND DESCRIPTION5

7. BACKLIGHT ELECTRICAL/OPTICAL SPECIFICATIONS6

8. MAXIMUM ABSOLUTE POWER RATINGS6

9. ELECTRICAL CHARACTERISTICS7

10. CONTROL AND DISPLAY COMMAND.....9

11. LCD MODULES HANDLING PRECAUTIONS.....10

12. OTHERS.....10

1. FUNCTIONS & FEATURES

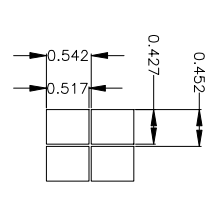
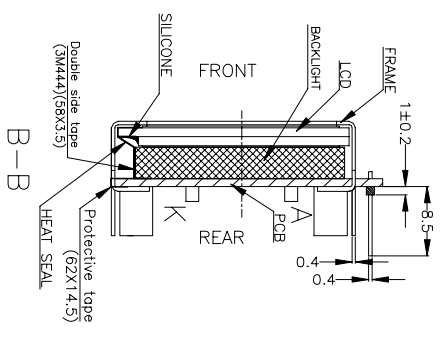
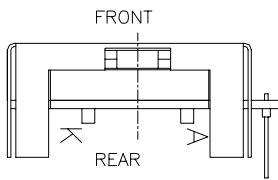
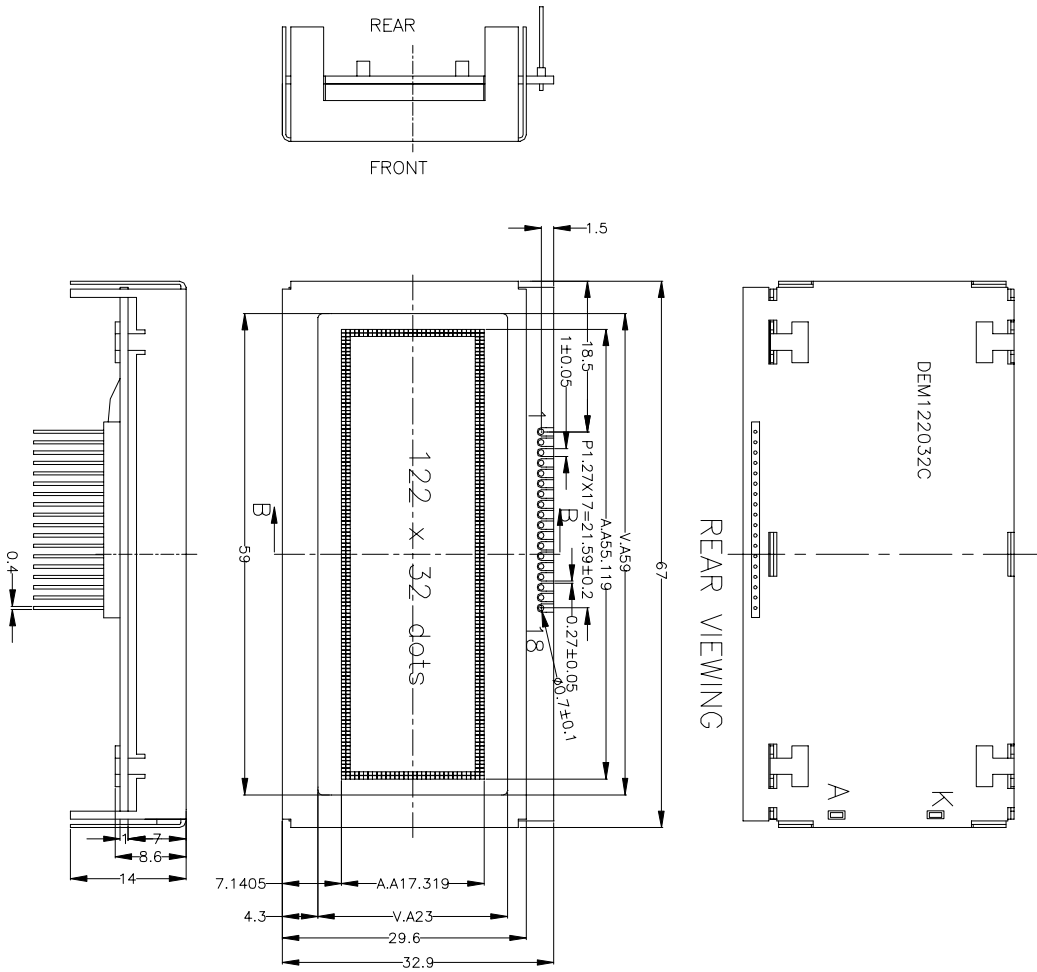
MODULE NAME	LCD Type
DEM 122032C SBH-PW-N-12	STN- Blue Transmissive Negative Mode

- Viewing Direction : 12 O'clock
- Driving Scheme : 1/32 Duty Cycle, 1/6 Bias
- Power Supply Voltage : 5.0Volt (typ.)
- V_{LCD} : 5.0Volt (typ.)
- Display contents : 122 x 32 dots
- Interface : Parallel
- Driver IC : PT6520 (PTC – Princeton Technology Corp.)
- Operating Temperature : -20°C to +70°C
- Storage Temperature : -30°C to +80°C
- LED – Backlight : White, LED, Long-Lifetime
- RoHS : Compliant

2. MECHANICAL SPECIFICATIONS

- Module Size : 67.00 x 32.90 x 14.00 mm
- Viewing Area : 59.00 x 23.00 mm
- Active Area : 55.119 x 17.319 mm
- Dot Size : 0.427 x 0.517 mm
- Dot Gap : 0.025 mm

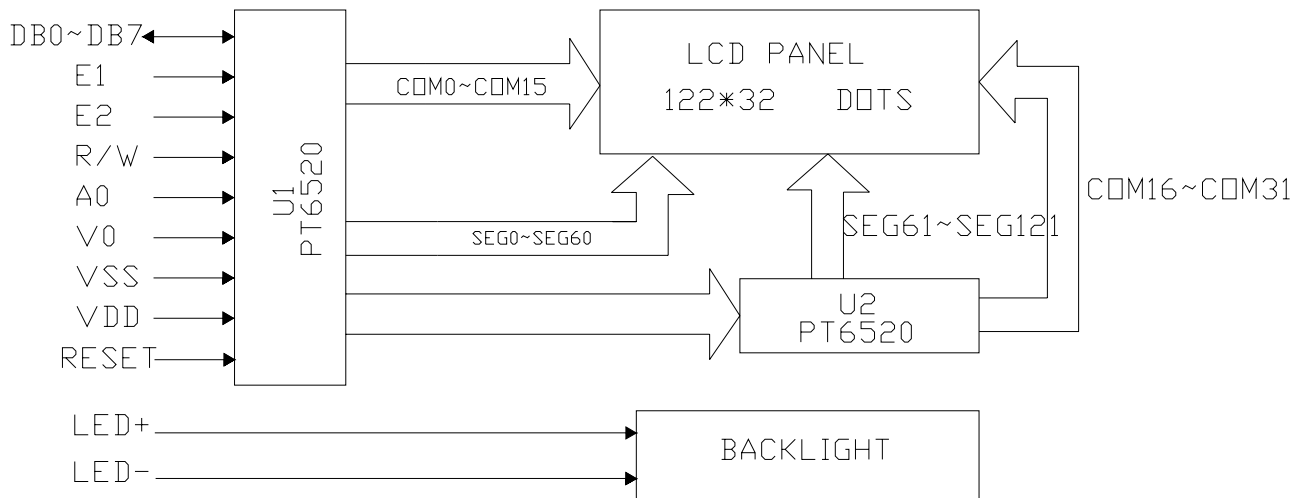
3. EXTERNAL DIMENSIONS



Remarks:
 1, Unmarked tolerance is ± 0.3 ,
 2, The material comply with RoHS,
 3, The metal frame thickness is 0.4mm.

DETAIL DOTS
 SC: 10:1

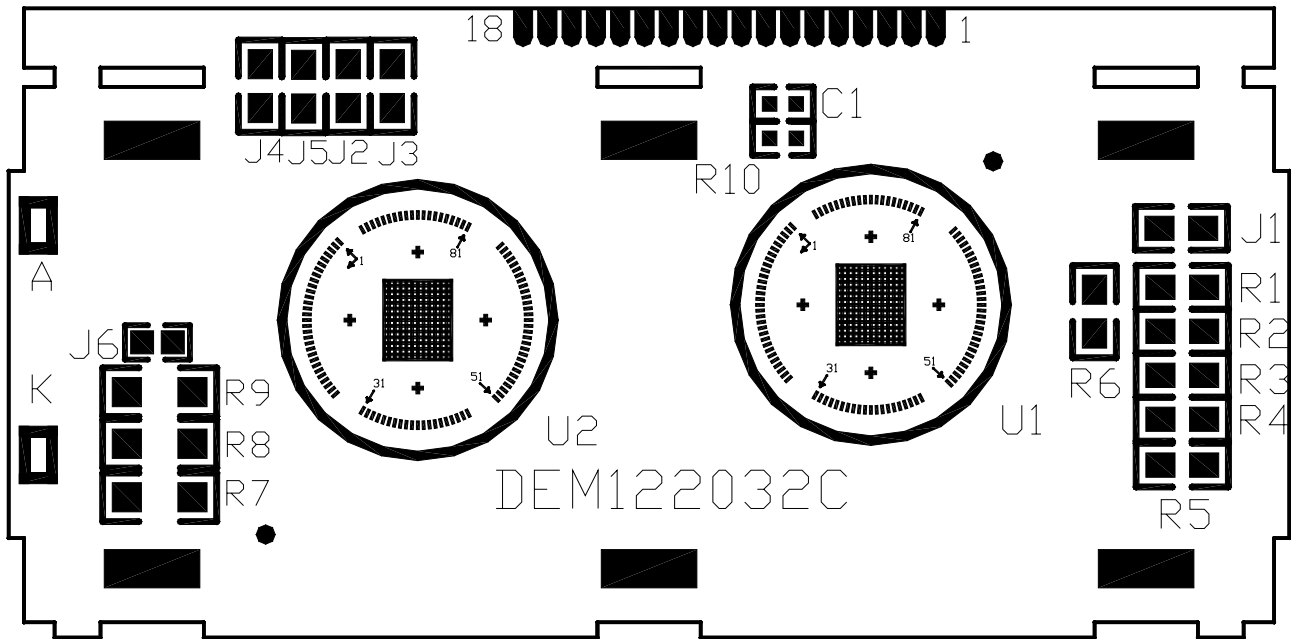
4. BLOCK DIAGRAM



5. PIN ASSIGNMENT

Pin No.	Symbol	Function
1	VLED-	Control the BL to GND
2	VLED+	Control the BL to power supply
	RESET	Reset the system and selects the interface type for a 68 port/80 port MPU. High: 68 port MPU interface. Low: 80 port MPU interface. (edge trigger)
4	VSS	Signal ground for LCM(GND)
5	VDD	Power supply for logic(+5V) for LCM
6	V0	Contrast adjust
7	A0	Selection display data or instructions. High: Display data. Low: instruction
8	R/W	Read/write select signal
9	E1	Operation (data read/write) enable signal (U1)
10	E2	Operation (data read/write) enable signal (U2)
11~14	DB0~DB3	Four low order bi-directional three-state data bus lines. Used for data transfer between the MPU and the LCM. These four are not used during 4-bit operation.
15~18	DB4~DB7	Four high order bi-directional three-state data bus lines. Used for data transfer between the MPU.

6. PCB DRAWING AND DESCRIPTION



DESCRIPTION:

6-1-1. The polarity of the pin 1 and the pin 2:

J3,J5	J2,J4	LED Polarity	
		1 Pin	2 Pin
Each open	Each closed	Anode	Cathode
Each closed	Each open	Cathode	Anode

Note: In application module, J3=J5=closed and J2=J4=open

6-1. The metal-bezel is set to be ground when the J1 is closed.

Note: In application module, J1=closed.

6-2. The LED resistor should be bridged when the J6 is open

Note: In application module, J6=open.

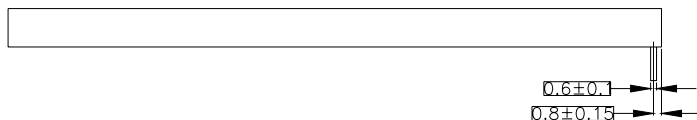
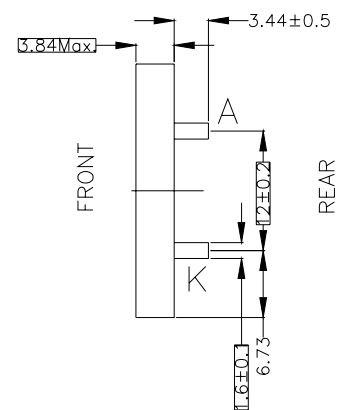
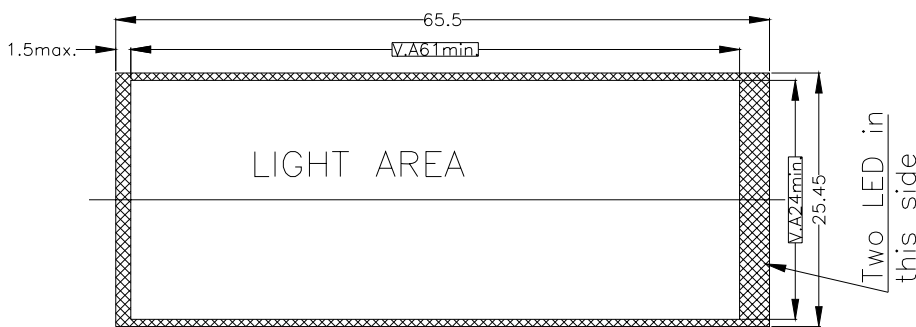
6-3. The R7, R8 and R9 is the LED resistor.

Note: In application module, R8=68 Ω, R7=R9=open.

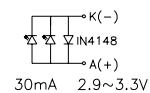
7. BACKLIGHT ELECTRICAL/OPTICAL SPECIFICATIONS

ELECTRICAL / OPTICAL SPECIFICATIONS

PARAMETER	STMBOL	Min	Typ.	Max	Unit	Test condition
AVERAGE LUMINOUS INTENSITY	I_v	170	220		cd/m ²	Ta=25°C If= 30 mA
LUMINOUS TOLERANCE / PCS		70			%	
FORWARD VOLTAGE	Vf	2.9		3.3	V	
PEAK EMISSION WAVELENGTH	λ_P				nm	
CHROMATICITY COORDINATES	X Y	0.24 0.24	0.27 0.27	0.30 0.30		
ITEM	STMBOL	ABS. MAXIMUM RATING			TEST CONDITION	
FORWARD CURRENT	If	40mA			Ta=25°C	
REVERSE VOLTAGE	Vr	5V				
POWER DISSIPATION	Pd	132mW				
OPERATING TEMPERATURE	Topr	-20 ~ +70°C				
STORAGE TEMPERATURE	Tstg	-30 ~ +80°C				



INTERNAL CIRCUIT DIAGRAM



- Remarks:
- 1.Unmarked tolerance is ±0.3;
 - 2.The material comply with RoHS;
 - 3.Color:White;
 - 4.Lifetime>50000hours.

8. MAXIMUM ABSOLUTE POWER RATINGS

Item	Symbol	Standard value	Unit
Power supply voltage	VDD	-0.3V to +5.5V	V
LCD Driver voltage	VLCD	-0.3V to +7.0V	V
Input voltage	VIN	-0.3V to VDD+0.3V	V
Operating temperature	Topr	-20°C to + 70°C	°C
Storage temperature	Tsto	-30°C to + 80°C	°C

9. ELECTRICAL CHARACTERISTICS

9.1 DC Characteristics

Item	Symbol	Standard Value			Test Condition	Unit
		Min.	Typ.	Max.		
Operating Voltage	VDD	4.7	5.0	5.3	--	V
LCD Voltage	VLCD	4.7	5.0	5.3	V0 – VSS	V
Supply Current	IDD	--	TBD	--		mA

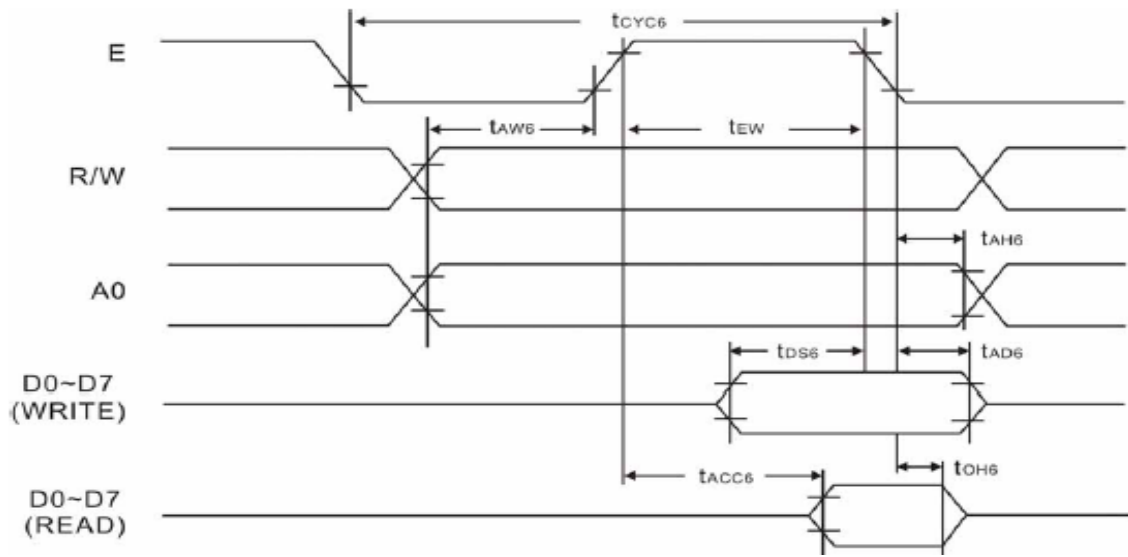
9.2 AC Characteristics

READ/WRITE TIMING FOR THE 68-PORT MPU

(V_{SS}=0V, T_a=-20 ~ +70°C)

Parameter	Signal	Symbol	Condition	Min.	Typ.	Max	Unit	
System cycle time	A0, CS R/W	tCYC6	VSS=-5V	1000	-	-	ns	
			VSS=-3V	2000	-	-	ns	
Address set-up time		tAW6	VSS=-5V	20	-	-	ns	
			VSS=-3V	40	-	-	ns	
Address hold time		tAH6	VSS=-5V	10	-	-	ns	
			VSS=-3V	30	-	-	ns	
Control pulse width	D0~D7	tDS6	VSS=-5V	80	-	-	ns	
			VSS=-3V	160	-	-	ns	
Data set-up time		tDH6	VSS=-5V	10	-	-	ns	
			VSS=-3V	20	-	-	ns	
Data hold time		tOH6	CL=100pF VSS=-5V	10	-	60	ns	
			CL=100pF VSS=-3V	20	-	120	ns	
RD access time	tACC6	CL=100pF VSS=-5V	-	-	200	ns		
		CL=100pF VSS=-3V	-	-	400	ns		
Enable disable time	READ	E	tew	VSS=-5V	250	-	-	ns
				VSS=-3V	400	-	-	ns
	WRITE			VSS=-5V	150	-	-	ns
				VSS=-3V	250	-	-	ns

READ/WRITE TIMING FOR THE 68-PORT MPU



10. CONTROL AND DISPLAY COMMAND

Command		RD	WR	A0	D7	D6	D5	D4	D3	D2	D1	D0	Function	
1	Display ON/OFF	1	0	0	1	0	1	0	1	1	1	0/1	Switches the entire display ON or OFF, regardless of the Display RAM's data or the internal status. *	
2	Display START Line	1	0	0	1	1	0	Display START address (0-31)				Determines the line of RAM data to be displayed at the display's top line (COM0)		
3	Page Address Set	1	0	0	1	0	1	1	1	0	Page (0-3)		Sets the page of the Display RAM in the page address register.	
4	Column (segment) Address Set	1	0	0	0	Column address (0-79)							Sets the column address of the Display RAM in the column address register.	
5	Status Read	0	1	0	BUSY	ACC	ON/OFF	RESET	0	0	0	0	Read the status. Busy 1: Busy (internal processing) 0: Ready status ADC 1: Rightward (forward) output 0: Leftward (reverse) output ON/OFF 1: Display OFF 0: Display ON RESET 1: Resetting. 0: Normal	
6	Write Display Data	1	0	1	Write Data								Writes the data on the data bus to RAM	These commands access a previously-specified address of the Display RAM, after which the column address is incremented by one.
7	Read Display Data	0	1	1	Read Data								Reads data from the Display RAM onto the data bus.	
8	ADC Select	1	0	0	1	0	1	0	0	0	0	0/1	Used to reverse the correspondence between the Display RAM's column address and segment driver output ports 0: Rightward (forward) output 1: Leftward (reverse) output	
9	Static Drive ON/OFF	1	0	0	1	0	1	0	0	1	0	0/1	Selects normal display operation or static all-lit drive display operation. 1: Static drive (power save)* 0: Normal display operation	
10	Duty Select	1	0	0	1	0	1	0	1	0	0	0/1	Selects the duty factor for driving LCD cells. 1: 1/32 duty, 0: 1/16 duty	
11	Read Modify Write	1	0	0	1	1	1	0	0	0	0	0	Increments column address counter by 1 when display is written. (This is not done when data is read)	
12	End	1	0	0	1	1	1	0	1	1	1	0	Cancels the Ready Modify Write mode.	
13	Reset	1	0	0	1	1	1	0	0	0	1	0	Resets the display START line to the 1st line in the register. Resets the column address counter to 0 and page address to 0.	

11. LCD MODULES HANDLING PRECAUTIONS

- Please remove the protection foil of polarizer before using.
- The display panel is made of glass. Do not subject it to a mechanical shock by dropping it from a high place, etc.
- If the display panel is damaged and the liquid crystal substance inside it leaks out, do not get any in your mouth. If the substance come into contact with your skin or clothes promptly wash it off using soap and water.
- Do not apply excessive force to the display surface or the adjoining areas since this may cause the color tone to vary.
- The polarizer covering the display surface of the LCD module is soft and easily scratched. Handle this polarize carefully.
- To prevent destruction of the elements by static electricity, be careful to maintain an optimum work environment.
 - Be sure to ground the body when handling the LCD module.
 - Tools required for assembly, such as soldering irons, must be properly grounded.
 - To reduce the amount of static electricity generated, do not conduct assembly and other work under dry conditions.
 - The LCD module is coated with a film to protect the display surface. Exercise care when peeling off this protective film since static electricity may be generated.
- Storage precautions
When storing the LCD modules, avoid exposure to direct sunlight or to the light of fluorescent lamps. Keep the modules in bags designed to prevent static electricity charging under low temperature / normal humidity conditions (avoid high temperature / high humidity and low temperatures below 0°C).Whenever possible, the LCD modules should be stored in the same conditions in which they were shipped from our company.

12. OTHERS

- Liquid crystals solidify at low temperature (below the storage temperature range) leading to defective orientation of liquid crystal or the generation of air bubbles (black or white). Air bubbles may also be generated if the module is subjected to a strong shock at a low temperature.
- If the LCD modules have been operating for a long time showing the same display patterns may remain on the screen as ghost images and a slight contrast irregularity may also appear. Abnormal operating status can be resumed to be normal condition by suspending use for some time. It should be noted that this phenomena does not adversely affect performance reliability.
- To minimize the performance degradation of the LCD modules resulting from caused by static electricity, etc. exercise care to avoid holding the following sections when handling the modules:
 - Exposed area of the printed circuit board
 - Terminal electrode sections

X-ON Electronics

Largest Supplier of Electrical and Electronic Components

Click to view similar products for [LCD Graphic Display Modules & Accessories](#) category:

Click to view products by [Display Elektronik](#) manufacturer:

Other Similar products are found below :

[NA57W001B](#) [HDM64GS12L-Y11S](#) [LCM-H12864GSFH-Y](#) [MGLS-240128-Z05](#) [GLK19264A-7T-1U-TCI-LV-E](#) [DEM 128032A](#) [FGH](#)
[RG12864F-FHW-M](#) [EGLK19264A-7T-WB-VPT-PL](#) [HG2G-V5FT22TF-W](#) [HG1G-4VT22TF-S](#) [HDM64GS24L-2-Y14S](#) [LTS-2301AP](#) [LTS-](#)
[6760P](#) [LTS-6980HR](#) [RG12864A-GHC-V](#) [RG12864A-GHY-V](#) [RG12864A-TIG-V](#) [RG12864A-TIY-V](#) [RG12864A-YHY-X](#) [RG12864B-](#)
[FHW-V](#) [RG12864B-GHW-V](#) [RG12864C-YHW-V](#) [RG12864K-BIW-VBG](#) [RG160128A-TIW-V](#) [RG240128B-YHY-M](#) [RG320240A1-BIW-V](#)
[RG320240B-BIW-V](#) [RG320240B-FHW-V](#) [DEM 097032A](#) [SGH-PY](#) [DEM 122032A](#) [SYH-LY](#) [DEM 122032C](#) [SBH-PW-N-12](#) [DEM 128064A](#)
[SBH-PW-N](#) [DEM 128064B](#) [SBH-PW-N](#) [DEM 128064F](#) [FGH-P\(RGB\)](#) [DEM 128064G](#) [FGH-PW](#) [DEM 128064I](#) [FGH-PW](#) [DEM 128064J](#)
[SBH-PW-N](#) [DEM 128064O](#) [FGH-PW](#) [DEM 128064Q](#) [SBH-PW-N](#) [DEM 128128D](#) [FGH-PW](#) [DEM 240064B](#) [FGH-PW](#) [DEM 240064B](#) [SBH-](#)
[PW-N](#) [DEM 240160A](#) [SBH-PW-N](#) [DEM 320240B](#) [FGH-PW-N](#) [DEM 320240C](#) [FGH-PW](#) [EA W240-7KHLW](#) [RX12864A1-BIW](#)
[RX12864D3-BIW](#) [RX240128A-FGN](#) [RX240128A-TIW](#)