

DISPLAY Elektronik GmbH

DATA SHEET

LCD MODULE

DEM 128064A SBH-PW-N

Product Specification

Version:12.1

17/Feb/2008

GENERAL SPECIFICATION

MODULE NO. :

DEM 128064A SBH-PW-N

CUSTOMER P/N

VERSION NO.	CHANGE DESCRIPTION	DATE
0	ORIGINAL VERSION	18/12/2002
1	THE EXTERNAL DIMENSIONS CHANGED	14/01/2003
2	ADD VERSION	06/08/2003
3	CHANGED BACKLIGHT ELECTRICAL/OPTICAL SPECIFICATIONS	10/11/2004
4	CANCEL VERSION	06/01/2004
5	ADD VERSION	27/06/2005
6	CHANGE BACKLIGHT RESISTOR	27/10/2005
7	ADD VERSION	18/11/2005
8	ADD JUMPER SETTING	07/02/2006
9	CHANGED PCB DESCRIPTION	10/02/2006
10	ADD VERSION	13/03/2006
11	CANCEL VERSION	16/03/2006
12	MODIFY SECTION 10-1	07/06/2007
12.1	CHANGE IC	19/09/2008

PREPARED BY: OYQ

DATE: 17.02.2008

APPROVED BY: MH

DATE: 17.02.2008

CONTENTS

1. FUNCTIONS & FEATURES -----2

2. MECHANICAL SPECIFICATIONS -----2

3. BLOCK DIAGRAM -----3

4. EXTERNAL DIMENSIONS-----4

5. PIN ASSIGNMENT -----5

6. PCB DRAWING AND DESCRIPTION-----6

6.1 EXAMPLE APPLICATION -----6

6.2 THE MODULE NO. IS PRINTED ON THE PCB -----6

7. BACKLIGHT VOLTAGE AND CURRENT -----7

8. APPLICATION CIRCUIT-----8

9. MAXIMUM ABSOLUTE LIMIT-----8

10. ELECTRICAL CHARACTERISTICS-----9

11. OPERATING PRINCIPLES & METHODS-----11

12. DISPLAY CONTROL INSTRUCTION -----14

13. LCD MODULES HANDLING PRECAUTIONS -----16

14. OTHERS -----16

1. FUNCTIONS & FEATURES

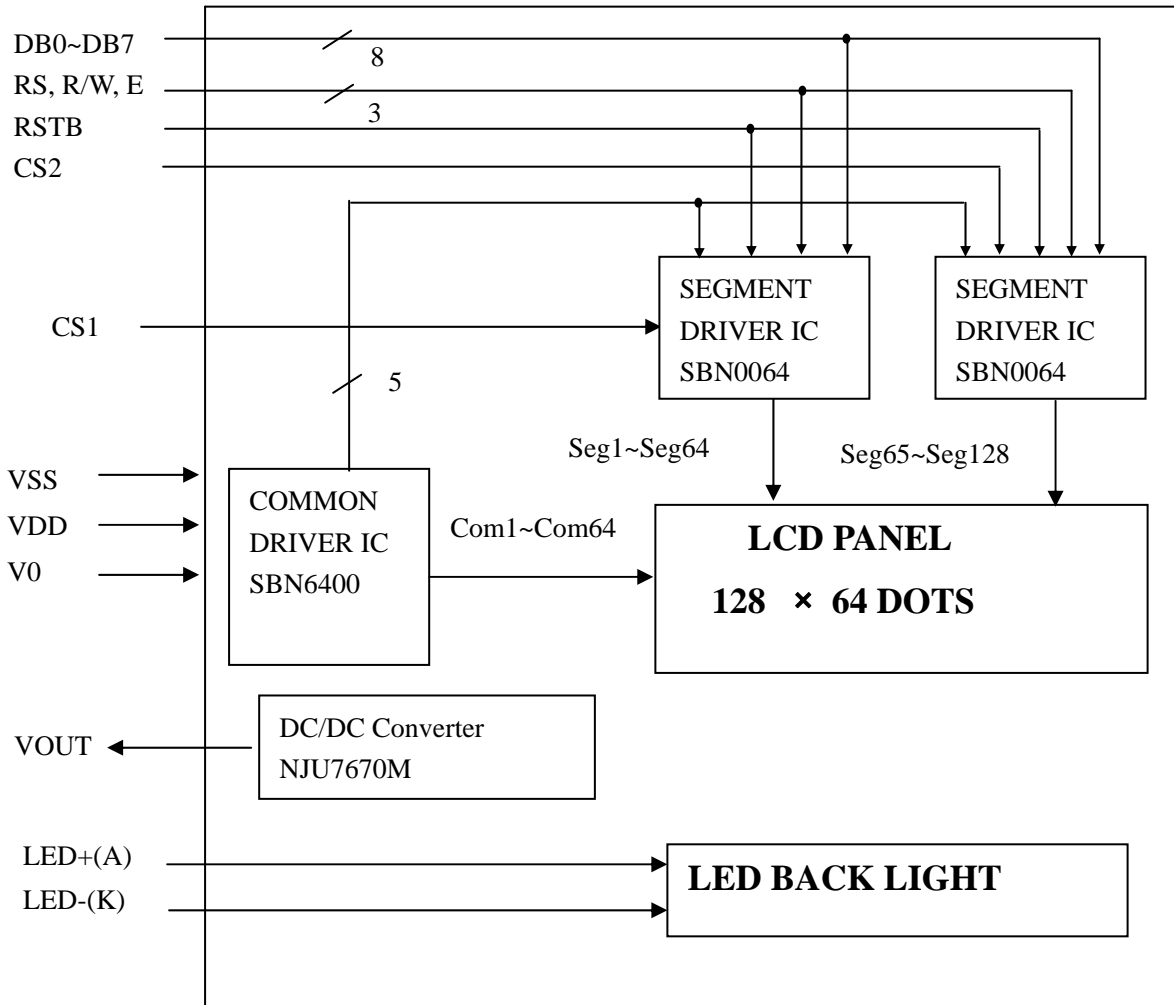
MODULE NAME	LCD TYPE
DEM 128064A SBH-PW-N	STN-BLUE Transmissive Negative Mode

- Viewing Direction : 6 o'clock
- Driving Scheme : 1/64 Duty Cycle, 1/9 Bias
- Power Supply Voltage : 5.0 Volt (typ.)
- V_{LCD} Adjustable For Best Contrast : 12.9 Volt (typ.)
- Display Contents : 128 x 64 Dots
- Internal Memory : 512 bytes (4096 bits)
- Interface : Easy Interface with a 4-bit or 8-bit MPU
- Operating Temperature : -20°C to +70°C
- Storage Temperature : -25°C to +75°C
- Backlight : LED, Lightguide, White

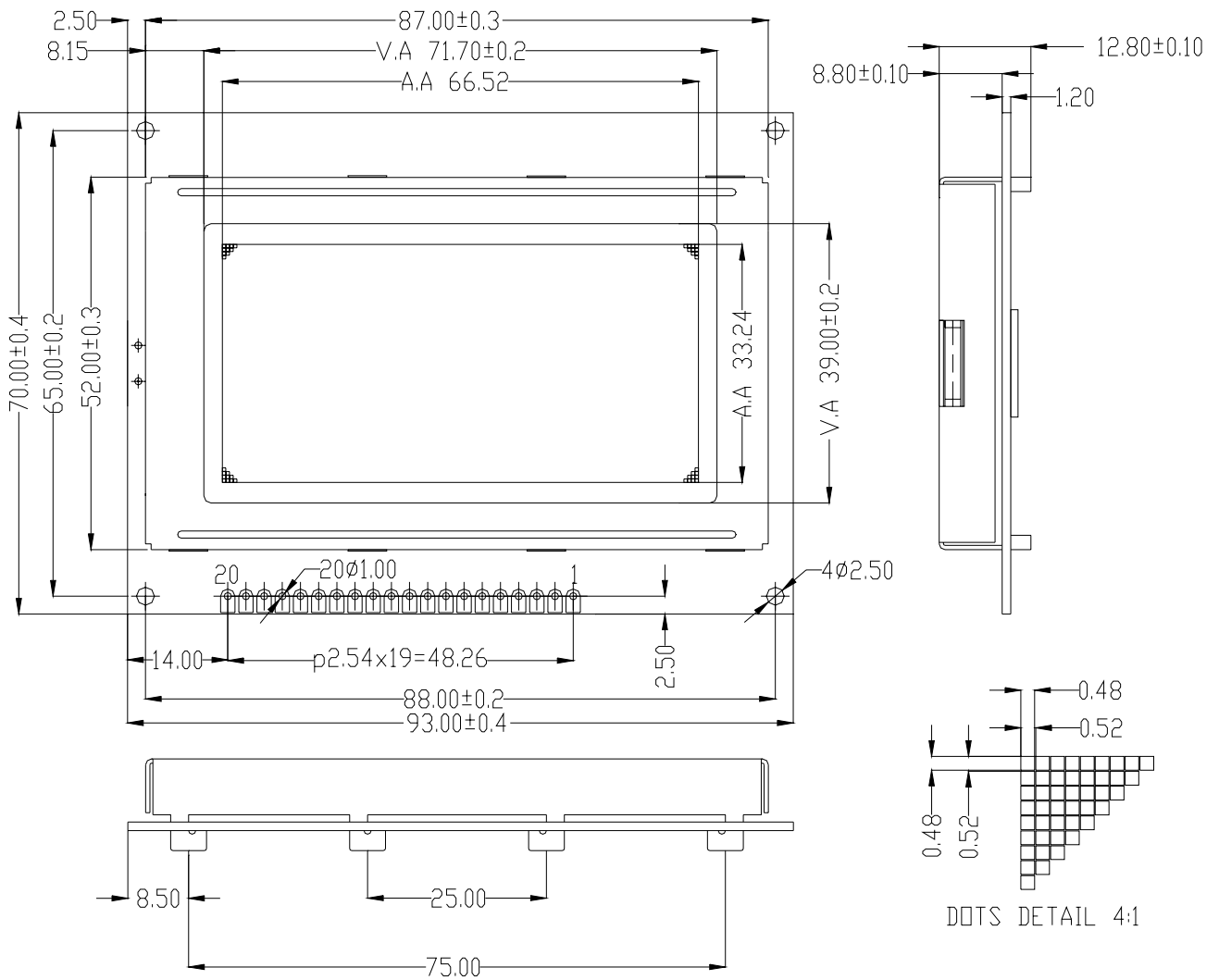
2. MECHANICAL SPECIFICATIONS

- Module Size : 93.00 x 70.00 x 12.80 mm
- Dot Size : 0.48 x 0.48 mm
- Dot Pitch : 0.52 x 0.52 mm

3. BLOCK DIAGRAM



4. EXTERNAL DIMENSIONS

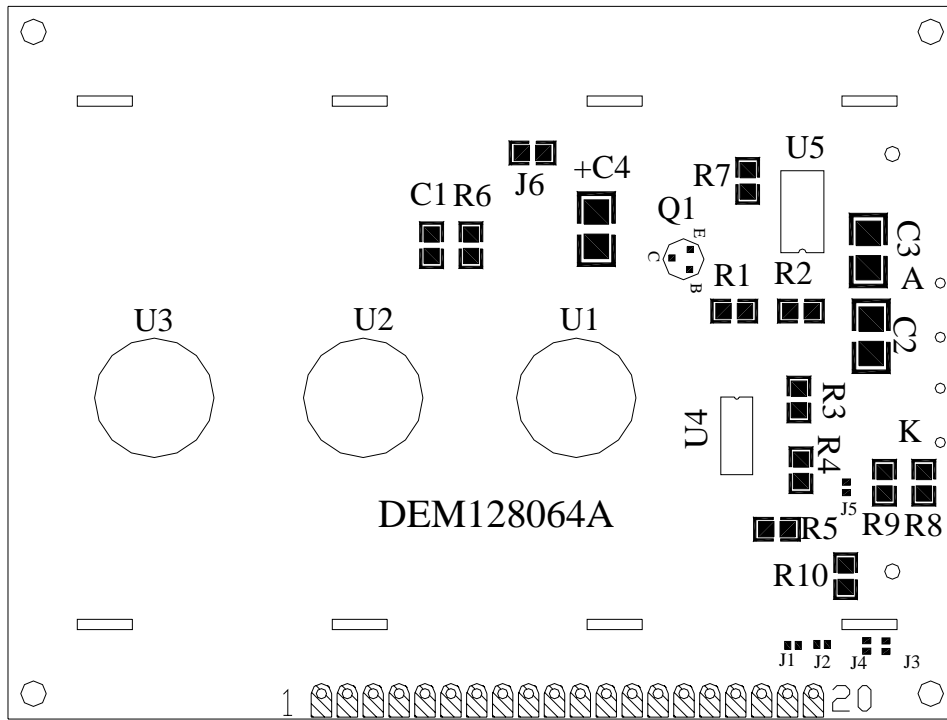


5. PIN ASSIGNMENT

Pin No.	Symbol	Function
1	VSS	Ground
2	VDD	Power supply voltage for logic,+ 5.0V.
3	V0	Input voltage for LCD
4	RS	Register select RS = 0...Instruction register RS = 1...Data register
5	R/W	Read /Write R/W = 1...Read R/W = 0...Write
6	E	Chip enable signal
7	DB0	Data bit 0
8	DB1	Data bit 1
9	DB2	Data bit 2
10	DB3	Data bit 3
11	DB4	Data bit 4
12	DB5	Data bit 5
13	DB6	Data bit 6
14	DB7	Data bit 7
15	CS1	Chip select signal for SBN0064(1)
16	CS2	Chip select signal for SBN0064(2)
17	RSTB	Reset signal
18	VOUT	Output voltage for LCD,-9.5V
19	LED + (A)	Please also refer to 6.2 Description
20	LED - (K)	Please also refer to 6.2 Description

6. PCB DRAWING AND DESCRIPTION

6-1 PCB DRAWING.



Note: The part no. DEM128064A is printed on the PCB.

6-2 DESCRIPTION:

6-2-1 The polarity of the pin 19 and the pin 20:

	J2,J4	J1,J3	19 Pin	20 Pin
Option 1	Open	Close	Anode	Cathode
Option 2	Close	Open	Cathode	Anode

Note: In application module, J2=J4=open, J1=J3=closed

6-2-2 The LED resistor can be bridged when the J5 is closed

Note: In application module, J5=open

6-2-3 The R8, R9 and R10 are the LED resistor.

Note: In application module, R8=R9=33Ω , R10=open

6-2-4 The metal-bezel is set on ground when the J6 is closed.

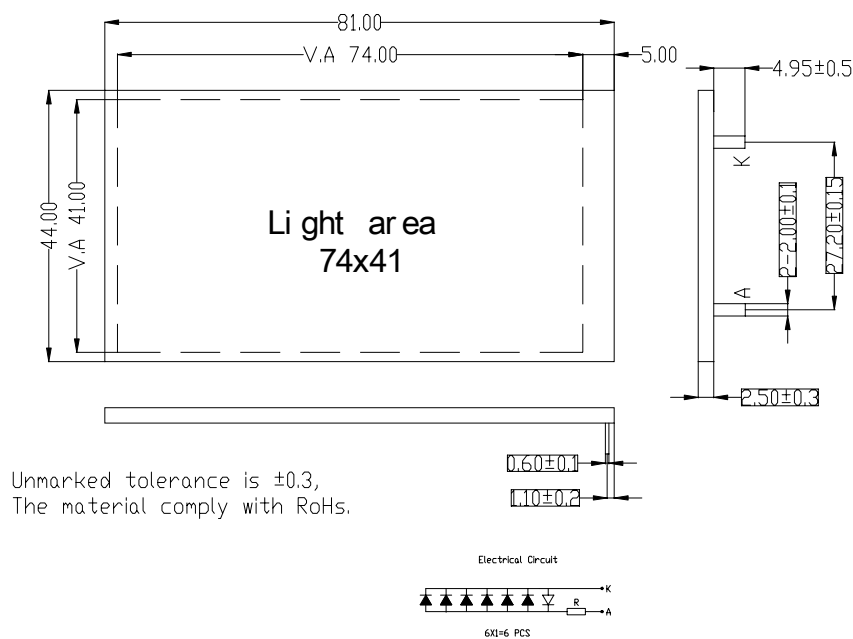
Note: In application module, J6=closed.

7. BACKLIGHT ELECTRICAL/OPTICAL SPECIFICATION

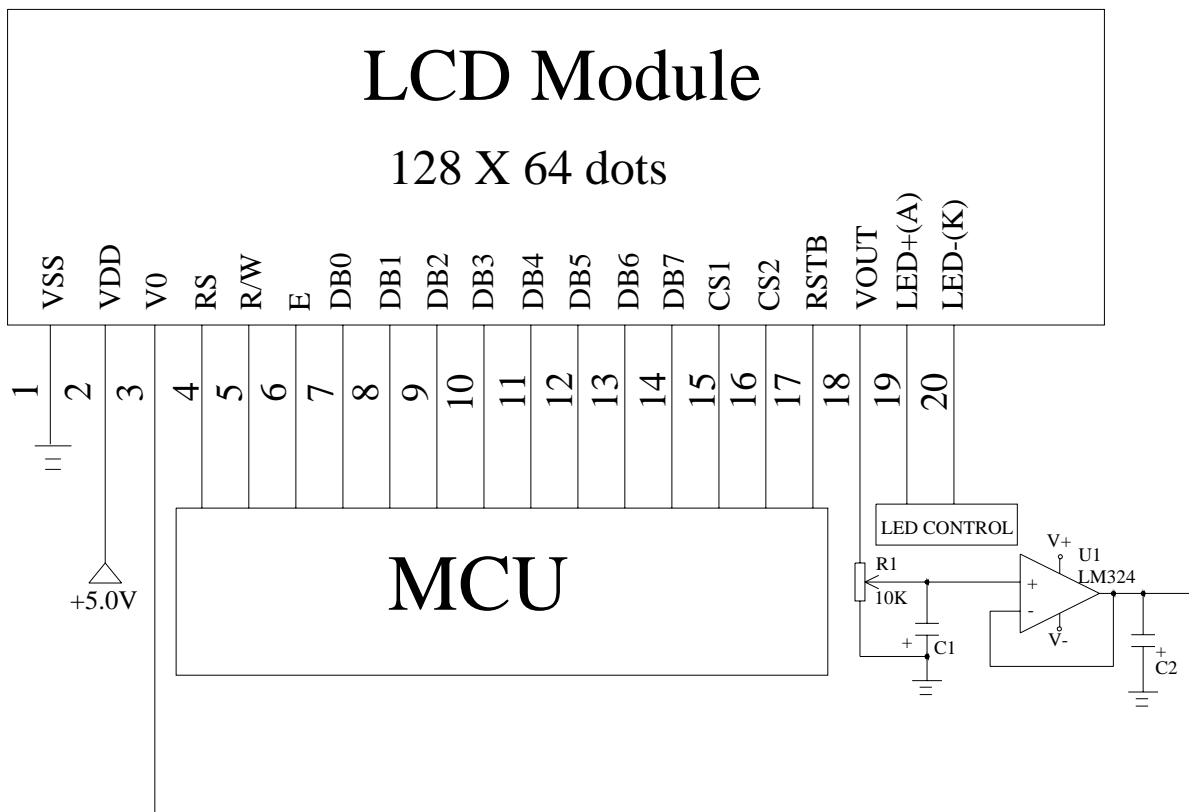
7-1 BACKLIGHT ELECTRICAL/OPTICAL DESCRIPTION.

Item	Symbol	MIN.	TYP.	MAX.	Unit	Conditions
Forward Voltage	Vf		4.0		V	
Forward Current	If		90	120	mA	Vf = 4.0V
Power Dissipation	Pd		0.36		W	Vf = 4.0V
Reverse Voltage	VR			5.0	V	
Reverse Current	IR			0.4	mA	
Luminous Intensity	Lv	130			cd/m ²	Vf = 4.0V
Luminous Uniformity	Δ Lv	70			%	Vf = 4.0V
Emission Wavelength	x	0.27		0.32		If=10mA, Ta=25°C Each chip
	y	0.27		0.32		
Backlight Color	White					

7-2. BACKLIGHT DRAWING



8. APPLICATION CIRCUIT



- NOTE:** 1. R1 is the contrast resistor.
 2. $V_{OUT} = -9.5V$
 3. Adjust R1, it will be best contrast when V0 is $-7.9V$.

9. MAXIMUM ABSOLUTE POWER RATINGS ($T_a = 25^\circ C$)

Item	Symbol	Standard Value	Unit
Supply voltage for logic	V_{DD}	$-0.3 \sim +7.0$	V
Supply voltage	V_0	$V_{DD} - 19.0 \sim V_{DD} + 0.3$	V
Driver supply voltage	$V_{DD} - V_0$	$V_0 - 0.3 \sim V_{DD} + 0.3$	V
Operating temperature	T_{opr}	$-20 \sim +70$	$^\circ C$
Storage temperature	T_{stg}	$-25 \sim +75$	$^\circ C$

10. ELECTRICAL CHARACTERISTICS

10-1 DC Characteristics ($V_{DD}=+5\pm 10\%$ $V_{SS}=0V$, $T_a=-20\sim+70^{\circ}C$)

Item	Symbol	Standard Value			Test Condition	Unit
		MIN	TYP	MAX		
Supply current for logic	V_{DD}	4.5	5.0	5.5	-----	V
Supply current for logic	I_{DD}	----	2.62	4	-----	mA
operating Voltage for LCD	$V_{DD}-V_0$	13.4	14.1	14.8	-20°C	V
		12.2	12.9	13.6	25°C	
		11.0	11.7	12.4	70°C	
Input voltage "H" level	V_{IH}	$0.7V_{DD}$	---	V_{DD}	---	V
Input voltage "L" level	V_{IL}	0	---	$0.3V_{DD}$	---	V

10-2 MPU Interface

Characteristic	Symbol	Min	Typ	Max	Unit
E Cycle	t_C	1000	-	-	ns
E Rise	t_R	-	-	25	ns
E Fall	t_F	-	-	25	ns
E High Level Width	t_{WH}	450	-	-	ns
E-Low Level Width	t_{WL}	450	-	-	ns
Address Set -Up Time	t_{ASU}	140	-	-	ns
Address Hold Time	t_{AH}	10	-	-	ns
Data Delay Time	t_D	-	-	320	ns
Data Set -Up Time	t_{DSU}	200	-	-	ns
Data Hold Time (Write)	t_{DHW}	10	-	-	ns
Data Hold Time (Read)	t_{DHR}	20	-	-	ns

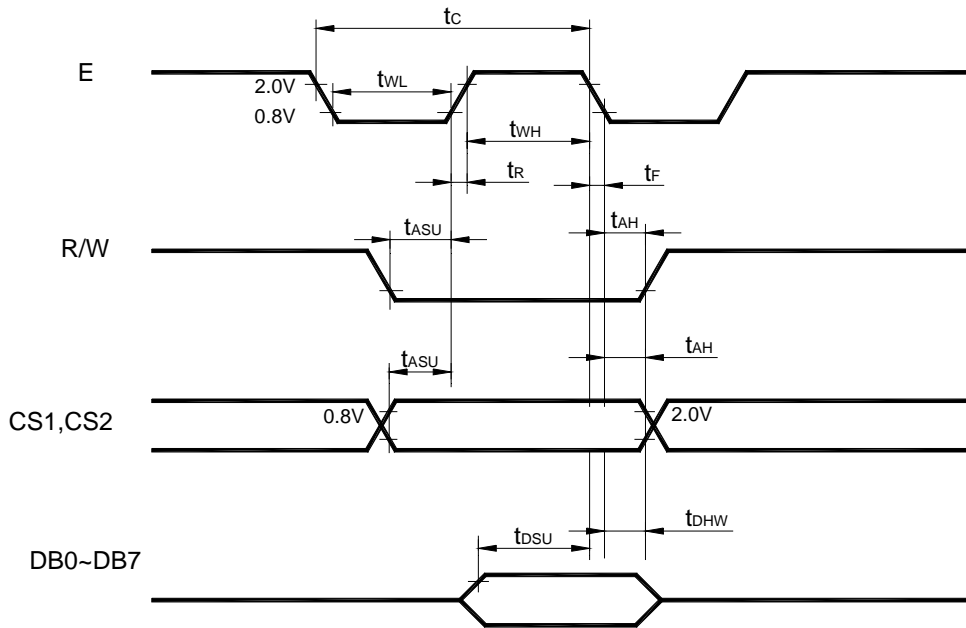


Figure 5.0 MPU write timing

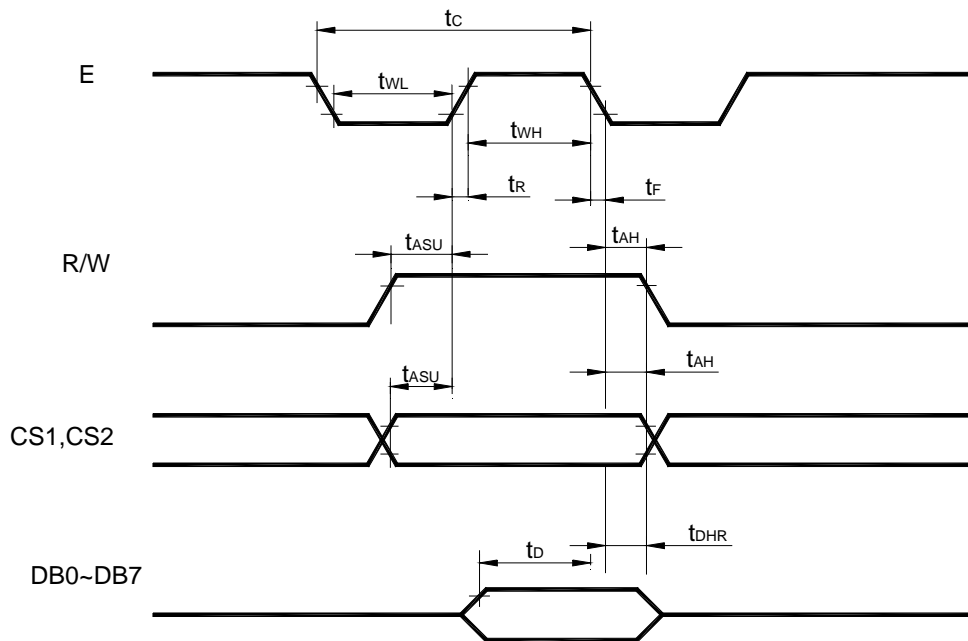


Figure 6.0 MPU Read timing

11. OPERATING PRINCIPLES & METHODS

11-1. I/O Buffer

Input buffer controls the status between the enable the and disable of chip. Unless the CS1 to CS2 is in active mode. Input or output of data and instruction does not execute. Therefore internal state is not change.

Bust RSTB and ADC can operate regardless CS1-CS2.

11-2. Input register

Input register is provided to interface with MPU which is different operating frequency. Input register stores the data temporarily before writing it into display RAM. When CS1 to CS2 are in the active mode, R/W and RS select the input register. The data from MPU is written into input register. Then Writing it into display RAM. Data latched for the E signal and write automatically into the display data RAM by internal operation.

11-3. Output register

Output register stores the data temporarily from display data RAM when CS1 and CS2 are in active mode and R/W and RS=H, stored data in display data RAM is latched in output register. When CS1 to CS2 are in the active mode and R/W=H, RS=L, status data (busy check) can read out. To read the contents of display data RAM, twice access of read instruction needed. In first access, data in display data RAM is latched into output register. In second access, MPU can read data which is latched. That is , to read the data in display data RAM, it needs dummy read. But status read is not read needed dummy.

RS	R/W	Function
L	L	Instruction
	H	Status read (busy check)
H	L	Data write (from input read register to display data RAM)
	H	Data read (from display data RAM to output register)

11-4. Reset

The system can be initialized by setting RSTB terminal at low level when turning power on receiving instruction from RAM. When RSTB becomes low, following procedure is occurred.

1. Display off
2. Display start line register become set by 0. (Z-address 0)

While RSTB is low, No instruction except status read can be accepted. Therefore, execute other instructions after making sure than DB4=0 (clear RSTB) and DB7=0 (ready) by status read instruction.

The conditions of power supply data initial power up are shown in table 1.

Table 1. Power Supply Initial Conditions

Item	Symb	Min.	Typ.	Max.	Unit
Reset time	T_{RS}	1	-	-	us
Rise time	t_R	-	-	200	us

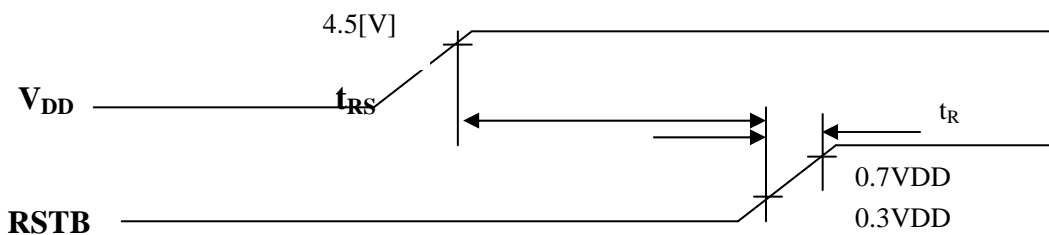


Figure 7.0

11-5. Busy flag

Busy flay indicates that SBN0064 is operating or on operating. When busy flag is high, SBN0064 is internal operating. When busy flag is low, SBN0064 can accept the data or instruction.

DB7 indicates busy flag of the SBN0064.

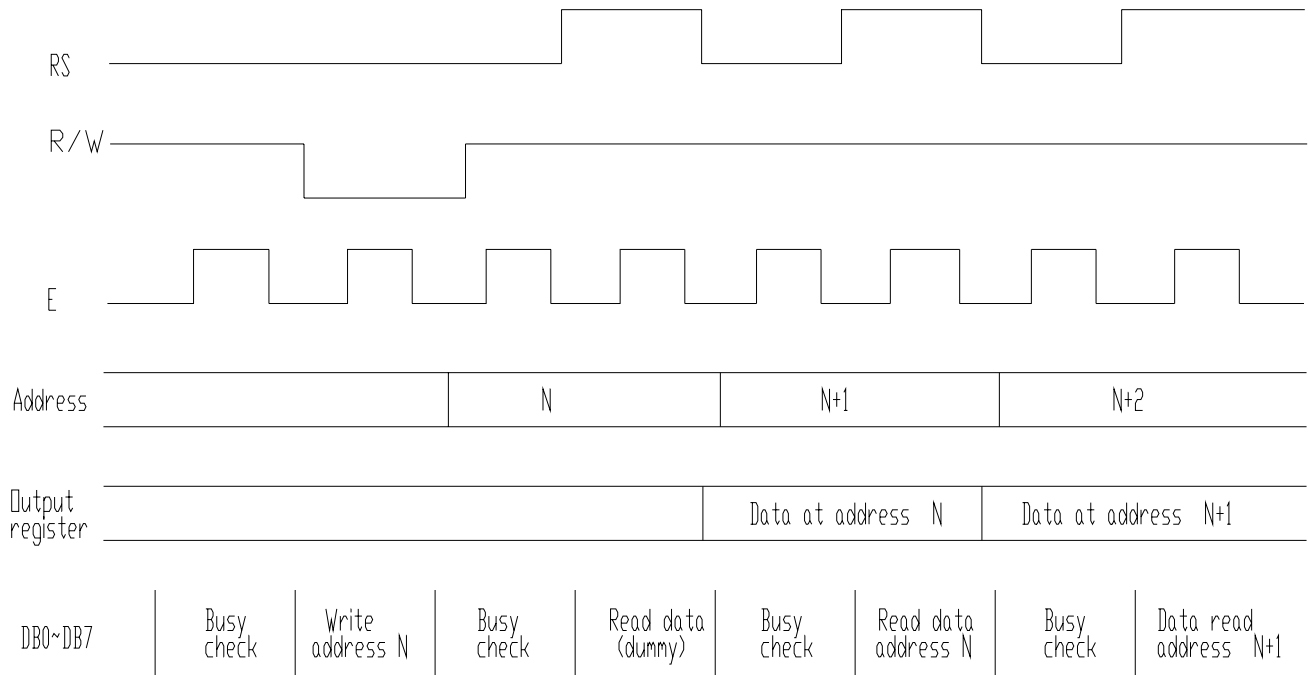


Figure 8.0 Busy Check.

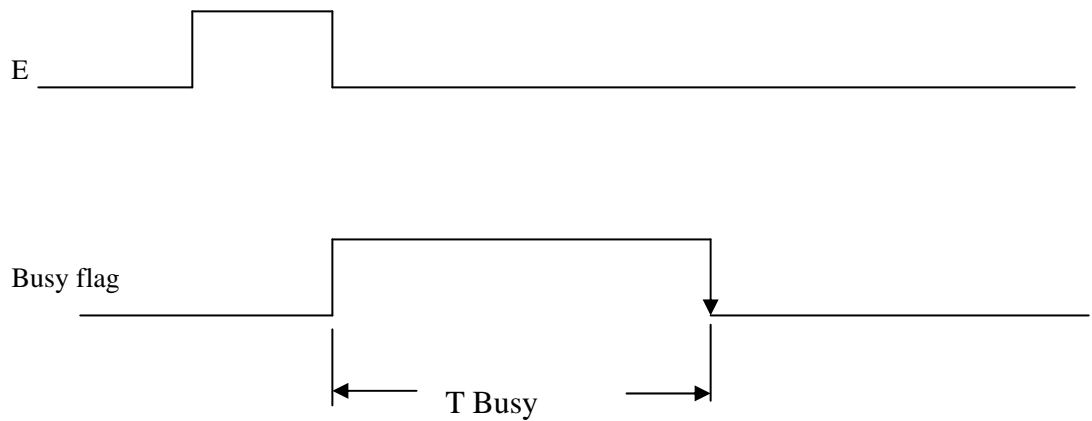


Figure 9.0 Busy Flag

11-6. Display ON/OFF Flip-Flop

The display on/off flip-flop makes on/off the liquid crystal display. When flip-flop is reset (logical low), selective voltage or non selective voltage appears on segment output terminals. When flip-flop is set (logic high), non selective voltage appears on segment output terminals regardless of display RAM data. The display on/off flip-flop can changes status by instruction. The display data at all segment disappear while RSTB is low. The status of the flip-flop is output to DB5 by status read instruction.

11-7. X Page Register

X page register designates pages of the internal display data RAM.

Count function is not available. An address is set by instruction.

11-8. Y address counter

Y address counter designates address of the internal data RAM. An address is set by instruction and is increased by 1 automatically by read or write operations of display data.

11-9. Display Data RAM

Display Data RAM stores a display data for liquid crystal display. To indicate on state dot matrix of liquid crystal display, write data 1. The other way, off state, writes 0.

11-10. Display Start Line Register

The display start line register indicates of display data RAM to display top liquid crystal display. Bit data (DB<0:5>) of the display start line set instruction is latched in display start line register. Latched data is transferred to the Z address counter while FRM is high, presetting the Z address counter. It is used for scrolling of the liquid crystal display screen.

12. DISPLAY CONTROL INSTRUCTION

The display control instructions the internal state of the SBN0064. Instruction is received from MPU to SBN0064 for the display control. The following table shows various instructions.

Instruction	RS	R/W	DB7	DB6	DB5	DB4	DB3	DB2	DB1	DB0	Function	
Display ON/OFF	L	L	L	L	H	H		H	H	L/H	Controls the display on or off. Internal status and display RAM data is not affected. L: OFF, H: ON	
Set Address (Y address)	L	L	L	H	Y address (0~63)						Sets the Y address in the Y address counter.	
Set Page (X address)	L	L	H	L	H	H	H	Page (0~7)			Sets the X address At the X address counter	
Display Start line (Z address)	L	L	H	H	Display start line (0~63)						Indicates the display data RAM displayed at the top of the screen.	
Status Read	L	H	B U S Y	L	O N / O F F	R E S E T	L	L	L	L	Read status BUSY L: Ready H: In operation On/Off L: display ON H: Display OFF RESET L: Normal H: Reset	
Write Display Data	H	L	Write Date									Writes data (DB0:7) into display data RAM . After writing instruction, Y address is increased by 1 automatically.
Read Display data	H	H	Read Date									Reads data (DB0:7) From display data RAM to the data bus.

12-1. Display On/Off

RS	R/W	DB7	DB6	DB5	DB4	DB3	DB2	DB1	DB0
0	0	0	0	1	1	1	1	1	D0

The display data appears when D is 1 and disappears when D is 0.

Though the data is not on the screen with D=0, it remains display data RAM.

Therefore, you can make it appear by changing D=0 into D=1.

12-2. Set Address (Y Address)

RS	R/W	DB7	DB6	DB5	DB4	DB3	DB2	DB1	DB0
0	0	0	1	AC5	AC4	AC3	AC2	AC1	AC0

Y address (AC0~AC5) of the display data RAM is set in the Y address counter.

An address is set by instruction and increased by 1 automatically by read or write operations of display data.

12-3. Set Page (X Address)

RS	R/W	DB7	DB6	DB5	DB4	DB3	DB2	DB1	DB0
0	0	1	0	1	1	1	AC2	AC1	AC0

X address (AC0~AC2) of the display data RAM is set in the X address register.

Writing or reading to or from MPU is executed in this specified page until the next page is set.

12-4. Display Start Line (Z Address)

RS	R/W	DB7	DB6	DB5	DB4	DB3	DB2	DB1	DB0
0	0	1	1	AC5	AC4	AC3	AC2	AC1	AC0

Z address (AC0~AC5) of the display data RAM is set in the display start line register and display at the top of the screen. When the display duty cycle is 1/64 or others (1/32~1/64), the data of total line number of LCD screen, from the line specified by display start line instruction, is displayed.

12-5. Status Read

RS	R/W	DB7	DB6	DB5	DB4	DB3	DB2	DB1	DB0
0	0	BUSY	0	ON/OFF	RESET	0	0	0	0

■ **BUSY**

When BUSY is 1, the Chip is executing internal operation and no instructions are accepted.

When BUSY is 0, the Chip is ready to accept any instructions.

■ **ON/OFF**

When ON/OFF is 1, the display is on.

When ON/OFF is 0, the display is off.

■ **RESET**

When RESET is 1, the system is being initialized.

In this condition is 0, no instructions except status read can be accepted.

When RESET is 0, initialized has finished and the system is in the usual operation condition

12-6. Write Display data

R/W	DB7	DB6	DB5	DB4	DB3	DB2	DB1	DB0
1	D7	D6	D5	D4	D3	D2	D1	D0

Writes data (D0~D7) into the display data RAM.

After writing instruction, Y addressed is increased 1 automatically.

12-7. Read Display data

R/W	DB7	DB6	DB5	DB4	DB3	DB2	DB1	DB0
1	D7	D6	D5	D4	D3	D2	D1	D0

Reads data (D0~D7) from the display data RAM.

After reading instruction, Y addressed is increased 1 automatically.

13. LCD MODULES HANDLING PRECAUTIONS

- Please remove the protection foil of polarizer before using.
- The display panel is made of glass. Do not subject it to a mechanical shock by dropping it from a high place, etc.
- If the display panel is damaged and the liquid crystal substance inside it leaks out, do not get any in your mouth. If the substance come into contact with your skin or clothes promptly wash it off using soap and water.
- Do not apply excessive force to the display surface or the adjoining areas since this may cause the color tone to vary.
- The polarizer covering the display surface of the LCD module is soft and easily scratched. Handle this polarize carefully.
- To prevent destruction of the elements by static electricity, be careful to maintain an optimum work environment.
 - Be sure to ground the body when handling the LCD module.
 - Tools required for assembly, such as soldering irons, must be properly grounded.
 - To reduce the amount of static electricity generated, do not conduct assembly and other work under dry conditions.
 - The LCD module is coated with a film to protect the display surface. Exercise care when peeling off this protective film since static electricity may be generated.
- Storage precautions
When storing the LCD modules, avoid exposure to direct sunlight or to the light of fluorescent lamps. Keep the modules in bags designed to prevent static electricity charging under low temperature / normal humidity conditions (avoid high temperature / high humidity and low temperatures below 0°C). Whenever possible, the LCD modules should be stored in the same conditions in which they were shipped from our company.

14. OTHERS

- Liquid crystals solidify at low temperature (below the storage temperature range) leading to defective orientation of liquid crystal or the generation of air bubbles (black or white). Air bubbles may also be generated if the module is subjected to a strong shock at a low temperature.
- If the LCD modules have been operating for a long time showing the same display patterns may remain on the screen as ghost images and a slight contrast irregularity may also appear. Abnormal operating status can be resumed to be normal condition by suspending use for some time. It should be noted that this phenomena does not adversely affect performance reliability.
- To minimize the performance degradation of the LCD modules resulting from caused by static electricity, etc. exercise care to avoid holding the following sections when handling the modules:
 - Exposed area of the printed circuit board
 - Terminal electrode sections

X-ON Electronics

Largest Supplier of Electrical and Electronic Components

Click to view similar products for [LCD Graphic Display Modules & Accessories](#) category:

Click to view products by [Display Elektronik](#) manufacturer:

Other Similar products are found below :

[NA57W001B](#) [HDM64GS12L-Y11S](#) [LCM-H12864GSFH-Y](#) [MGLS-240128-Z05](#) [GLK19264A-7T-1U-TCI-LV-E](#) [DEM 128032A](#) [FGH](#)
[RG12864F-FHW-M](#) [EGLK19264A-7T-WB-VPT-PL](#) [HG2G-V5FT22TF-W](#) [HG1G-4VT22TF-S](#) [HDM64GS24L-2-Y14S](#) [LTS-2301AP](#) [LTS-](#)
[6760P](#) [LTS-6980HR](#) [RG12864A-GHC-V](#) [RG12864A-GHY-V](#) [RG12864A-TIG-V](#) [RG12864A-TIY-V](#) [RG12864A-YHY-X](#) [RG12864B-](#)
[FHW-V](#) [RG12864B-GHW-V](#) [RG12864C-YHW-V](#) [RG12864K-BIW-VBG](#) [RG160128A-TIW-V](#) [RG240128B-YHY-M](#) [RG320240A1-BIW-V](#)
[RG320240B-BIW-V](#) [RG320240B-FHW-V](#) [DEM 097032A](#) [SGH-PY](#) [DEM 122032A](#) [SYH-LY](#) [DEM 122032C](#) [SBH-PW-N-12](#) [DEM 128064A](#)
[SBH-PW-N](#) [DEM 128064B](#) [SBH-PW-N](#) [DEM 128064F](#) [FGH-P\(RGB\)](#) [DEM 128064G](#) [FGH-PW](#) [DEM 128064I](#) [FGH-PW](#) [DEM 128064J](#)
[SBH-PW-N](#) [DEM 128064O](#) [FGH-PW](#) [DEM 128064Q](#) [SBH-PW-N](#) [DEM 128128D](#) [FGH-PW](#) [DEM 240064B](#) [FGH-PW](#) [DEM 240064B](#) [SBH-](#)
[PW-N](#) [DEM 240160A](#) [SBH-PW-N](#) [DEM 320240B](#) [FGH-PW-N](#) [DEM 320240C](#) [FGH-PW](#) [EA W240-7KHLW](#) [RX12864A1-BIW](#)
[RX12864D3-BIW](#) [RX240128A-FGN](#) [RX240128A-TIW](#)