

DISPLAY Elektronik GmbH

DATA SHEET

LCD MODULE

DEM 40491 SYH-LY

Product Specification

Version : 4.1.1

24/May/2008

GENERAL SPECIFICATION

MODULE NO. :

DEM 40491 SYH-LY

CUSTOMER P/N

| VERSION NO. | CHANGE DESCRIPTION | DATE |
|-------------|-----------------------|------------|
| 0 | ORIGINAL VERSION | 08.02.2001 |
| 1 | CHANGE FUNCTION | 22.02.2001 |
| 2 | CHANGE PIN ASSIGNMENT | 26.02.2001 |
| 3 | CHANGE DDRAM | 27.02.2001 |
| 4 | ADD A/K CONTACT HOLES | 29.03.2001 |
| 4.1.1 | CHANGE IC | 24.05.2008 |
| | | |
| | | |
| | | |
| | | |
| | | |

PREPARED BY: CC

DATE: 24.05.2008

APPROVED BY: MH

DATE: 24.05.2008

CONTENTS

1. FUNCTIONS & FEATURES4

2. MECHANICAL SPECIFICATIONS.....4

3. BLOCK DIAGRAM.....5

4. EXTERNAL DIMENSIONS.....5

6. PCB DRAWING AND DESCRIPTION7

7. BACKLIGHT & CHARACTERISTICS (TA=-20~+70°C)8

8. DISPLAY DATA RAM (DDRAM)9

9. MAXIMUM ABSOLUTE LIMIT9

10. ELECTRICAL CHARACTERISTICS10

11.CONTROL AND DISPLAY COMMAND12

12. STANDARD CHARACTER PATTERN13

13. LCD MODULES HANDLING PRECAUTIONS.....14

14. OTHERS.....14

1. FUNCTIONS & FEATURES

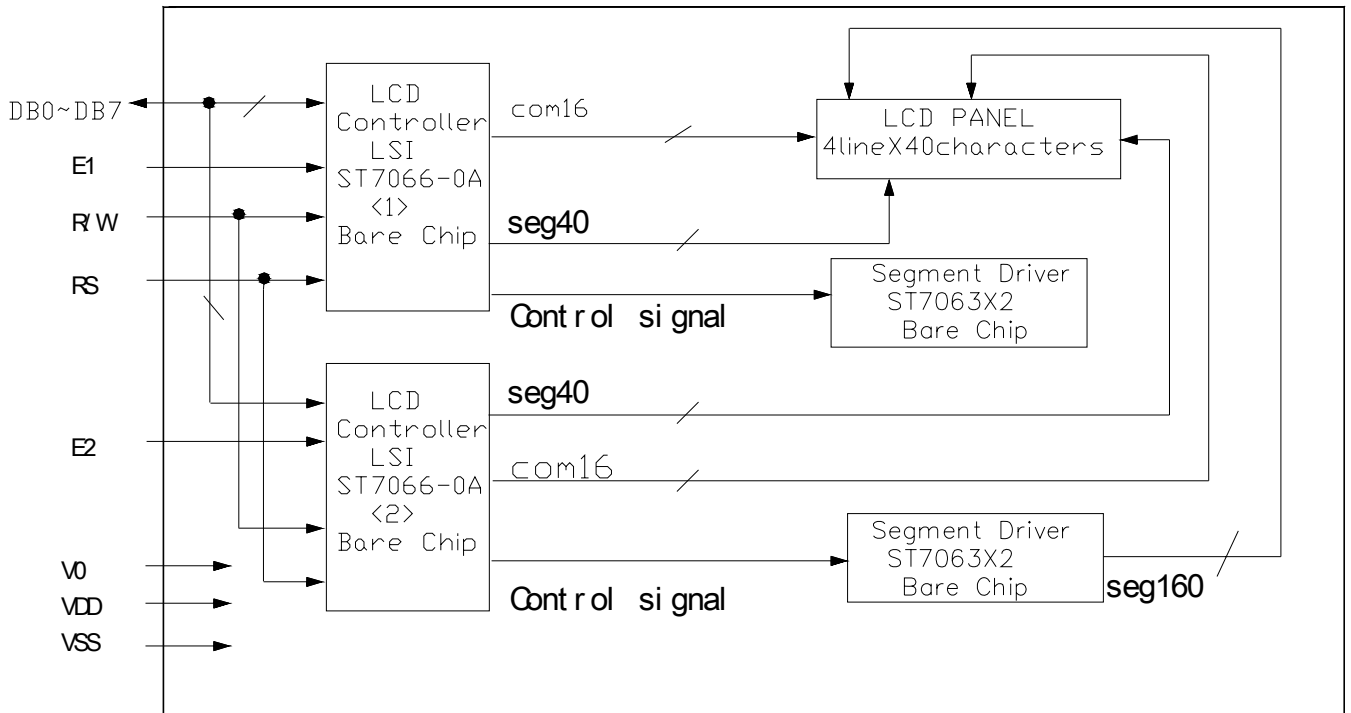
| MODULE NAME | LCD TYPE |
|------------------|--|
| DEM 40491 SYH-LY | STN Yellow-Green Transflective Positive mode |

- Viewing Direction : 6 o'clock
- Driving Scheme : 1/16 Duty Cycle, 1/5 Bias
- Power Supply Voltage : 5.0 Volt (typ.)
- Backlight : LED, Yellow-Green, Lightbox
- V_{LCD} Adjustable for Best Contrast : LCD Drive Voltage:4.5 Volt (typ.)
- Display Format : 40 x 4 Characters (5x8 dots, Format : 208 Kinds)
- Internal Memory : CGROM (10,080 bits)
: CGRAM (64x8 bits)
: DDRAM (80x8 bits for 80 Digits)
- Interface : Easy Interface with a 4-bit or 8-bit MPU
- Operating Temperature : -20°C ~ 70°C
- Storage Temperature : -30°C ~ 80 °C

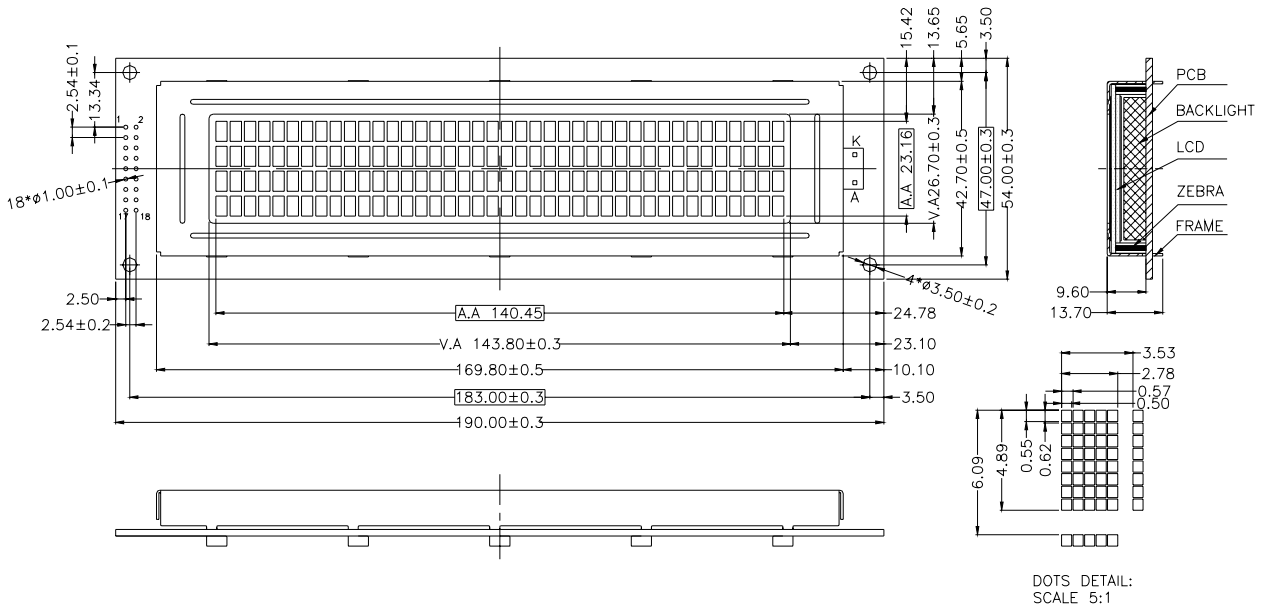
2. MECHANICAL SPECIFICATIONS

- Module Size : 190.00 x 54.00 x 14.00 mm
- Character Pitch : 3.53 x 6.09 mm
- Character Size : 2.78 x 4.89 mm
- Character Font : 5 x 8 dots
- Dot Size : 0.50 x 0.55 mm
- Dot Pitch : 0.57 x 0.62 mm

3. BLOCK DIAGRAM



4. EXTERNAL DIMENSIONS

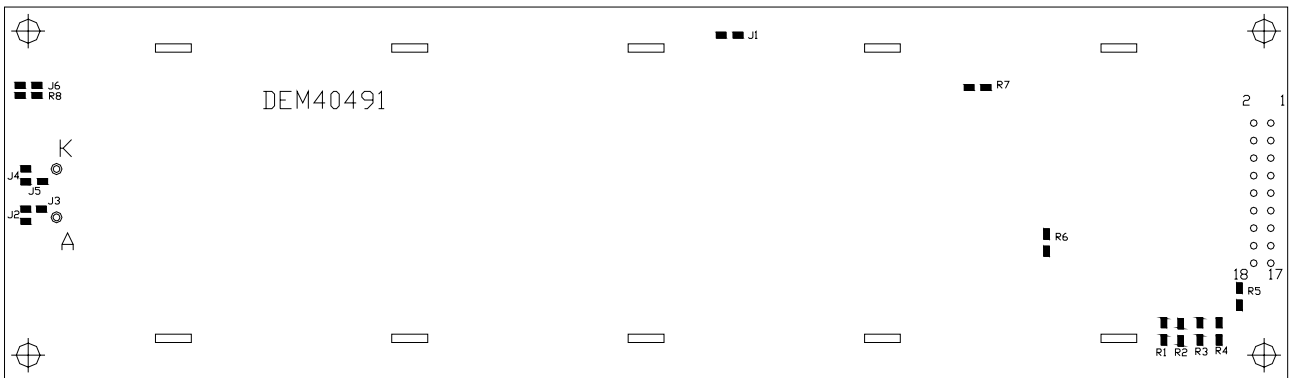


- REMARKS:
- 1.UNMARKED TOLERANCE IS ±0.3mm.
 - 2.ALL MATERIALS COMPLY WITH ROHS.

5. PIN ASSIGNMENT

| Pin No. | Symbol | Function |
|---------|---------|---|
| 1 | DB7 | Display Data Signal |
| 2 | DB6 | |
| 3 | DB5 | |
| 4 | DB4 | |
| 5 | DB3 | |
| 6 | DB2 | |
| 7 | DB1 | |
| 8 | DB0 | |
| 9 | E1 | Read/Write Enable Signal of second ST7066 |
| 10 | R/W | Read or Write Select Signal |
| 11 | RS | Select Display Data ("H") or Instructions ("L") |
| 12 | V0 | Power Supply for LCD |
| 13 | VSS | Ground |
| 14 | VDD | Power supply |
| 15 | E2 | Read/Write Enable Signal of first ST7066 |
| 16 | NC | NO Connect |
| 17 | LED-(K) | Cathode of Backlight |
| 18 | LED+(A) | Anode of Backlight |

6. PCB DRAWING AND DESCRIPTION



Note: The part no. DEM40491 is printed on the PCB.

DESCRIPTION:

6-1-1. The polarity of the pin 17 and the pin 18:

| J3, J5 | J2, J4 | LED Polarity | |
|-------------|-------------|--------------|---------|
| | | 17 Pin | 18 Pin |
| open | Each closed | Anode | Cathode |
| Each closed | open | Cathode | Anode |

6-1-2. The metal-bezel should be on ground when the J1 is solder-Bridge.

Note: In application J1 is closed.

6-1-3. The LED resistor should be bridged when the J6 is solder-Bridge.

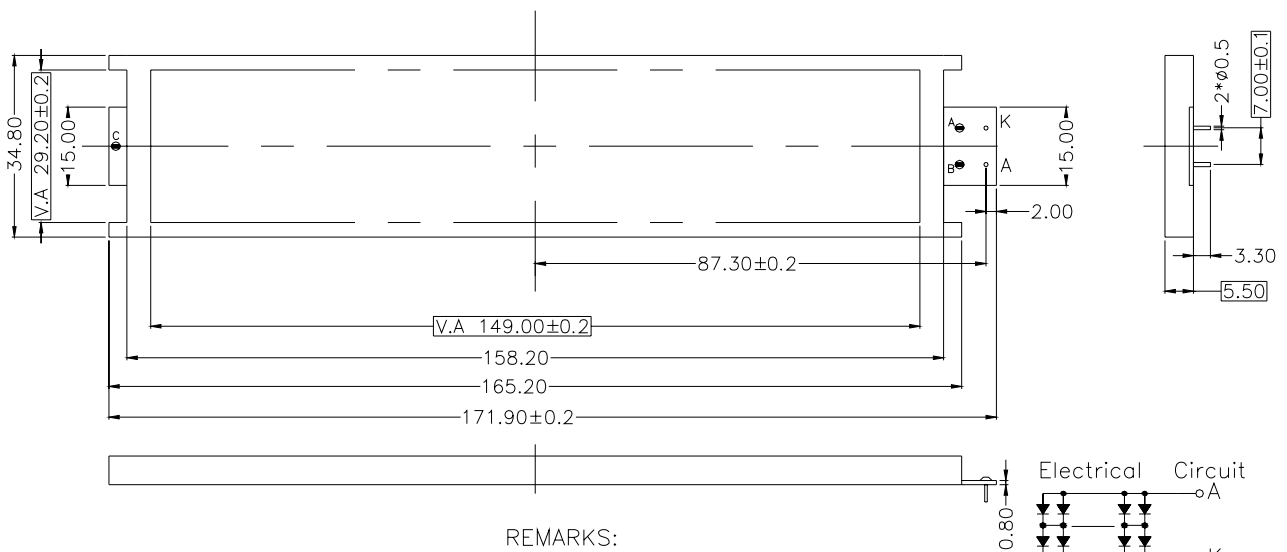
Note: In application J6 is open.

6-1-4. The R8~R11 is the LED resistor.

Note: In application R8=R9=R10=R11=16 Ohm.

7. BACKLIGHT & CHARACTERISTICS (Ta=-20~+70°C)

| | SYMBOL | MIN. | TYP. | MAX. | UNIT | CONDITIONS |
|---------------------|----------------|------|------|------|-------------------|---|
| Forward Voltage | V _f | -- | 4.2 | 4.6 | V | I _f = 500mA |
| Forward Current | I _f | | 500 | 1000 | mA | |
| Power Dissipation | P _d | | 2.05 | | W | I _f = 500mA |
| Reverse Voltage | V _R | | | 10 | V | |
| Reverse Current | I _R | | | 5 | mA | |
| Luminous Intensity | I _v | 160 | 240 | 320 | cd/m ² | I _f = 500mA |
| Luminous Uniformity | | 70 | | | % | I _f = 500mA |
| Emission Wavelength | λ _p | 569 | | 575 | | I _f =10mA Ta=25°C Each chip |



- REMARKS:
1. COLOR:YELLOW-GREEN,
 2. UNMARKED TOLERANCE IS ±0.5.
 3. THE MATERIAL COMPLY WITH RoHs

8. DISPLAY DATA RAM (DDRAM)

| | | | | | | | | | | | | | | | | | | | | | |
|-------------|----|----|----|----|----|----|----|----|----|----|----|----|----|----|----|----|----|----|----|----|--------------------|
| | 1 | 2 | 3 | 4 | 5 | 6 | 7 | 8 | 9 | 10 | 11 | 12 | 13 | 14 | 15 | 16 | 17 | 18 | 19 | 20 | ← DISPLAY POSITION |
| FIRST LINE | 00 | 01 | 02 | 03 | 04 | 05 | 06 | 07 | 08 | 09 | 0A | 0B | 0C | 0D | 0E | 0F | 10 | 11 | 12 | 13 | ← |
| SECOND LINE | 40 | 41 | 42 | 43 | 44 | 45 | 46 | 47 | 48 | 49 | 4A | 4B | 4C | 4D | 4E | 4F | 50 | 51 | 52 | 53 | |
| THIRD LINE | 14 | 15 | 16 | 17 | 18 | 19 | 1A | 1B | 1C | 1D | 1E | 1F | 20 | 21 | 22 | 23 | 24 | 25 | 26 | 27 | |
| FOURTH LINE | 54 | 55 | 56 | 57 | 58 | 59 | 5A | 5B | 5C | 5D | 5E | 5F | 60 | 61 | 62 | 63 | 64 | 65 | 66 | 67 | ← DD RAM ADDRESS |

9. MAXIMUM ABSOLUTE LIMIT

| Item | Symbol | Standard Value | Unit |
|-------------------------|-------------------|--|------|
| Power Supply Voltage(1) | V _{DD} | -0.3~+7.0 | V |
| Power Supply Voltage(2) | V _{LCD} | V _{DD} -15.0~V _{DD} +0.3 | V |
| Input Voltage | V _{IN} | -0.3~V _{DD} +0.3 | V |
| Voltage for Backlight | V _{LED1} | 4~4.5 | V |
| Operating Temperature | T _{opr} | -20~+70 | °C |
| Storage Temperature | T _{stg} | -30~+80 | °C |

*Voltage greater than above may damage to the circuit,

$$V_{DD} \geq V1 \geq V2 \geq V3 \geq V4 \geq V5 .$$

10. ELECTRICAL CHARACTERISTICS

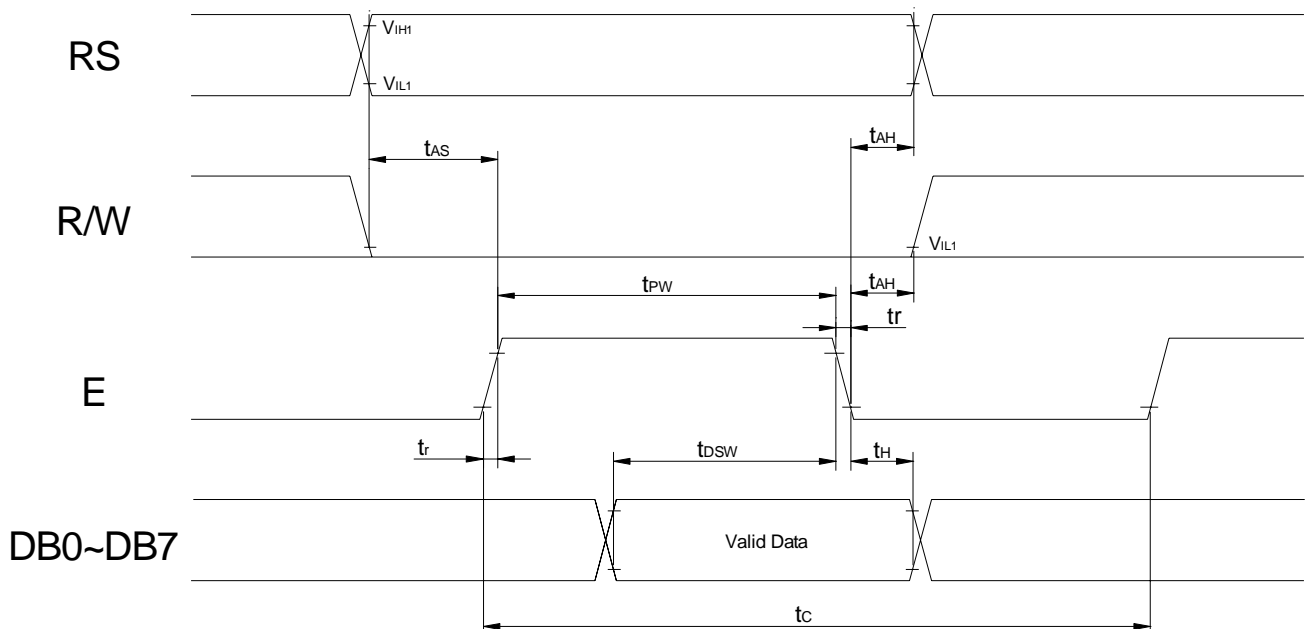
10-1 DC Characteristics ($V_{DD}=4.5V\sim 5.5V, T_a=-20\sim +70^{\circ}C$)

| Item | Symbol | Standard Value | | | Test Condition | Unit |
|---------------------|-----------|----------------|------|------|-----------------------------|------|
| | | MIN | TYP | MAX | | |
| Operating Voltage | V_{DD} | 4.5 | 5 | 5.5 | ----- | V |
| LCD Driving Voltage | V_{LCD} | 3.0 | 4.5 | 13.0 | $V_{DD}-V_5$ | V |
| Supply Current | I_{DD} | ---- | 0.35 | 0.6 | $V_{DD}=5V, f_{osc}=270kHz$ | mA |

10-2 AC Characteristics ($V_{DD}=4.5V\sim 5.5V, T_a=-20\sim +70^{\circ}C$)

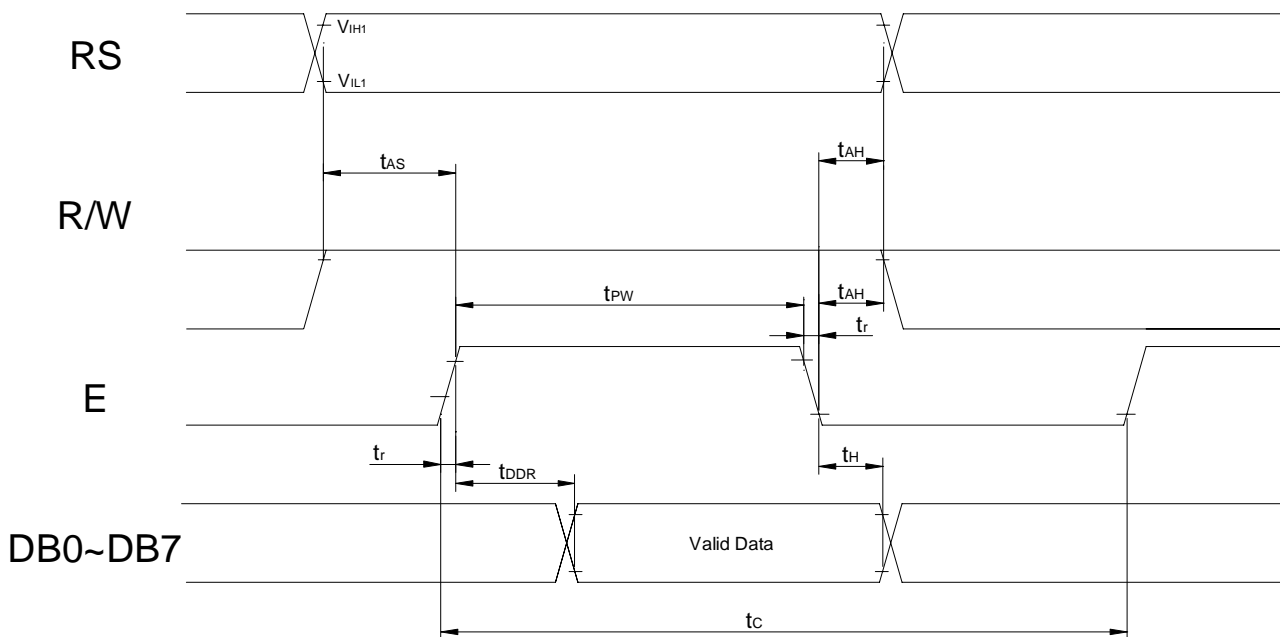
10-2-1 Write mode (writing data from MPU to ST7066)

| Characteristic | Symbol | Min | Type | Max | Unit | Test PIN |
|--------------------|-----------|------|------|-----|------|----------|
| E Cycle Time | t_C | 1200 | --- | --- | ns | E |
| E Rise Time | t_R | --- | --- | 25 | ns | E |
| E Fall Time | t_F | --- | --- | 25 | ns | E |
| E Pulse width | t_W | 140 | --- | --- | ns | E |
| Address Setup Time | t_{SU1} | 0 | --- | --- | ns | R/W,RS,E |
| Address Hold Time | t_{H1} | 10 | --- | --- | ns | R/W,RS,E |
| Data Set-up Time | t_{SU2} | 40 | --- | --- | ns | DB0~DB7 |
| Data Hold Time | t_{H2} | 10 | --- | --- | ns | DB0~DB7 |



10-2-2 Read Mode (Reading Data from ST7066 to MPU)

| Characteristic | Symbol | Min | Type | Max | Unit | Test PIN |
|--------------------|-----------|------|------|-----|------|----------|
| E Cycle Time | t_C | 1200 | --- | --- | ns | E |
| E Rise Time | t_R | --- | --- | 25 | ns | E |
| E Fall Time | t_F | --- | --- | 25 | ns | E |
| E Pulse width | t_{PW} | 140 | --- | --- | ns | E |
| Address Setup Time | t_{AS} | 0 | --- | --- | ns | R/W,RS,E |
| Address Hold Time | t_{AH} | 10 | --- | --- | ns | R/W,RS,E |
| Data Setup Time | t_{DDR} | --- | --- | 100 | ns | DB0~DB7 |
| Data Hold Time | t_H | 10 | --- | --- | ns | DB0~DB7 |



11. CONTROL AND DISPLAY COMMAND

| Command | RS | R/W | DB7 | DB6 | DB5 | DB4 | DB3 | DB2 | DB1 | DB0 | Execution time (fosc=270KHz) | Remark |
|-------------------------|----|-----|-----|-----|-----|-----|-----|-----|-----|-----|------------------------------|--|
| Clear Display | 0 | 0 | 0 | 0 | 0 | 0 | 0 | 0 | 0 | 1 | 1.52ms | Write"20H" to DDRAM. And set DDRAM address to "00H" from AC |
| Return home | 0 | 0 | 0 | 0 | 0 | 0 | 0 | 0 | 1 | x | 1.52ms | Set DDRAM address to "00H" from AC and return cursor to its original position if shifted. The contents of DDRAM are not changed. |
| Entry mode Set | 0 | 0 | 0 | 0 | 0 | 0 | 0 | 1 | I/D | S | 37us | Sets cursor move direction and specifies display shift. These operations are performed during data write and read. |
| Display on/off control | 0 | 0 | 0 | 0 | 0 | 0 | 1 | D | C | B | 37us | D=1: entire display on C=1: cursor on B=1: cursor position on |
| Cursor or Display Shift | 0 | 0 | 0 | 0 | 0 | 1 | S/C | R/L | x | x | 37us | Set cursor moving and display shift control bit, and the direction, without changing DDRAM data. |
| function Set | 0 | 0 | 0 | 0 | 1 | DL | N | F | x | x | 37us | DL: interface data is 8/4 bits N: number of line is 2/1 F: font size is 5x11/5x8 |
| Set CGRAM address | 0 | 0 | 0 | 1 | AC5 | AC4 | AC3 | AC2 | AC1 | AC0 | 37us | Set CGRAM address in address counter |
| Set DDRAM address | 0 | 0 | 1 | AC6 | AC5 | AC4 | AC3 | AC2 | AC1 | AC0 | 37us | Set DDRAM address in address counter |
| Read busy flag& address | 0 | 1 | BF | AC6 | AC5 | AC4 | AC3 | AC2 | AC1 | AC0 | 0us | Whether during internal operation or not can be known by reading BF. The contents of address counter can also be read. |
| Write data to RAM | 1 | 0 | D7 | D6 | D5 | D4 | D3 | D2 | D1 | D0 | 37us | Write data into internal RAM (DDRAM/CGRAM) |
| Read data from RAM | 1 | 1 | D7 | D6 | D5 | D4 | D3 | D2 | D1 | D0 | 37us | Read data from internal RAM (DDRAM / CGRAM) |

Note:

Be sure the ST7066U is not in the busy state (BF=00 before sending an instruction from the MPU to the ST7066U. If an instruction is sent without checking the busy flag, the time between the first instruction and next instruction will take much longer than the instruction time itself. Refer to instruction table for the list of each instruction execution time.

12. STANDARD CHARACTER PATTERN

| Upper/Char | Lower/Char | LLLL | LLH | LLHL | LLHH | LHLL | LHLH | LHHL | LHHH | HLLL | HLLH | HLHL | HLHH | HHLL | HHLH | HHHL | HHHH |
|------------|------------|------|-----|------|------|------|------|------|------|------|------|------|------|------|------|------|------|
| | CG RAM | | | | | | | | | | | | | | | | |
| LLLL | (1) | | | 0 | 1 | 2 | 3 | 4 | 5 | 6 | 7 | 8 | 9 | A | B | C | D |
| LLH | (2) | | | E | F | G | H | I | J | K | L | M | N | O | P | Q | R |
| LLHL | (3) | | | S | T | U | V | W | X | Y | Z | [|] | ^ | _ | ~ | ? |
| LLHH | (4) | | | ! | " | # | \$ | % | & | ' | (|) | * | + | = | > | @ |
| LHLL | (5) | | | ~ | ~ | ~ | ~ | ~ | ~ | ~ | ~ | ~ | ~ | ~ | ~ | ~ | ~ |
| LHLH | (6) | | | ~ | ~ | ~ | ~ | ~ | ~ | ~ | ~ | ~ | ~ | ~ | ~ | ~ | ~ |
| LHHL | (7) | | | ~ | ~ | ~ | ~ | ~ | ~ | ~ | ~ | ~ | ~ | ~ | ~ | ~ | ~ |
| LHHH | (8) | | | ~ | ~ | ~ | ~ | ~ | ~ | ~ | ~ | ~ | ~ | ~ | ~ | ~ | ~ |
| HLLL | (1) | | | ~ | ~ | ~ | ~ | ~ | ~ | ~ | ~ | ~ | ~ | ~ | ~ | ~ | ~ |
| HLLH | (2) | | | ~ | ~ | ~ | ~ | ~ | ~ | ~ | ~ | ~ | ~ | ~ | ~ | ~ | ~ |
| HLHL | (3) | | | ~ | ~ | ~ | ~ | ~ | ~ | ~ | ~ | ~ | ~ | ~ | ~ | ~ | ~ |
| HLHH | (4) | | | ~ | ~ | ~ | ~ | ~ | ~ | ~ | ~ | ~ | ~ | ~ | ~ | ~ | ~ |
| HHLL | (5) | | | ~ | ~ | ~ | ~ | ~ | ~ | ~ | ~ | ~ | ~ | ~ | ~ | ~ | ~ |
| HHLH | (6) | | | ~ | ~ | ~ | ~ | ~ | ~ | ~ | ~ | ~ | ~ | ~ | ~ | ~ | ~ |
| HHHL | (7) | | | ~ | ~ | ~ | ~ | ~ | ~ | ~ | ~ | ~ | ~ | ~ | ~ | ~ | ~ |
| HHHH | (8) | | | ~ | ~ | ~ | ~ | ~ | ~ | ~ | ~ | ~ | ~ | ~ | ~ | ~ | ~ |

13. LCD MODULES HANDLING PRECAUTIONS

- Please remove the protective foil of polarizer before using.
- The display panel is made of glass. Do not subject it to a mechanical shock by dropping it from a high place, etc.
- If the display panel is damaged and the liquid crystal substance inside it leaks out, do not get any in your mouth. If the substance come into contact with your skin or clothes promptly wash it off using soap and water.
- Do not apply excessive force to the display surface or the adjoining areas since this may cause the color tone to vary.
- The polarizer covering the display surface of the LCD module is soft and easily scratched. Handle this polarize carefully.
- To prevent destruction of the elements by static electricity, be careful to maintain an optimum work environment.
 - Be sure to ground the body when handling the LCD module.
 - Tools required for assembly, such as soldering irons, must be properly grounded.
 - To reduce the amount of static electricity generated, do not conduct assembly and other work under dry conditions.
 - The LCD module is coated with a film to protect the display surface. Exercise care when peeling off this protective film since static electricity may be generated.
- Storage precautions
When storing the LCD modules, avoid exposure to direct sunlight or to the light of fluorescent lamps. Keep the modules in bags designed to prevent static electricity charging under low temperature / normal humidity conditions (avoid high temperature / high humidity and low temperatures below 0°C). Whenever possible, the LCD modules should be stored in the same conditions in which they were shipped from our company.

14. OTHERS

- Liquid crystals solidify at low temperature (below the storage temperature range) leading to defective orientation of liquid crystal or the generation of air bubbles (black or white). Air bubbles may also be generated if the module is subjected to a strong shock at a low temperature.
- If the LCD modules have been operating for a long time showing the same display patterns may remain on the screen as ghost images and a slight contrast irregularity may also appear. Abnormal operating status can be resumed to be normal condition by suspending use for some time. It should be noted that this phenomena does not adversely affect performance reliability.
- To minimize the performance degradation of the LCD modules resulting from caused by static electricity, etc. exercise care to avoid holding the following sections when handling the modules:
 - Exposed area of the printed circuit board
 - Terminal electrode sections

X-ON Electronics

Largest Supplier of Electrical and Electronic Components

Click to view similar products for [TFT Displays & Accessories](#) category:

Click to view products by [Display Elektronik](#) manufacturer:

Other Similar products are found below :

[OAI-80038AA-2013-A](#) [HDA430T-3G1H](#) [EA CARREDIPTFT02](#) [NL6448BC20-21D](#) [NB7W-KBA04](#) [NB-ATT01](#) [NB5Q-ATT01](#) [NB5Q-KBA04](#) [NB-CN001](#) [NL12880BC20-05](#) [NL8060BC26-35C](#) [NL8060BC26-35F](#) [TCG104SVLQAPNN-AN20](#) [OAI-80038AA-2008-A](#) [315-U004B15300](#) [UMSH-8596MD-34T \(REV D\)](#) [98-0003-3490-8](#) [1044278](#) [1029309](#) [1060549](#) [DE 127-TU-30/7,5](#) [DE 128-TU-20/7,5](#) [EP-LK007TFTPCAP](#) [FR7.0A00](#) [RC2002A-TIG-CSX](#) [NL6448BC2021C](#) [TX17D01VM2EAB](#) [TX14D23VM5BAA](#)
[TCG121WXLRXVNNANX35](#) [EIC-LCD-1080P](#) [T272480C07VR01](#) [1060632](#) [TCG070WVLPAANN-AN50](#) [TCG035QVLPDANN-GN50](#)
[1060630](#) [RFE430V-AIW-DNG](#) [T-55619GD065J-LW-ABN](#) [NHD-1.8-128160EF-SSXN-FT](#) [TCG104SVLPEANN-AN30](#) [NL6448BC33-70](#)
[NL192108BC18-06F](#) [NLB150XG02L-01](#) [NL6448BC20-30D](#) [NL10276BC16-06](#) [NL192108AC10-01D](#) [NL6448AC18-08F](#) [NL6448BC20-30F](#)
[NL12880BC20-05BD](#) [NL12880BC20-05D](#) [NL8060BC26-35BA](#)