

Isolating transformer, IP43 / IP44

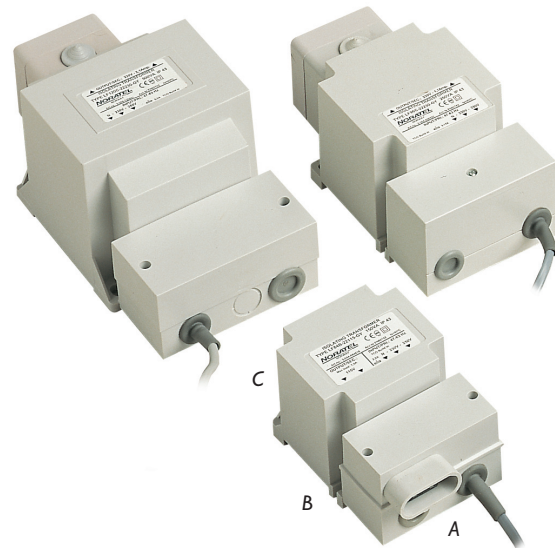


Type LF-GS & LF-GY

Single-phase short circuit proof isolating transformers designed and tested according to EN61558-2-4. Separate insulated windings moulded in self-extinguishing Polyurethane and capsulated in plastic. This protect the transformer against hostile environment such as dust, humidity and corrosion. Short circuit proof with glass tube fuse on the secondary side, and also protection against extremely high temperatures with built in thermal fuse on the primary side. LF-GS are supplied with terminal blocks and cable glands. LF-GY are supplied with 2 meters Euronet-cable, plug and American plug with protection cap. Compact design, fixed installation.

Applications:

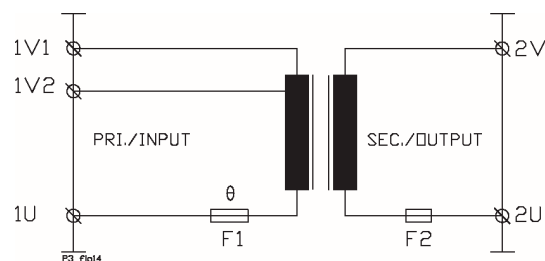
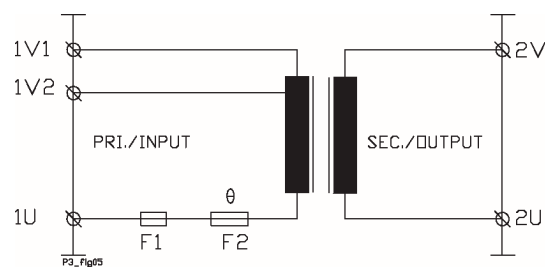
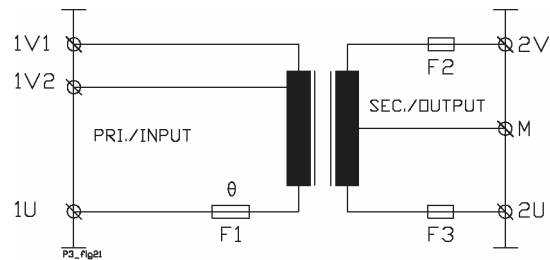
Designed for equipment that requires main voltage/line voltage at 115V (110-120V) e.g. electrical equipment from USA and Canada and for reducing 400V main voltage/line voltage to 230V. Galvanic partition between the primary and secondary side protects installations and equipment by generating "a new system" in which any earth faults are eliminated. Creates a new symmetrical earth point (M) secondary.



Technical specifications

- Input voltage: 230-250V
400-440V
- Frequency: 47-63Hz
- Output voltage: 115V
230V
- According to: EN61558-2-4
- Test/insulating voltage: 4kV AC RMS
- Construction class: II
- Insulation class: B (130°C)
- Ambient temp. (t_a): 40°C
- Degree of protection: IP43 (LF-GY)
IP44 (LF-GS)

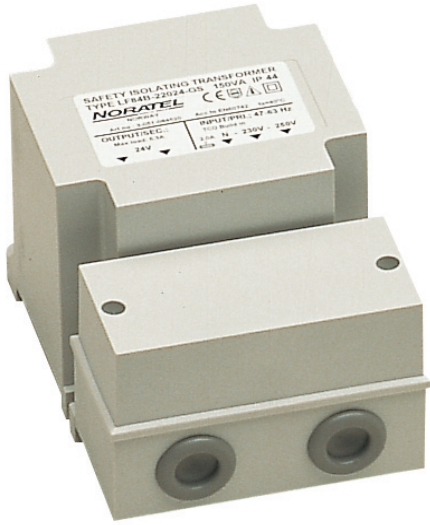
Wiring diagram



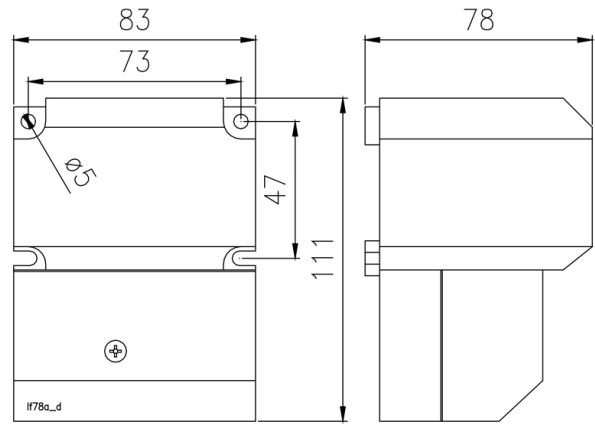
Type	Voltage Pri. (V)	Voltage Sec. (V)	Current Sec. (A)	Power (VA)	Dimensions AxBxC (mm)	Weight (Kg)	Art. no.
230-250/115 V							
LF60B-2115-GY	230	115	0,3	35	66x113x60	1,1	3-054-060616
LF66B-22115-GY	230-250	115	0,5	60	73x133x61	1,5	3-054-066616
LF84B-22115-GY	230-250	115	1,3	150	92x150x87	2,5	3-054-084616
LF96C-22115-GY	230-250	115	2,3	260	106x173x98	4,2	3-054-096816
LF120C-22115-GY	230-250	115	4,4	500	130x202x115	8	3-054-120616
LF150C-22115-GY	230-250	115	8,6	1000	162x235x140	15,3	3-054-150616
230-250/230 V							
LF78A-22230-GY	230-250	230	0,3	60	83x160x78	1,4	3-054-078731
LF84B-22230-GY	230-250	230	0,7	150	92x182x87	2,5	3-054-084731
LF96C-22230-GY	230-250	230	1,1	260	106x205x98	4,2	3-054-096931
LF120C-22230-GY	230-250	230	2,2	500	130x254x115	8	3-054-120931
LF150C-22230-GY	230-250	230	4,3	1000	162x287x140	15	3-054-150931
230-250/115 V							
LF66B-22115-GS	230-250	115	0,5	60	73x124x61	1,3	3-054-066115
LF84A-22115-GS	230-250	115	0,9	105	92x114x83	1,8	3-054-084115
LF84B-22115-GS	230-250	115	1,3	150	92x130x87	2,4	3-054-084615
LF96C-22115-GS	230-250	115	2,3	260	106x153x98	4,2	3-054-096115
LF96CH-22115-GS	230-250	115	2,6	300	106x153x98	4,2	3-054-096615
LF120C-22115-GS	230-250	115	4,3	500	130x202x115	8	3-054-120115
LF150B-22115-GS	230-250	115	6,5	750	162x235x140	12,6	3-054-150115
LF150C-22115-GS	230-250	115	8,7	1000	162x235x140	15,2	3-054-156115
230-250/230 V							
LF66B-22230-GS	230-250	230	0,25	60	73x124x61	1,3	3-054-066230
LF84A-22230-GS	230-250	230	0,45	105	92x114x83	1,8	3-054-084230
LF84B-22230-GS	230-250	230	0,65	150	92x130x87	2,4	3-054-084623
LF96C-22230-GS	230-250	230	1,13	260	106x153x98	4,2	3-054-096230
LF96CH-22230-GS	230-250	230	1,3	300	106x153x98	4,2	3-054-096623
LF120C-22230-GS	230-250	230	2,17	500	130x202x115	8	3-054-120230
LF150B-22230-GS	230-250	230	3,26	750	162x235x140	12,6	3-054-150230
LF150C-22230-GS	230-250	230	4,3	1000	162x235x140	15,2	3-054-156230
400-440/230 V							
LF66B-44230-GS	400-440	230	0,25	60	73x124x61	1,3	3-054-066823
LF84A-44230-GS	400-440	230	0,45	105	92x114x83	1,8	3-054-084423
LF84B-44230-GS	400-440	230	0,65	150	92x130x87	2,4	3-054-084223
LF96C-44230-GS	400-440	230	1,13	260	106x153x98	4,2	3-054-096423
LF96CH-44230-GS	400-440	230	1,3	300	106x153x98	4,2	3-054-096223
LF120C-44230-GS	400-440	230	2,17	500	130x202x115	8	3-054-124230
LF150B-44230-GS	400-440	230	3,2	750	162x235x140	12,6	3-054-150400
LF150C-44230-GS	400-440	230	4,35	1000	162x235x140	15,2	3-054-157230

▪ Information on losses and short-circuit currents on page I-18 & I-19

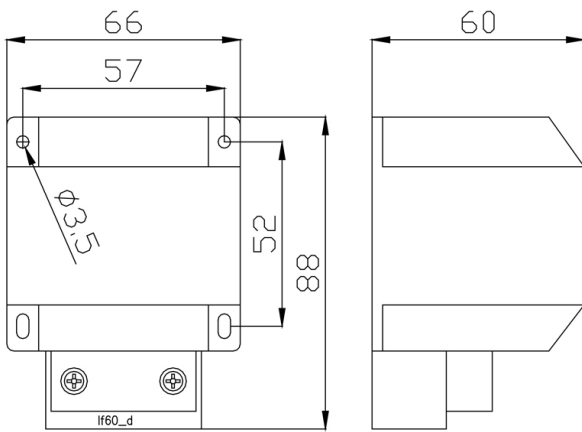
Isolating transformer, Type LF-GS



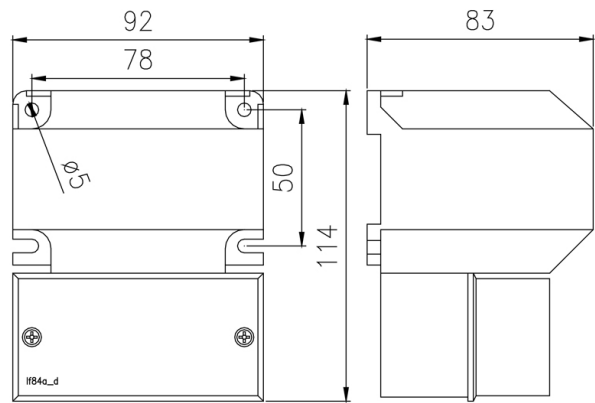
LF78A



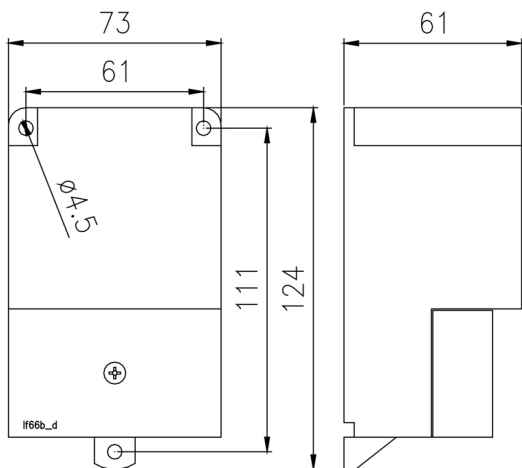
LF60



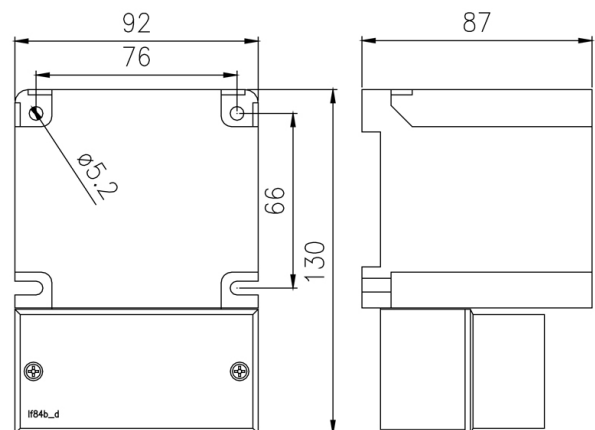
LF84A



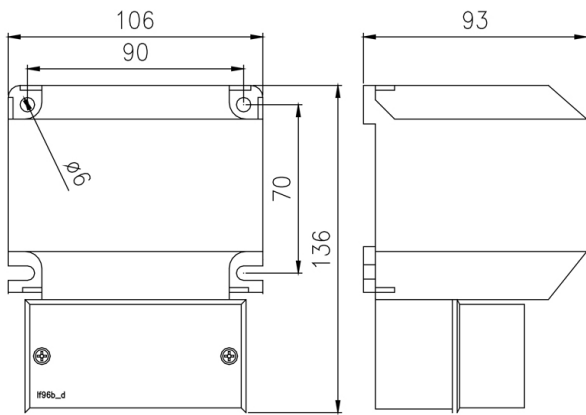
LF66A / LF66B



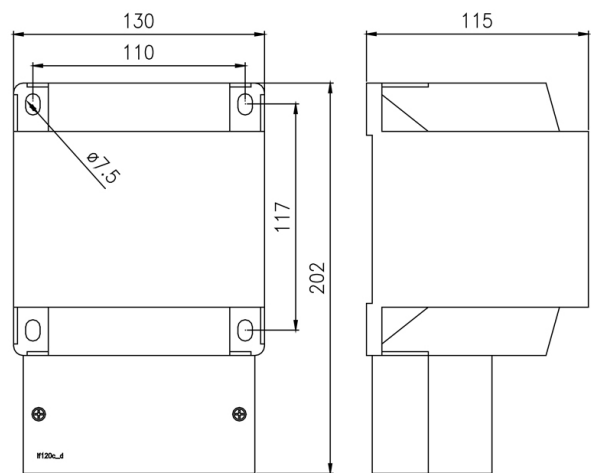
LF84B



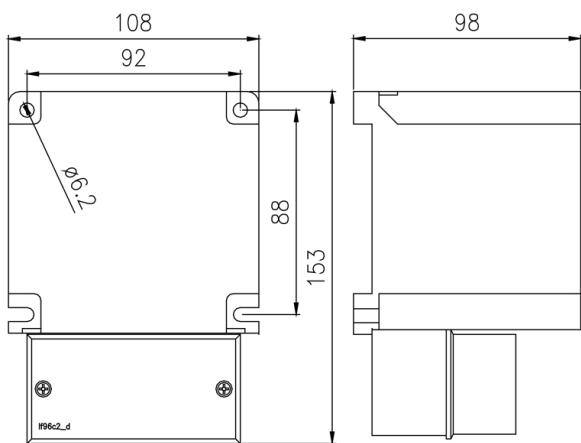
LF96B



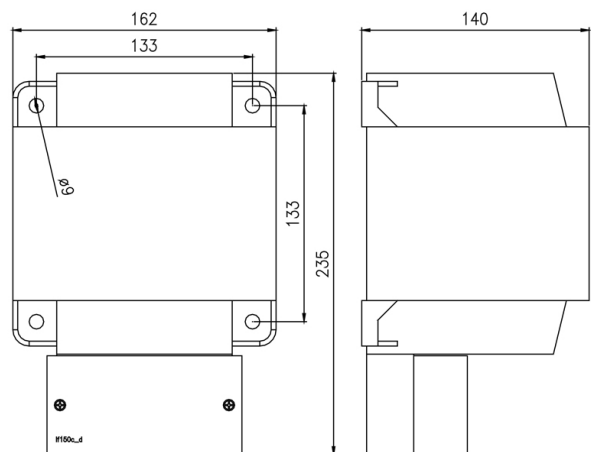
LF120C



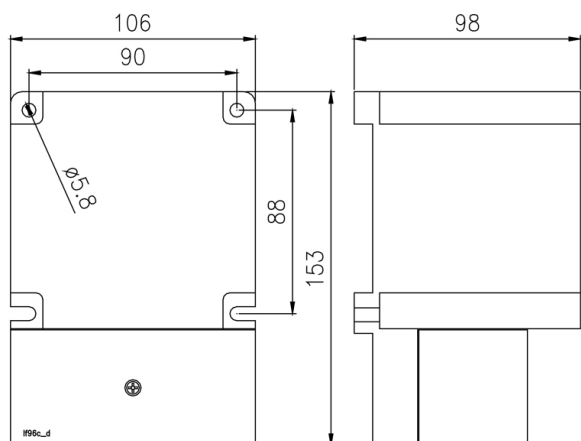
LF96C2 / LF96CH2



LF150B / LF150C / LF150CH



LF96C / LF96CH



X-ON Electronics

Largest Supplier of Electrical and Electronic Components

Click to view similar products for [Signal Conditioning](#) category:

Click to view products by [Noratel](#) manufacturer:

Other Similar products are found below :

[MAPDCC0004](#) [PD0409J5050S2HF](#) [880157](#) [HHS-109-PIN](#) [DC1417J5005AHF](#) [DC4859J5005AHF](#) [AFS14A30-2185.00-T3](#) [AFS14A35-1591.50-T3](#) [DS-323-PIN](#) [DSS-313-PIN](#) [B39321R801H210](#) [B39321R821H210](#) [B39921B4317P810](#) [1A0220-3](#) [2089-6207-00](#) [JP510S](#) [LFB212G45SG8C341](#) [LFB322G45SN1A504](#) [LFL182G45TC3B746](#) [SF2159E](#) [30057](#) [1P510S](#) [CER0813B](#) [3A325](#) [40287](#) [41180](#) [ATB3225-75032NCT](#) [B69842N5807A150](#) [BD0810N50100AHF](#) [BD2326L50200AHF](#) [BD2425J50200AHF](#) [HMC189AMS8TR](#) [C5060J5003AHF](#) [JHS-114-PIN](#) [JP503AS](#) [DC0710J5005AHF](#) [DC2327J5005AHF](#) [DC3338J5005AHF](#) [43020](#) [LFB2H2G60BB1C106](#) [LFL15869MTC1B787](#) [X3C19F1-20S](#) [XC3500P-20S](#) [10013-20](#) [SF2081E](#) [SF2194E](#) [SF2238E](#) [CDBLB455KCAX39-B0](#) [RF1353C](#) [PD0922J5050D2HF](#)