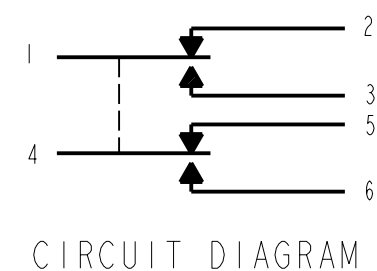


M

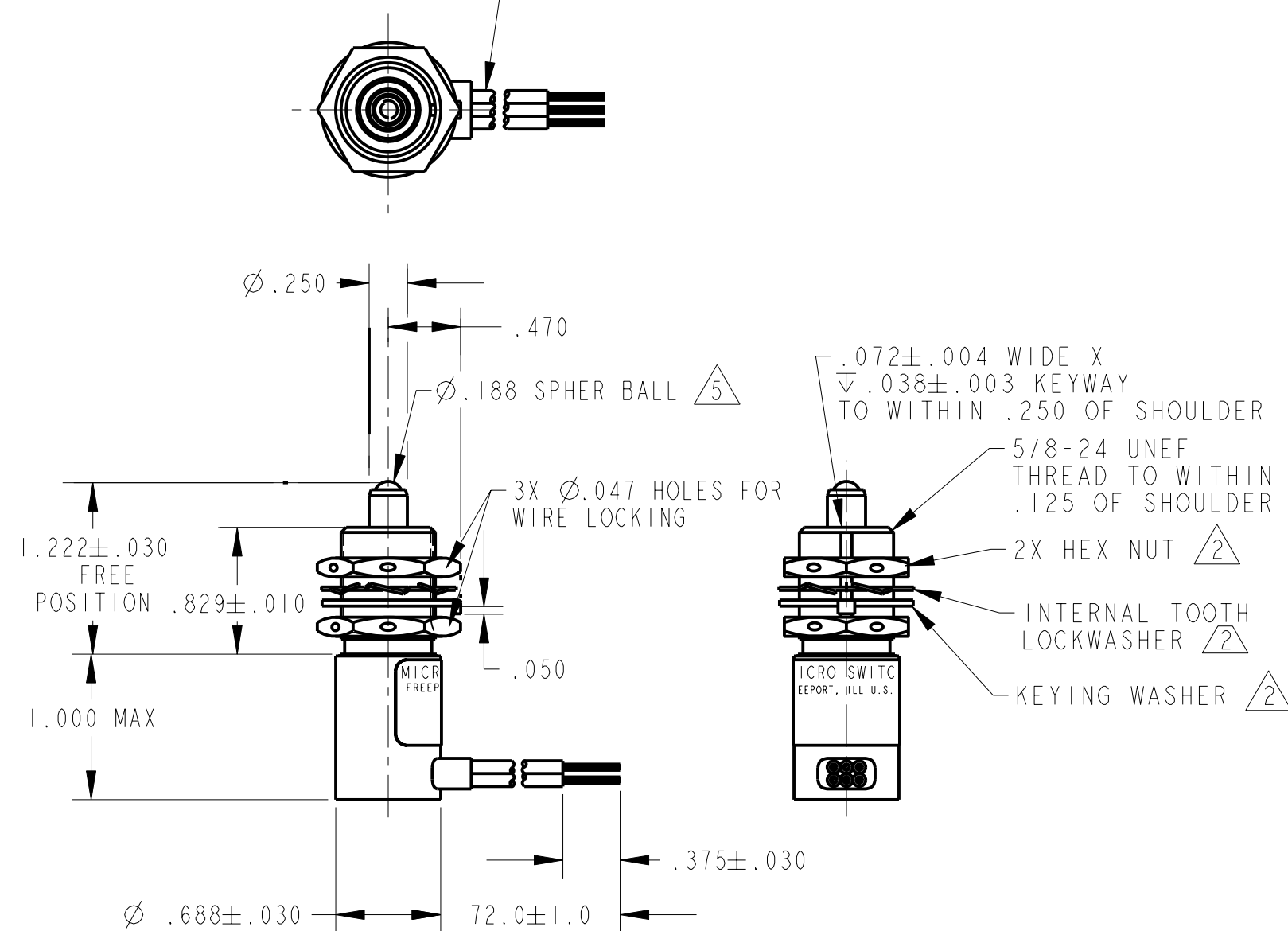
4402EN222-6

## SPECIFICATION DETAILS:

STANDARD:	CONFORMS TO MS27240-3 (MIL-PRF-8805/39), EXCEPT AS NOTED		
CONSTRUCTION:	RESILIENT SEAL PER MIL-PRF-8805, SYMBOL 4		
ENCLOSURE DESIGN	SILVER PROJECTION, GOLD PLATED CONTACTS		
CONTACT MATERIAL & CONFIGURATION	2 SPDT		
CIRCUIT CONFIGURATION	LEADWIRE PER MIL-W-22759/34		
TERMINATION	4.0 OZS MAX		
WEIGHT	CORROSION RESISTANT STAINLESS STEEL		
EXPOSED METALS			
ELECTRICAL CHARACTERISTICS:			
ELECTRICAL RATINGS	<u>VOLTAGE</u>	<u>RESISTIVE</u>	<u>LOAD INDUCTIVE</u>
-SEA LEVEL	28VDC	7A	2.5A
-50,000 FEET	28VDC	7A	1.0A
DIELECTRIC STRENGTH & INSULATION RESISTANCE	<u>DIELECTRIC STRENGTH</u> ( $\approx$ 60 Hz, FOR 5 SECONDS)	<u>INSULATION RESISTANCE</u> (500 VDC $\pm$ 10%)	
-BETWEEN TERMINALS AND EXPOSED NON-CURRENT CARRYING METAL	1000 V Rms, 500 $\mu$ A (MAX LEAKAGE)	1000 Megohm MIN	
-BETWEEN TERMINALS OF MUTUALLY INSULATED CIRCUITS	1000 V Rms, 500 $\mu$ A (MAX LEAKAGE)	1000 Megohm MIN	
-BETWEEN ALL UNCONNECTED TERMINALS OF THE SAME POLE	1000 V Rms, 500 $\mu$ A (MAX LEAKAGE)	1000 Megohm MIN	
SWITCH RESISTANCE	6 VDC/.100 A; 200 MILLIOHMS MAX		
RECOMMENDATION OR USE IN APPLICATIONS LESS THAN .5 AMPS AND/OR 12 VOLTS	$\triangle$ 3		
MECHANICAL CHARACTERISTICS:			
CHARACTERISTICS:			
COINCIDENCE OF OPERATING AND RELEASING POINTS	.010 OF PLUNGER TRAVEL		
OPERATING FORCE	3-6 LBS		
FULL OVERTRAVEL FORCE	17 LB MAX		
RELEASE FORCE	2 LB MIN		
PRETRAVEL	.040 MAX		
DIFFERENTIAL TRAVEL	.020 MAX		
OVERTRAVEL	.125 MIN		
MOUNTING STRENGTH	15 IN-LBS		
ACTUATOR STRENGTH	30 LBS APPLIED IN A DIRECTION TO CAUSE SWITCH ACTUATION		
LIFE:			
MECHANICAL LIFE	PER MIL-PRF-8805/39 $\triangle$ 4		
ELECTRICAL LIFE AT FULL RATED LOAD	PER MIL-PRF-8805/39 $\triangle$ 4		
ENVIRONMENTAL:			
TEMPERATURE RANGE	-55° C TO +85° C		
ALTITUDE RANGE	SEA LEVEL TO 50,000 FEET		
SHOCK	PER MIL-PRF-8805 SYMBOL M - 100 g		
VIBRATION, RANDOM	PER MIL-PRF-8805 SYMBOL 2 - 10-2000 Hz & 15 g PEAK		
MOISTURE RESISTANCE	PER MIL-PRF-8805		
THERMAL SHOCK	PER MIL-PRF-8805		
SALT SPRAY	PER MIL-PRF-8805		
SAND AND DUST	PER MIL-PRF-8805, METHOD 1		
TERMINAL STRENGTH	15 LBS		



6X NO. 22 WIRE LEADS PER M22759/32-22-9 MARKED WITH CIRCUIT IDENTIFICATION AND WIRE GAGE (1-22, 2-22 ETC) PER MIL-W-5088



## NOTES

- 1 - CIRCUIT DIAGRAM AND CATALOG LISTING SHOWN ON NAMEPLATE
- $\triangle$  2 - HARDWARE MAY BE PACKAGED UNASSEMBLED PER MIL-PRF-8805. NUT: .81 ACROSS FLATS X .125 THICK (MS 21340-05), INTERNAL TOOTH:  $\varnothing$ .87 X (.022) KEYWASHER  $\varnothing$ .87 X .040 THICK, TAB .110 WIDE
- $\triangle$  3 - CONTACT HONEYWELL-MICRO SWITCH IF ADDITIONAL INFORMATION ON LOW ENERGY LOADS IS REQUIRED OR FOR HELP WITH SPECIFIC APPLICATIONS
- $\triangle$  4 - LIFE RATINGS ARE PER MIL-PRF-8805 REQUIREMENTS. ACTUAL LIFE EXCEEDS RATED LIFE. CONTACT HONEYWELL-MICRO SWITCH FOR ADDITIONAL DATA
- $\triangle$  5 - ROLLER BALL BEARING PLUNGER FOR USE WITH 20° MAX RISE ON CAM OR SLIDE ACTUATION

THIS DRAWING COVERS A PROPRIETARY ITEM AND IS THE PROPERTY OF MICRO SWITCH, A DIVISION OF HONEYWELL. THIS DRAWING IS NOT TO BE COPIED OR USED WITHOUT THE APPROVAL OF MICRO SWITCH.

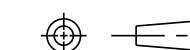
**MICRO SWITCH**  
a Honeywell Division

SWITCH-ENCLOSED

CATALOG LISTING  
4402EN222-6

FED. MFG. CODE 91929

THIRD ANGLE PROJECTION



SCALE FULL

DO NOT SCALE PRINT

UNLESS OTHERWISE SPECIFIED TOLERANCES ARE

ONE PLACE	(.0)	$\pm$ .030
TWO PLACES	(.00)	$\pm$ .015
THREE PLACES	(.000)	$\pm$ .005
ANGLES		$\pm$

WEIGHT

ANSI Y14.5M-1982 APPLIES

4402EN222-6

5

REVISIONS

A

200824

TSM

14JUL00

CHECK

14JUL00

CHECK

14JUL00

CHECK

14JUL00

CHECK

14JUL00

CHECK

14JUL00

CHECK

14JUL00

CHECK

14JUL00

CHECK

14JUL00

CHECK

14JUL00

CHECK

14JUL00

CHECK

14JUL00

CHECK

14JUL00

CHECK

14JUL00

CHECK

## X-ON Electronics

Largest Supplier of Electrical and Electronic Components

*Click to view similar products for [Basic / Snap Action Switches](#) category:*

*Click to view products by [Honeywell](#) manufacturer:*

Other Similar products are found below :

[83228001](#) [01.098.1358.1](#) [602EN1-6B](#) [602EN532](#) [602EN535-RB](#) [602HE5-RB1](#) [604HE162](#) [604HE223-6B](#) [624HE17-RB](#) [6HM89](#) [6PA78-JM](#)  
[6SE1](#) [6SX1-H58](#) [70500840](#) [MBD5B1](#) [MBH2731](#) [73-316-0012](#) [79211759](#) [79211923](#) [79218589](#) [7AS12](#) [ML-1155](#) [ML-1376](#) [831010C3.0](#)  
[831060C3.TL](#) [831090C2.EL](#) [83131904](#) [84212012](#) [8AS239](#) [8HM73-3](#) [903VB1-PG](#) [914CE1-6G](#) [PL-100](#) [11SM1077-H4](#) [11SM1077-H58](#)  
[11SM1-TN107](#) [11SM405](#) [11SM703-T](#) [11SM8423-H2](#) [11SX37-T](#) [11SX48-H58](#) [11SX55-H58](#) [11SM2442-T](#) [11SM76-T](#) [11SM77-H58](#)  
[11SM77-T](#) [11SM863-T](#) [11SM866](#) [11SX47-H58](#) [A7CN-1M-1-LEFT](#)